

ELECTRONIC VALVE SPECIFICATION
SPECIFICATION MOS/CV2436-43 ISSUE 2 DATED AUGUST, 1958

AMENDMENT No.1

Page 3

Note Y

Under "Dimension of Pattern", line 3:-

<u>Amend</u>	CV 2438	65mm x 73mm
<u>to read</u>	CV 2438	65mm x 63mm

R.R.E.

July, 1959
N.70910

ELECTRONIC VALVE SPECIFICATIONS

SPECIFICATION MOS/CV2436-43

ISSUE 2 DATED AUGUST 1958

AMENDMENT No.2

Page 5. Amend:- Distance between the end terminal and 36.1 ring gauge plane to read 147 ± 5 instead of 155 ± 3 .

February, 1960
N.16340

R.R.E.

MINISTRY OF SUPPLY/R.R.E.

VALVE ELECTRONIC

CV2436-43

Specification MOS/CV2436-CV2443 Issue 2, dated:- August, 1958. To be read in conjunction with K1001 and BS448		Security Specification Unclassified		Valve Unclassified																																		
← Indicates a change																																						
TYPE OF VALVE:- Monoscope TYPE OF DEFLECTION:- Magnetic TYPE OF FOCUS Electrostatic BULB:- Glass, internally and externally coated with a conductive coating. PROTOTYPE:- VCRX389 PATTERNS:- See note A			MARKING See K1001/4																																			
			BASE B8-0 See BS 448																																			
			CONNECTIONS																																			
			<table border="1"> <thead> <tr> <th>PIN</th> <th></th> <th></th> </tr> </thead> <tbody> <tr> <td>1</td> <td></td> <td>Int. Connection</td> </tr> <tr> <td>2</td> <td>a₁</td> <td></td> </tr> <tr> <td>3</td> <td>a₂</td> <td>Int. Connection</td> </tr> <tr> <td>4</td> <td></td> <td></td> </tr> <tr> <td>5</td> <td>g.</td> <td></td> </tr> <tr> <td>6</td> <td>k.</td> <td></td> </tr> <tr> <td>7</td> <td>h.</td> <td></td> </tr> <tr> <td>8</td> <td>h.</td> <td></td> </tr> <tr> <td>Side contact</td> <td>a₃</td> <td></td> </tr> <tr> <td>End terminal</td> <td></td> <td>sig. plate</td> </tr> </tbody> </table>			PIN			1		Int. Connection	2	a ₁		3	a ₂	Int. Connection	4			5	g.		6	k.		7	h.		8	h.		Side contact	a ₃		End terminal		sig. plate
PIN																																						
1		Int. Connection																																				
2	a ₁																																					
3	a ₂	Int. Connection																																				
4																																						
5	g.																																					
6	k.																																					
7	h.																																					
8	h.																																					
Side contact	a ₃																																					
End terminal		sig. plate																																				
RATING																																						
Heater Voltage	(V)	4.0																																				
Heater Current	(A)	1.0																																				
Max. Va3	(KV)	7																																				
Max. Va1	(KV)	1.4																																				
Max. Va3 - sig. plate	(V)	200																																				
Min. Va3 - sig. plate	(V)	50																																				
Max. Beam current.	(uA)	250																																				
TYPICAL OPERATING CONDITIONS																																						
Va3	(KV)	5																																				
Va2	(V)	830																																				
Va1	(V)	1250																																				
Sig. plate to a3	(V)	-100																																				
Vg for cut off	(V)	-70																																				
R _L	(kohms)	1 to 5																																				
I _b	(uA)	5																																				
Peak to Peak I sig.	(uA)	I _b to I _b 4 2																																				
			SIDE CONTACT CT7. See BS 448 or adapted to CT7 from CT8, using adaptor on Page 6																																			
			END TERMINAL OBA Stud																																			
CAPACITANCES			DIMENSIONS See drawing Page 5																																			
Max Cg - all	(pf)	20																																				
Max Ck - all	(pf)	15																																				
Max C sig. p. - all	(pf)	10																																				
Notes A. CV2436 to CV2443 identical monoscopes except for the patterns illustrated on Page 4.																																						

CV2436-CV2443/2/1

Z.18937.

MINISTRY OF SUPPLY/R.R.E.

VALVE ELECTRONIC

CV2436-43

Specification MOS/CV2436-CV2443 Issue 2, dated:- August, 1958. To be read in conjunction with K1001 and BS448		Security Specification Unclassified		Valve Unclassified																																		
← Indicates a change																																						
<u>TYPE OF VALVE:-</u> Monoscope <u>TYPE OF DEFLECTION:-</u> Magnetic <u>TYPE OF FOCUS</u> Electrostatic <u>BULB:-</u> Glass, internally and externally coated with a conductive coating. <u>PROTOTYPE:-</u> VCRX389 <u>PATTERNS:-</u> See note A		<u>MARKING</u> See K1001/4																																				
		<u>BASE</u> B8-0 See BS 448																																				
		<u>CONNECTIONS</u>																																				
		<table border="1"> <thead> <tr> <th>PIN</th> <th></th> <th></th> </tr> </thead> <tbody> <tr> <td>1</td> <td></td> <td>Int. Connection</td> </tr> <tr> <td>2</td> <td>a₁</td> <td></td> </tr> <tr> <td>3</td> <td>a₂</td> <td>Int. Connection</td> </tr> <tr> <td>4</td> <td></td> <td></td> </tr> <tr> <td>5</td> <td>g.</td> <td></td> </tr> <tr> <td>6</td> <td>k.</td> <td></td> </tr> <tr> <td>7</td> <td>h.</td> <td></td> </tr> <tr> <td>8</td> <td>h.</td> <td></td> </tr> <tr> <td>Side contact</td> <td>a₃</td> <td></td> </tr> <tr> <td>End terminal</td> <td></td> <td>sig. plate</td> </tr> </tbody> </table>				PIN			1		Int. Connection	2	a ₁		3	a ₂	Int. Connection	4			5	g.		6	k.		7	h.		8	h.		Side contact	a ₃		End terminal		sig. plate
PIN																																						
1		Int. Connection																																				
2	a ₁																																					
3	a ₂	Int. Connection																																				
4																																						
5	g.																																					
6	k.																																					
7	h.																																					
8	h.																																					
Side contact	a ₃																																					
End terminal		sig. plate																																				
<u>RATING</u>																																						
Heater Voltage	(V)	4.0																																				
Heater Current	(A)	1.0																																				
Max. Va3	(kV)	7																																				
Max. Va1	(kV)	1.4																																				
Max. Va3 - sig. plate	(V)	200																																				
Min. Va3 - sig. plate	(V)	50																																				
Max. Beam current.	(uA)	250																																				
<u>TYPICAL OPERATING CONDITIONS</u>																																						
Va3	(kV)	5																																				
Va2	(V)	830																																				
Va1	(V)	1250																																				
Sig. plate to a3	(V)	-100																																				
Vg for cut off	(V)	-70																																				
R _L	(kohms)	1 to 5																																				
I _b	(uA)	5																																				
Peak to Peak I sig.	(uA)	I _b to I _b 4 2																																				
<u>CAPACITANCES</u>																																						
Max Cg - all	(pf)	20																																				
Max Ck - all	(pf)	15																																				
Max C sig. p. - all	(pf)	10																																				
		<u>SIDE CONTACT</u> CT7. See BS 448 or adapted to CT7 from CT8, using adaptor on Page 6																																				
		<u>END TERMINAL</u> OBA Stud																																				
		<u>DIMENSIONS</u> See drawing Page 5																																				
<u>Notes</u> A. CV2436 to CV2443 identical monoscopes except for the patterns illustrated on Page 4.																																						

CV2436-CV2443/2/1

Z.18937.

NOTESY. Signal plate patterns

The pattern shall be centred on the signal plate.

<u>Dimension of pattern</u>			<u>R.R.E. Ref. No.</u>
CV2436	75	mm x 5.5 mm	R5595
CV2437	56.5	mm x 3.5 mm	R5596
CV2438	65	mm x 73 mm	R5597
CV2439	65.5	mm x 71.5 mm	R6128
CV2440	76.5	mm x 98.5 mm	R5600
CV2441	67.25	mm x 86.5 mm	R5711
CV2442	65	mm x 87 mm	R6059
CV2443	46	mm x 3.5 mm	R6060

In the manufacture of these signal plates, a "Contact Print" from a master negative issued by R.R.E. must be used and not scaled reproduction from the illustrations on page 4, because of possible size distortion.

- Z. The vertical axis of the signal plate shall be within $\pm 10^\circ$ of the axis through the side contact and the axis of the tube. The top of the signal plate shall be on the same side of the tube as the side contact.

CV 2436

○ U F H E M X

CV 2438

○ 11 12 13 14 15 16 17 18
 ○ 19 20 21 22 23 24 25 26
 ○ 27 28 29 30 31 32 33 34
 ○ 35 36 37 38 39 40 41 42
 ○ 43 44 45 46 47 48 49 50
 ○ 51 52 53 54 55 56 57 58
 ○ 59 60 61 62 63 64 65 66
 ○ 67 68 69 70 71 72 73 74
 ○ 75 76 77 78 79 80 81 82
 ○ 83 84 85 86 87 88 89 90
 ○ 91 92 93 94 95 96 97 98
 ○ 99 100 101 102 103 104
 ○ 105 106 107 108 109 110
 ○ 111 112 113 114 115 116
 ○ 117 118 119 120 121 122
 ○ 123 124 125 126 127 128
 ○ 129 130 131 132 133 134
 ○ 135 136 137 138 139 140
 ○ 141 142 143 144 145 146
 ○ 147 148 149 150 151 152
 ○ 153 154 155 156 157 158
 ○ 159 160 161 162 163 164
 ○ 165 166 167 168 169 170
 ○ 171 172 173 174 175 176
 ○ 177 178 179 180 181 182
 ○ 183 184 185 186 187 188
 ○ 189 190 191 192 193 194
 ○ 195 196 197 198 199 200

CV 2440

○ 11 12 13 14 15 16 17 18
 ○ 19 20 21 22 23 24 25 26
 ○ 27 28 29 30 31 32 33 34
 ○ 35 36 37 38 39 40 41 42
 ○ 43 44 45 46 47 48 49 50
 ○ 51 52 53 54 55 56 57 58
 ○ 59 60 61 62 63 64 65 66
 ○ 67 68 69 70 71 72 73 74
 ○ 75 76 77 78 79 80 81 82
 ○ 83 84 85 86 87 88 89 90
 ○ 91 92 93 94 95 96 97 98
 ○ 99 100 101 102 103 104
 ○ 105 106 107 108 109 110
 ○ 111 112 113 114 115 116
 ○ 117 118 119 120 121 122
 ○ 123 124 125 126 127 128
 ○ 129 130 131 132 133 134
 ○ 135 136 137 138 139 140
 ○ 141 142 143 144 145 146
 ○ 147 148 149 150 151 152
 ○ 153 154 155 156 157 158
 ○ 159 160 161 162 163 164
 ○ 165 166 167 168 169 170
 ○ 171 172 173 174 175 176
 ○ 177 178 179 180 181 182
 ○ 183 184 185 186 187 188
 ○ 189 190 191 192 193 194
 ○ 195 196 197 198 199 200

CV 2442

○ 1A 2A 3A 4A 5A 6A 7A 8A
 ○ 9A 10A 11A 12A 13A 14A 15A
 ○ 16A 17A 18A 19A 20A 21A 22A
 ○ 23A 24A 25A 26A 27A 28A 29A
 ○ 30A 31A 32A 33A 34A 35A 36A
 ○ 37A 38A 39A 40A 41A 42A 43A
 ○ 44A 45A 46A 47A 48A 49A 50A
 ○ 51A 52A 53A 54A 55A 56A 57A
 ○ 58A 59A 60A 61A 62A 63A 64A
 ○ 65A 66A 67A 68A 69A 70A 71A
 ○ 72A 73A 74A 75A 76A 77A 78A
 ○ 79A 80A 81A 82A 83A 84A 85A
 ○ 86A 87A 88A 89A 90A 91A 92A
 ○ 93A 94A 95A 96A 97A 98A 99A
 ○ 100A 101A 102A 103A 104A 105A
 ○ 106A 107A 108A 109A 110A 111A
 ○ 112A 113A 114A 115A 116A 117A
 ○ 118A 119A 120A 121A 122A 123A
 ○ 124A 125A 126A 127A 128A 129A
 ○ 130A 131A 132A 133A 134A 135A
 ○ 136A 137A 138A 139A 140A 141A
 ○ 142A 143A 144A 145A 146A 147A
 ○ 148A 149A 150A 151A 152A 153A
 ○ 154A 155A 156A 157A 158A 159A
 ○ 160A 161A 162A 163A 164A 165A
 ○ 166A 167A 168A 169A 170A 171A
 ○ 172A 173A 174A 175A 176A 177A
 ○ 178A 179A 180A 181A 182A 183A
 ○ 184A 185A 186A 187A 188A 189A
 ○ 190A 191A 192A 193A 194A 195A
 ○ 196A 197A 198A 199A 200A

CV 2437

○ U F H E M X

CV 2439

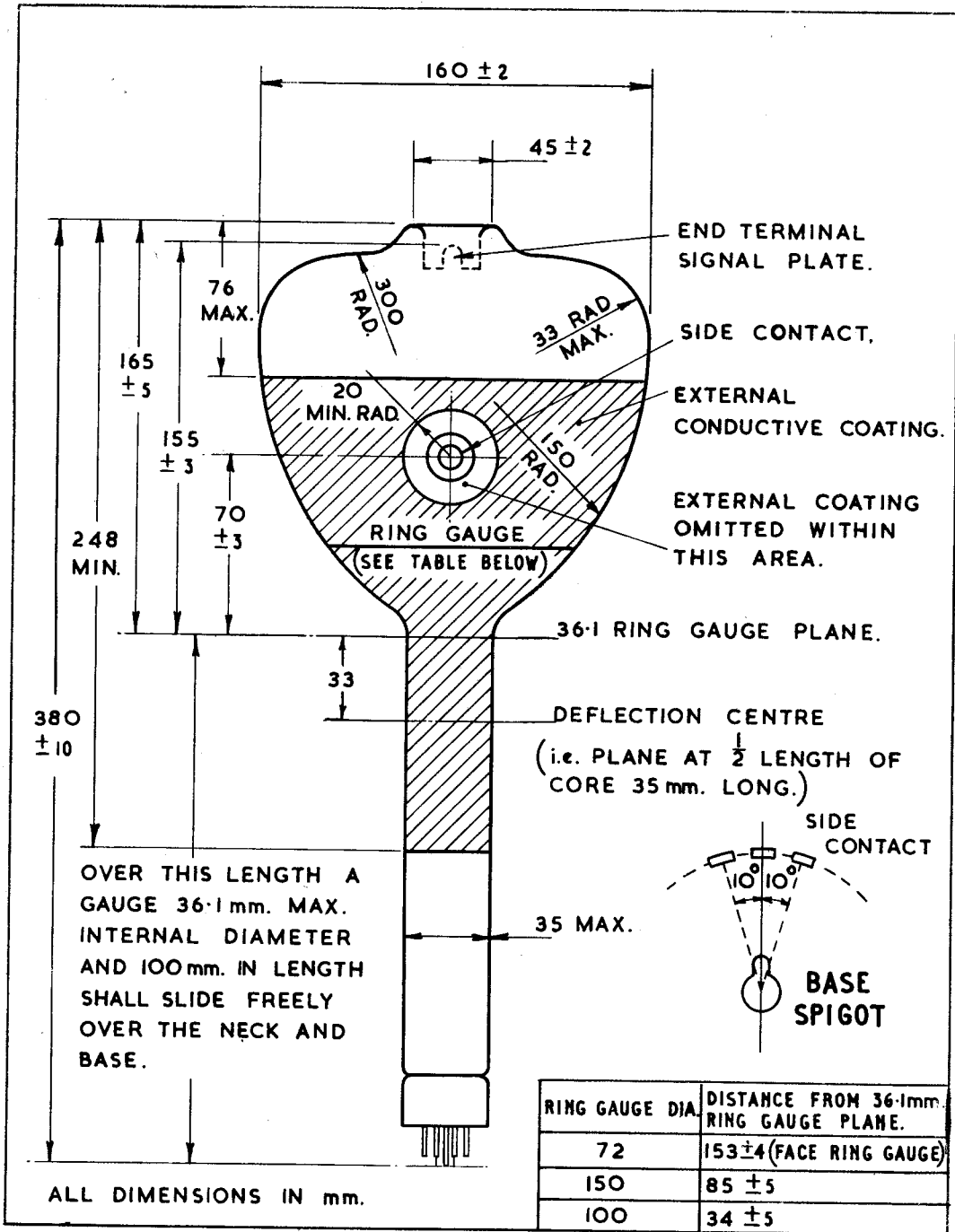
○ 11 12 13 14 15 16 17 18
 ○ 19 20 21 22 23 24 25 26
 ○ 27 28 29 30 31 32 33 34
 ○ 35 36 37 38 39 40 41 42
 ○ 43 44 45 46 47 48 49 50
 ○ 51 52 53 54 55 56 57 58
 ○ 59 60 61 62 63 64 65 66
 ○ 67 68 69 70 71 72 73 74
 ○ 75 76 77 78 79 80 81 82
 ○ 83 84 85 86 87 88 89 90
 ○ 91 92 93 94 95 96 97 98
 ○ 99 100 101 102 103 104
 ○ 105 106 107 108 109 110
 ○ 111 112 113 114 115 116
 ○ 117 118 119 120 121 122
 ○ 123 124 125 126 127 128
 ○ 129 130 131 132 133 134
 ○ 135 136 137 138 139 140
 ○ 141 142 143 144 145 146
 ○ 147 148 149 150 151 152
 ○ 153 154 155 156 157 158
 ○ 159 160 161 162 163 164
 ○ 165 166 167 168 169 170
 ○ 171 172 173 174 175 176
 ○ 177 178 179 180 181 182
 ○ 183 184 185 186 187 188
 ○ 189 190 191 192 193 194
 ○ 195 196 197 198 199 200

CV 2441

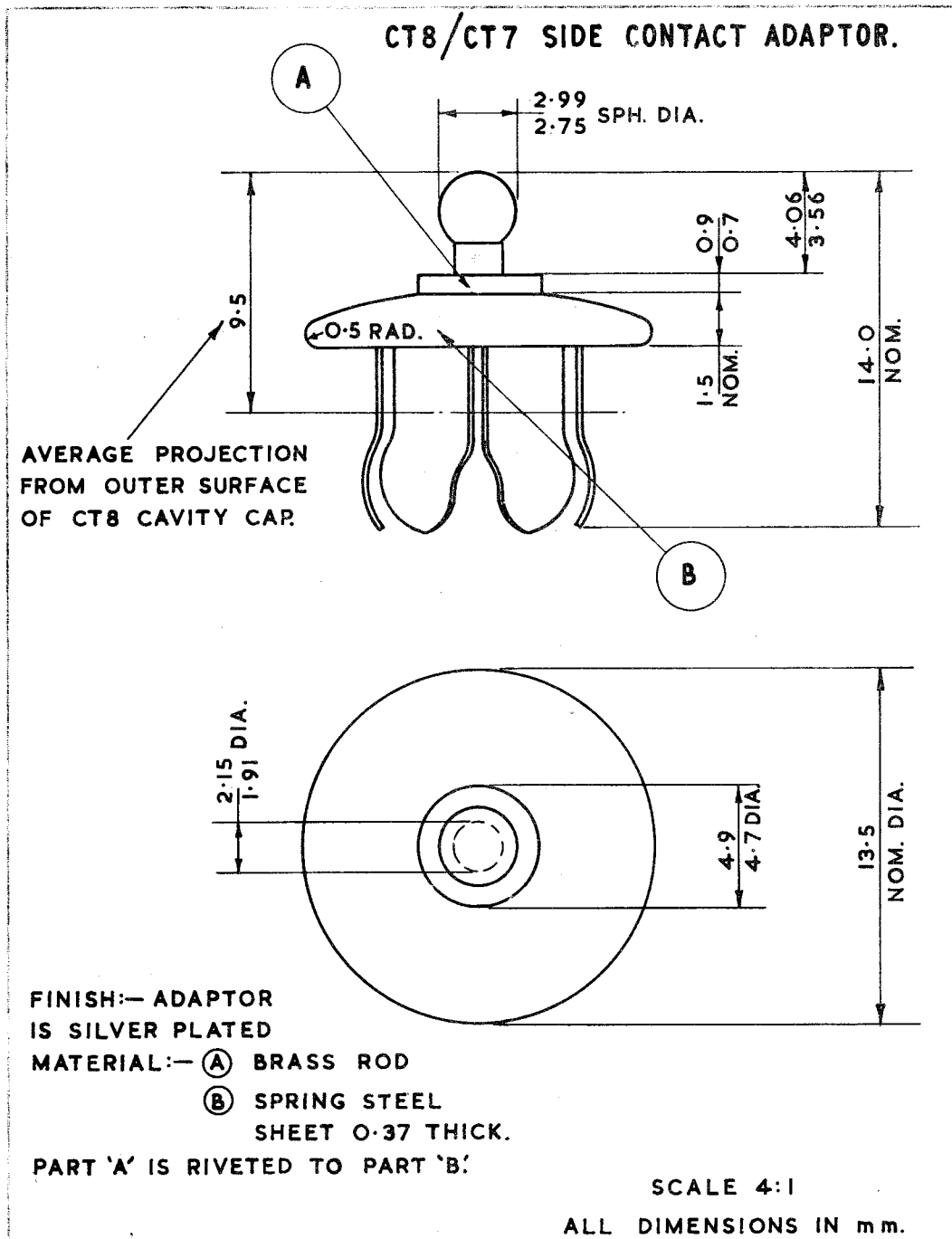
○ 11 12 13 14 15 16 17 18
 ○ 19 20 21 22 23 24 25 26
 ○ 27 28 29 30 31 32 33 34
 ○ 35 36 37 38 39 40 41 42
 ○ 43 44 45 46 47 48 49 50
 ○ 51 52 53 54 55 56 57 58
 ○ 59 60 61 62 63 64 65 66
 ○ 67 68 69 70 71 72 73 74
 ○ 75 76 77 78 79 80 81 82
 ○ 83 84 85 86 87 88 89 90
 ○ 91 92 93 94 95 96 97 98
 ○ 99 100 101 102 103 104
 ○ 105 106 107 108 109 110
 ○ 111 112 113 114 115 116
 ○ 117 118 119 120 121 122
 ○ 123 124 125 126 127 128
 ○ 129 130 131 132 133 134
 ○ 135 136 137 138 139 140
 ○ 141 142 143 144 145 146
 ○ 147 148 149 150 151 152
 ○ 153 154 155 156 157 158
 ○ 159 160 161 162 163 164
 ○ 165 166 167 168 169 170
 ○ 171 172 173 174 175 176
 ○ 177 178 179 180 181 182
 ○ 183 184 185 186 187 188
 ○ 189 190 191 192 193 194
 ○ 195 196 197 198 199 200

CV 2443

○ U F H E M X



CV 2436-CV 2443/2/5



CV 2436--CV 2443/2/6