

# Radio Service Dealer 1944~1945, AU

## *Technical Service Portfolio*

<b>Brand</b>	<b>Model</b>	<b>Description</b>	<b>Page</b>
Clough-Brengle & Co.	130	A.C. Bridge	13
General Electric Co.	UM-3	Unimeter	5
Hickok Electrical Instr. Co.	RFO5	Oscillograph	19
Hickok Electrical Instr. Co.	110A	Vacuum Tube Voltmeter	7
Hickok Electrical Instr. Co.	202	Volt-Ohm-Milliammeter	30
Jackson Electrical Instr. Co.	660	Dynamic Signal Analyzer	28
Philco Corp.	048-A	Signal Generator & Circuit Tester	7
Philco Corp.	014	Wireless Station Setter	7
Philco Corp.	023	Volt-Ohm-Milliammeter	25
Philco Corp.	027	Vacuum Tube Voltmeter	32
Philco Corp.	028	Vacuum Tube Voltmeter	12
Philco Corp.	033	Tube Tester	15
Philco Corp.	077	Signal Generator	20
Philco Corp.	088	Signal Generator	15
Presicion Apparatus Co.	EV-10	Vacuum Tube Multi-range Tester	3
Presicion Apparatus Co.	510	Tube Checker	33
Presicion Apparatus Co.	840	Volt-Ohm-Milliammeter	33
Presicion Apparatus Co.	842	Multi-Tester	21
Presicion Apparatus Co.	954	Super Sensitive (Tube) Tester	14
Radio City Products Co.	419	Multi-Tester	8
Radio City Products Co.	530	Square Wave Generator	12
RCA	122-B	Cathode Ray Oscilloscope	9
RCA	122-D	Cathode Ray Oscilloscope	10
RCA	151-2	C-R Oscilloscope	15
RCA	150-1	C-R Oscilloscope	23
RCA	156D, 156E	Tube Tester	5
Simpson Electric Co.	WD-240	Set Tester	33
Simpson Electric Co.	WD-215	AC-DC Volt-Ohm-Milliammeter	31
Simpson Electric Co.	260	High Sensitivity Set Tester	16
Supreme Instruments Corp.	560-A	Vedolyzer	34
Supreme Instruments Corp.	500	De-Luxe Tube Tester	26
Supreme Instruments Corp.	502	Tube Tester	23

<b>Brand</b>	<b>Model</b>	<b>Description</b>	<b>Page</b>
Supreme Instruments Corp.	547	0~3000V. Multimeter	17
Supreme Instruments Corp.	561	Signal Generator	11
Supreme Instruments Corp.	562	Audolyzer	27
Supreme Instruments Corp.	580	De Luxe Signal Generator	20
Supreme Instruments Corp.	590 Deluxe	Multimeter	6
Supreme Instruments Corp.	599	Tube-Set-Battery Tester	25
Supreme Instruments Corp.	582, 582A	Signal Generator	29
Triplett Electrical Instr. Co.	625-7	Wide-range Portable V-O-Ammeter	4
Triplett Electrical Instr. Co.	666	Tube Tester	16
Triplett Electrical Instr. Co.	1612-13	Dynamic Tube Tester	18
Weston Electrical Instr. Co.	564 (3C)	Volt / Ohm Meter	18
Weston Electrical Instr. Co.	663	0~1000V D.C. Volt-Ohmmeter	4
Weston Electrical Instr. Co.	665, Type 1	Volt-Ohm-Milliammeter	21
Weston Electrical Instr. Co.	695	Rectifier Type Voltmeter	18
Weston Electrical Instr. Co.	697	1KOhm/V AC-DC V-O-Milliam.	4
Weston Electrical Instr. Co.	772, Type 6	Multi Purpose Analyzer	24
Weston Electrical Instr. Co.	777, Type 8 & 9	Tube and Battery Checker	22

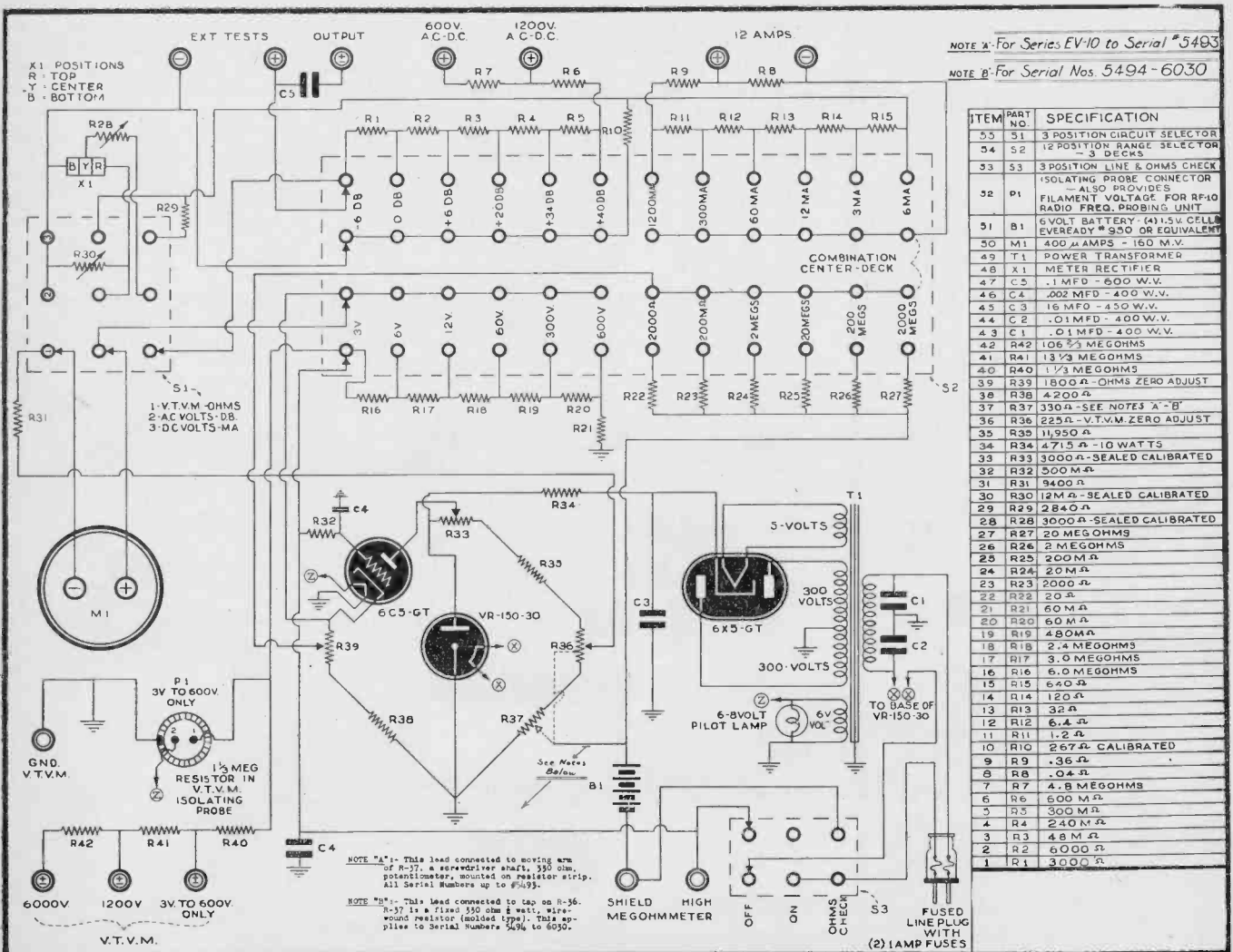
The attached schematic diagrams were featured in Australian magazine Radio Service Dealer from 1944, Sept. to 1945, Sept.

Here compiled on Febr. 24th., 2019 by Tricomp for the benefit of anyone who needs to repair or renovate any of the listed test instruments.

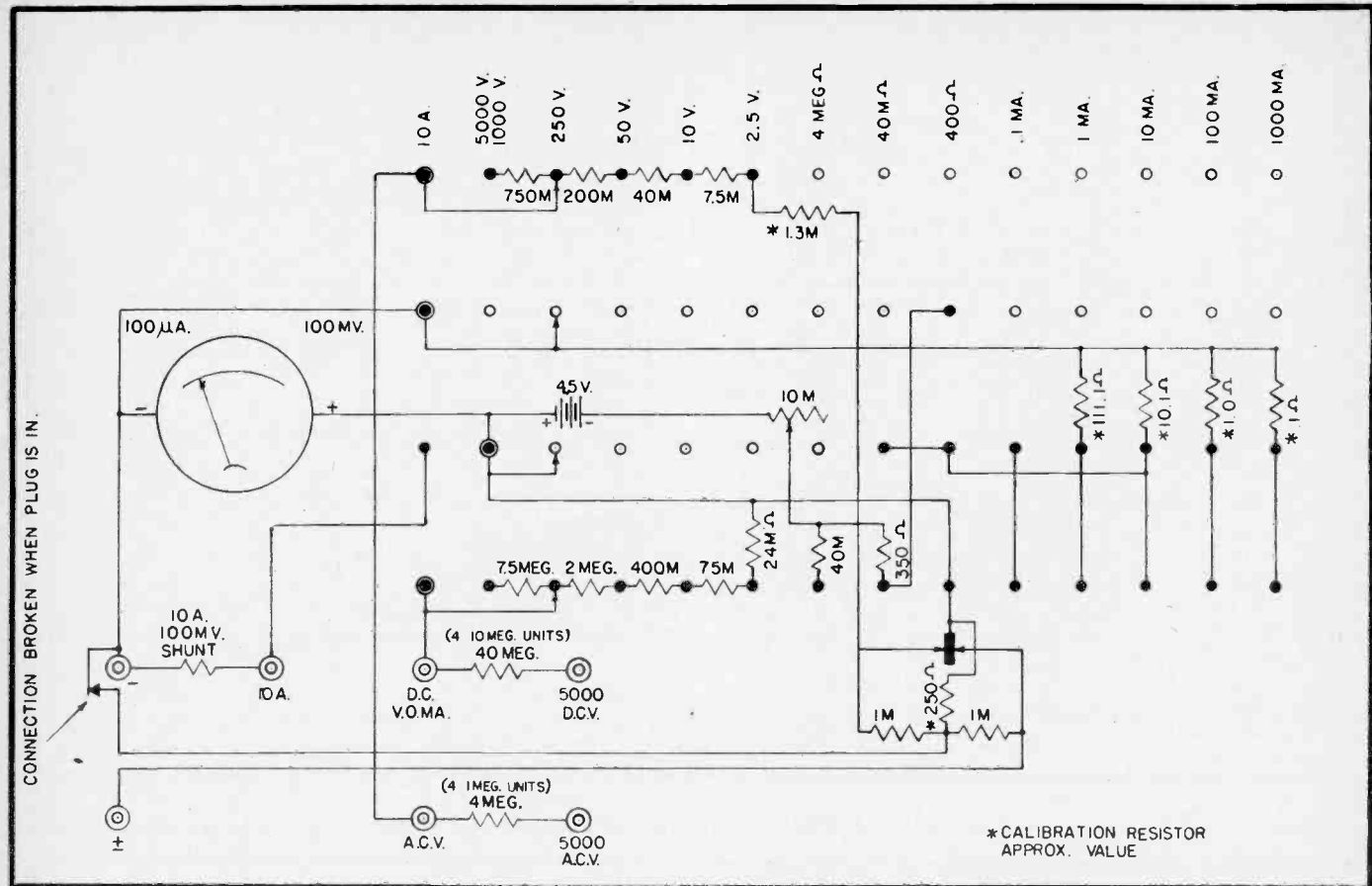
# Technical Service Portfolio

## TEST EQUIPMENT CIRCUITS—Part I

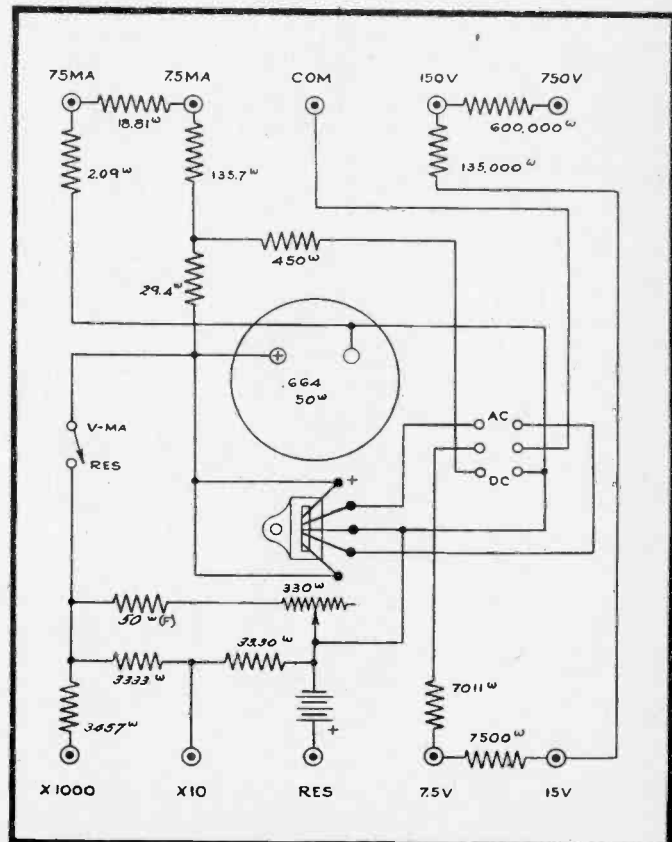
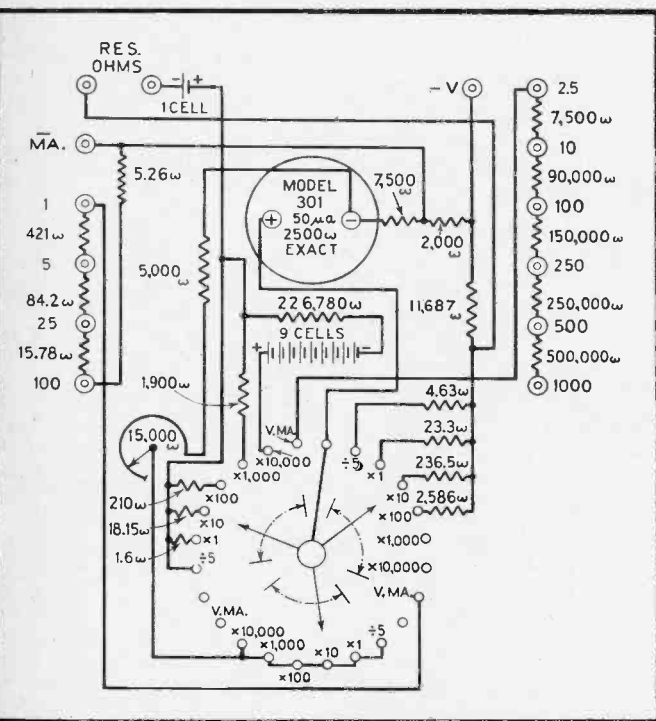
Through the cooperation of test equipment manufacturers we are publishing a series of hitherto unavailable schematics of their instruments. The circuit diagrams will be published without technical comment in a series of "Portfolios" of which this is the first. Subscribers desiring publication of circuits for specific instruments should write to Editor, Radio Service Dealer, for issue priority.



Precision Apparatus Co. Vacuum Tube Multi-range Tester, (Series EV-10).



Triplet Electrical Instrument Co. Wide-Range Portable Volt-Ohm-Ammeter, (Model 625-7).



Weston Electrical Instrument Co. (above), 0-1000 volt D.C. Volt-Ohmmeter, (Model 663). Right: Weston 1000 Ohms-per-Volt ac/dc Volt Ohm-Milliammeter, (Model 697).

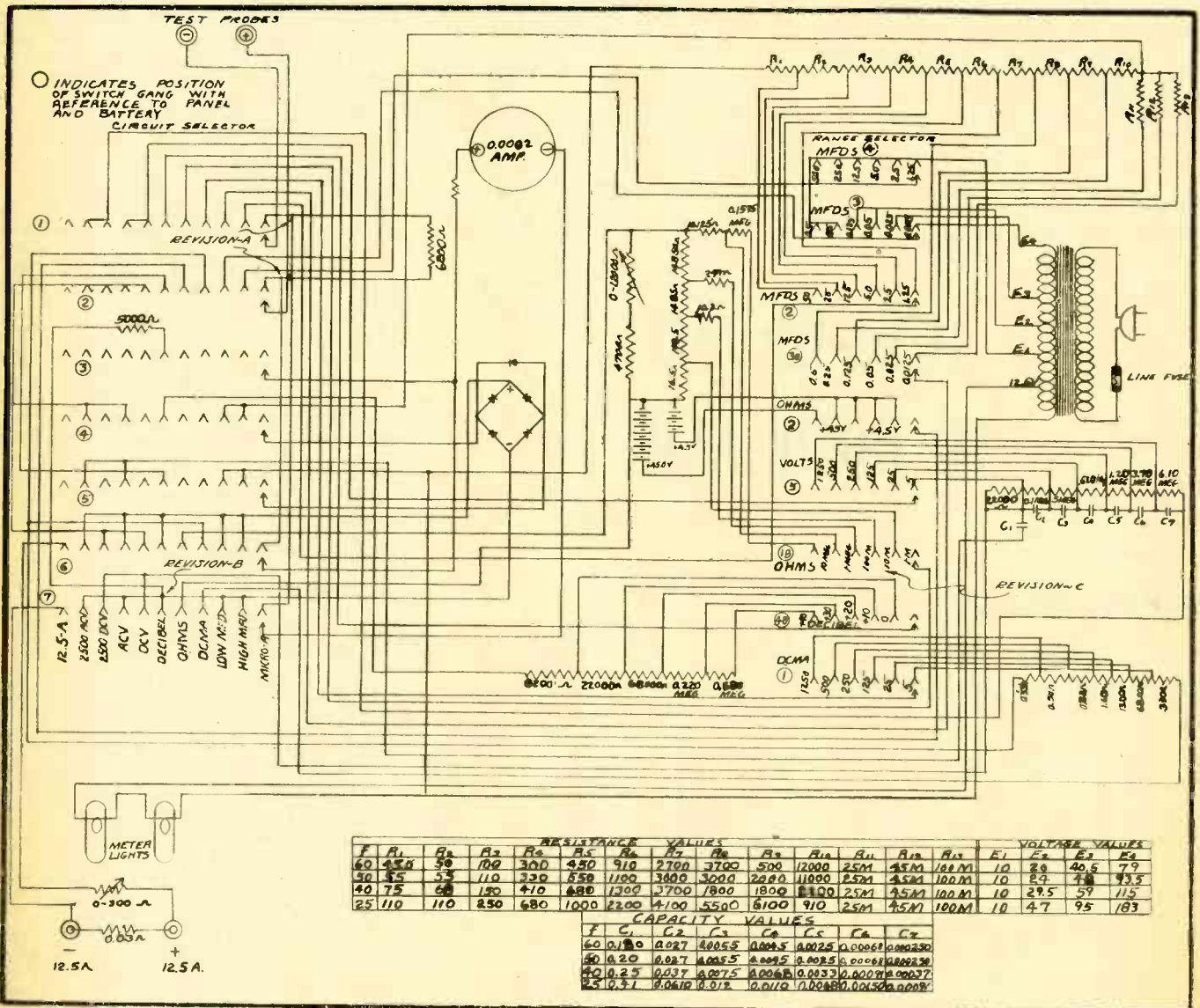


# Technical Service Portfolio

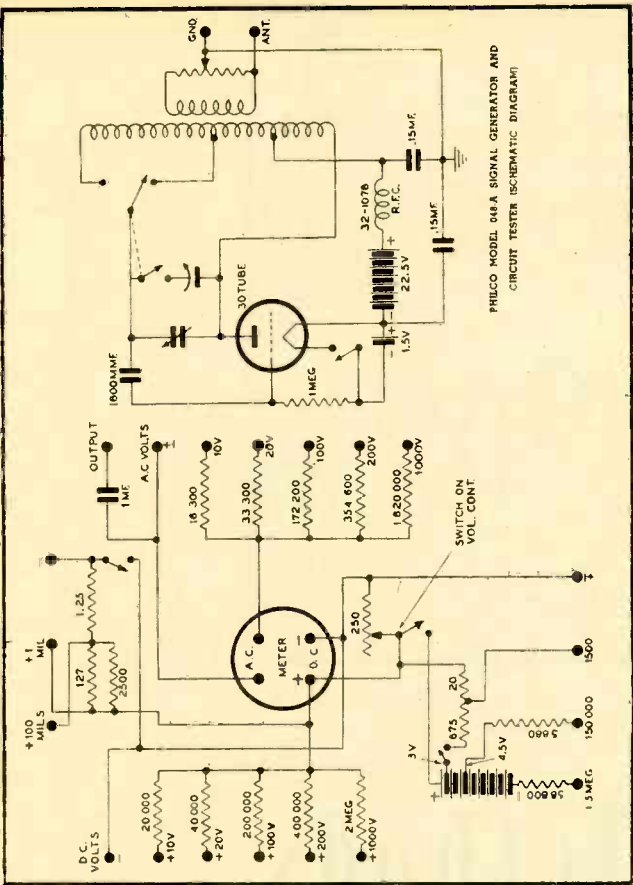
## SECTION XLII

### TEST EQUIPMENT CIRCUITS—Part 2

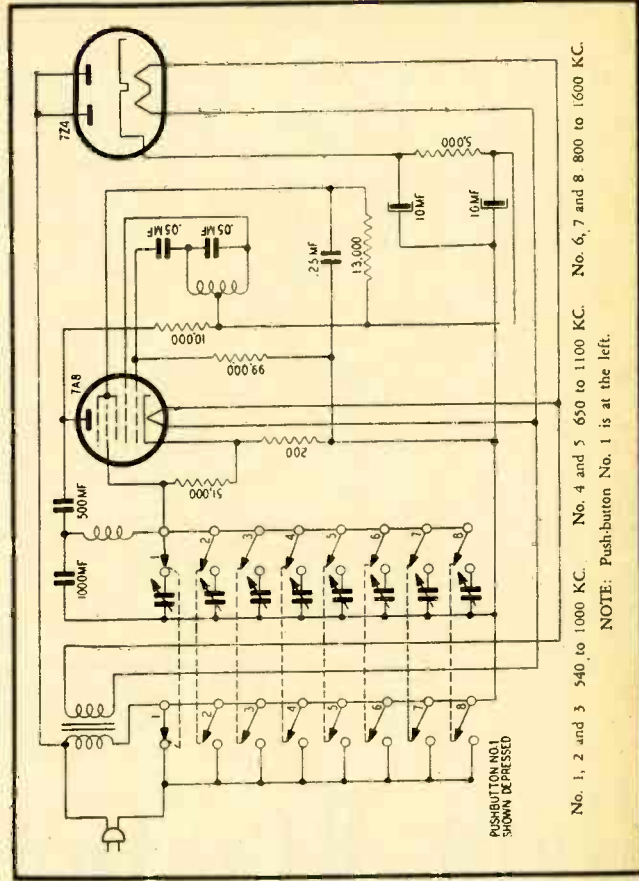
Through the cooperation of test equipment manufacturers we are publishing a series of hitherto unavailable schematics of their instruments. The circuit diagrams will be published without technical comment in a series of "Portfolios" of which this is a part. Subscribers desiring publication of circuits for specific instruments should write to Editor, Radio Service Dealer, for issue priority.



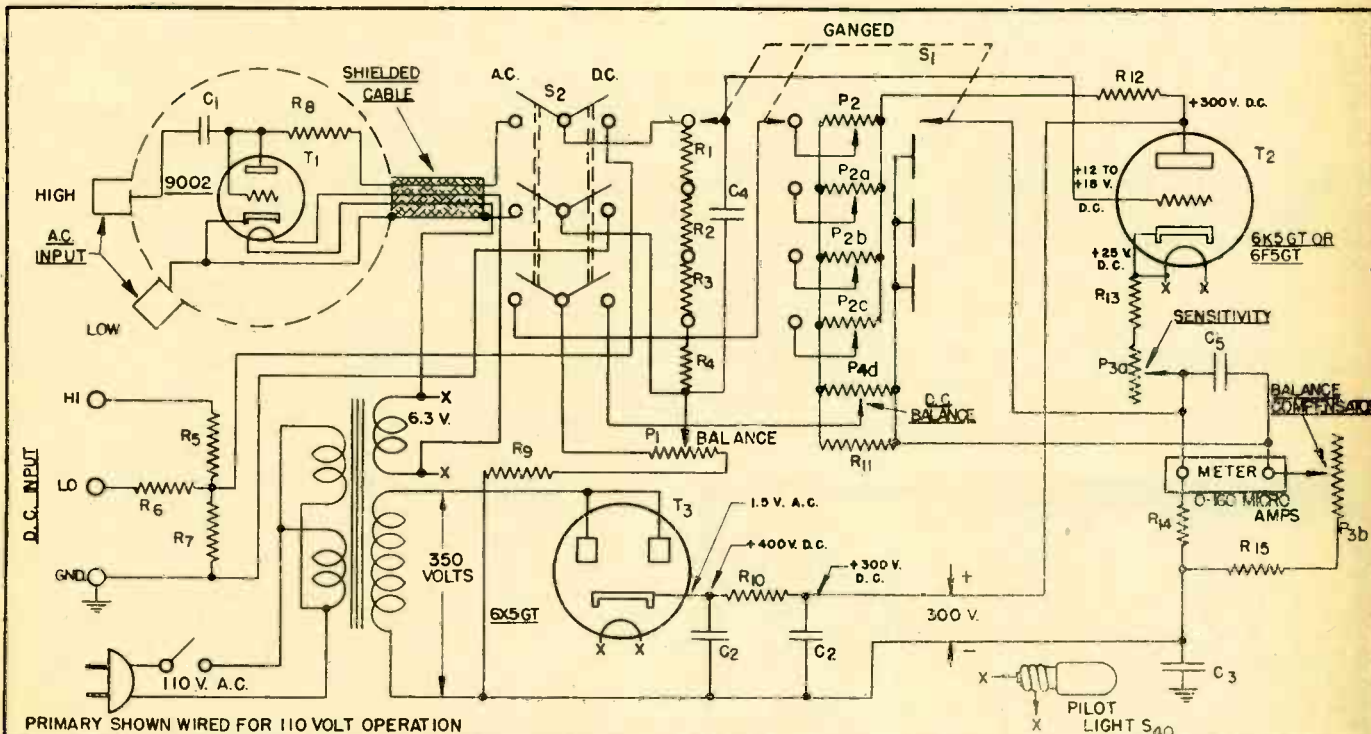
Supreme Instruments Corp. Multimeter (Model 590 Deluxe).



Philco Signal Generator & Circuit Tester (Model 048-A).



Philco Wireless Station Setter (Model 014).



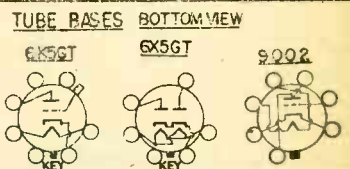
PRIMARY SHOWN WIRED FOR 110 VOLT OPERATION

R1	7.5 MΩ	1/2 WATT
R2	6 MΩ	1/2 WATT
R3	135 MΩ	1/2 WATT
R4	15 MΩ	1/2 WATT
R5	700 MΩ	CERAMIC
R6	5 MΩ	1/2 WATT
R7	23 MΩ	1/2 WATT
R8	1 MΩ	1/2 WATT
R9	5 MΩ	1/2 WATT

R10	7500 Ω	1 WATT
R11	150 Ω	1/2 WATT
R12	30 K	10 WATT
R13	7.5 KΩ	1/2 WATT
R14	30 KΩ	1/2 WATT
R15	1200 ~	1/2 WATT

M	MEG OHM
K	THOUSAND OHMS
R1, R2, R3, R4	1% TOLERANCE
R6, R7	ADJUSTED IN PRODUCTION
P1	50 KΩ
P2	1 KΩ (WIRE WOUND) A.C. BALANCE
P3	3 KΩ (WIRE WOUND) D.C. BALANCE

P4	250 ~
C1	.025 MF
C2	20MF-450V
C3	1 MF
C4	.01 MF
C5	10MF 25V



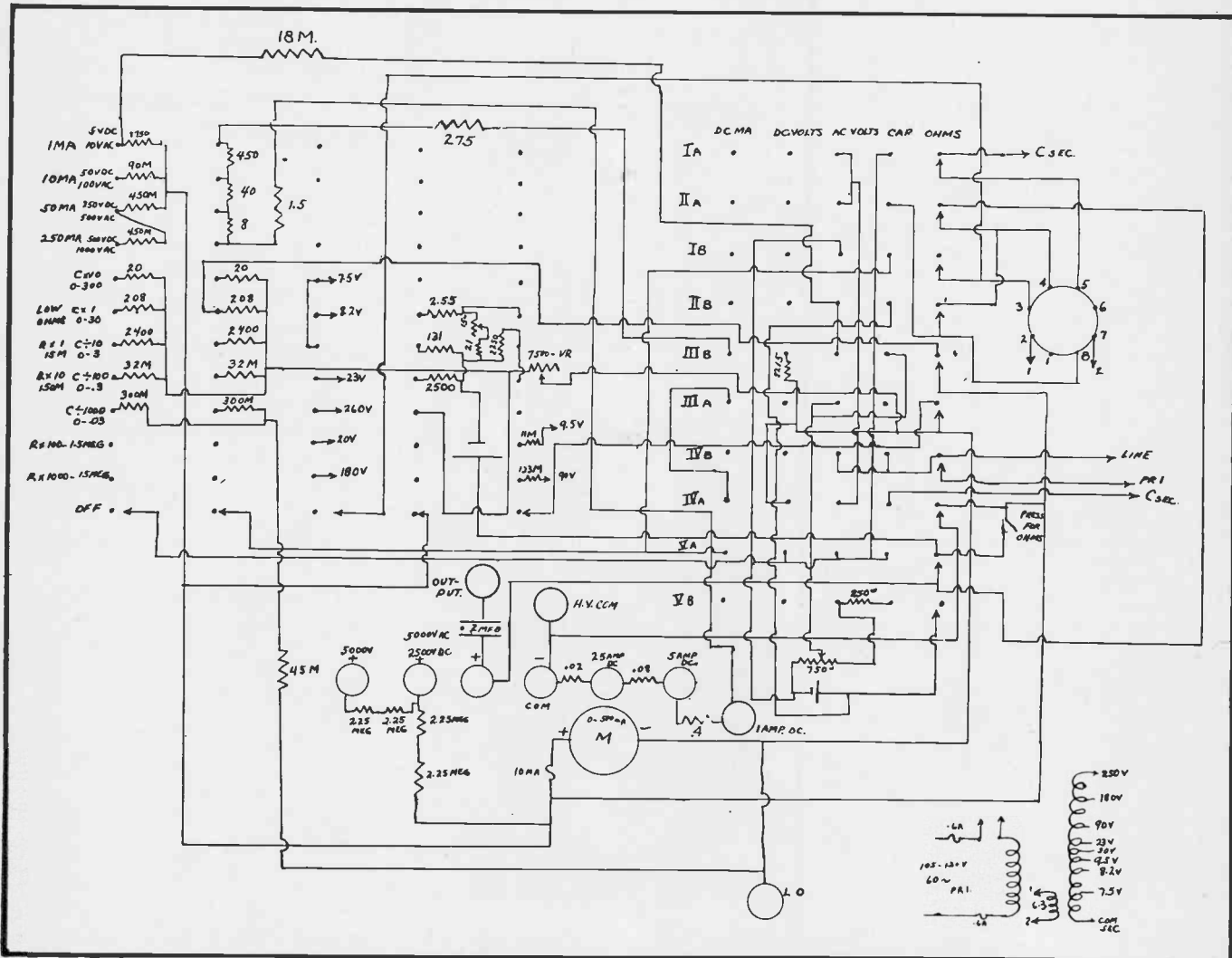
ALL VOLTAGE MEASUREMENTS MADE WITH V.T. VM.  
NOT 1000 OHM PER VOLT METER

# Technical Service Portfolio

SECTION XLIII

## TEST EQUIPMENT CIRCUITS—Part 3

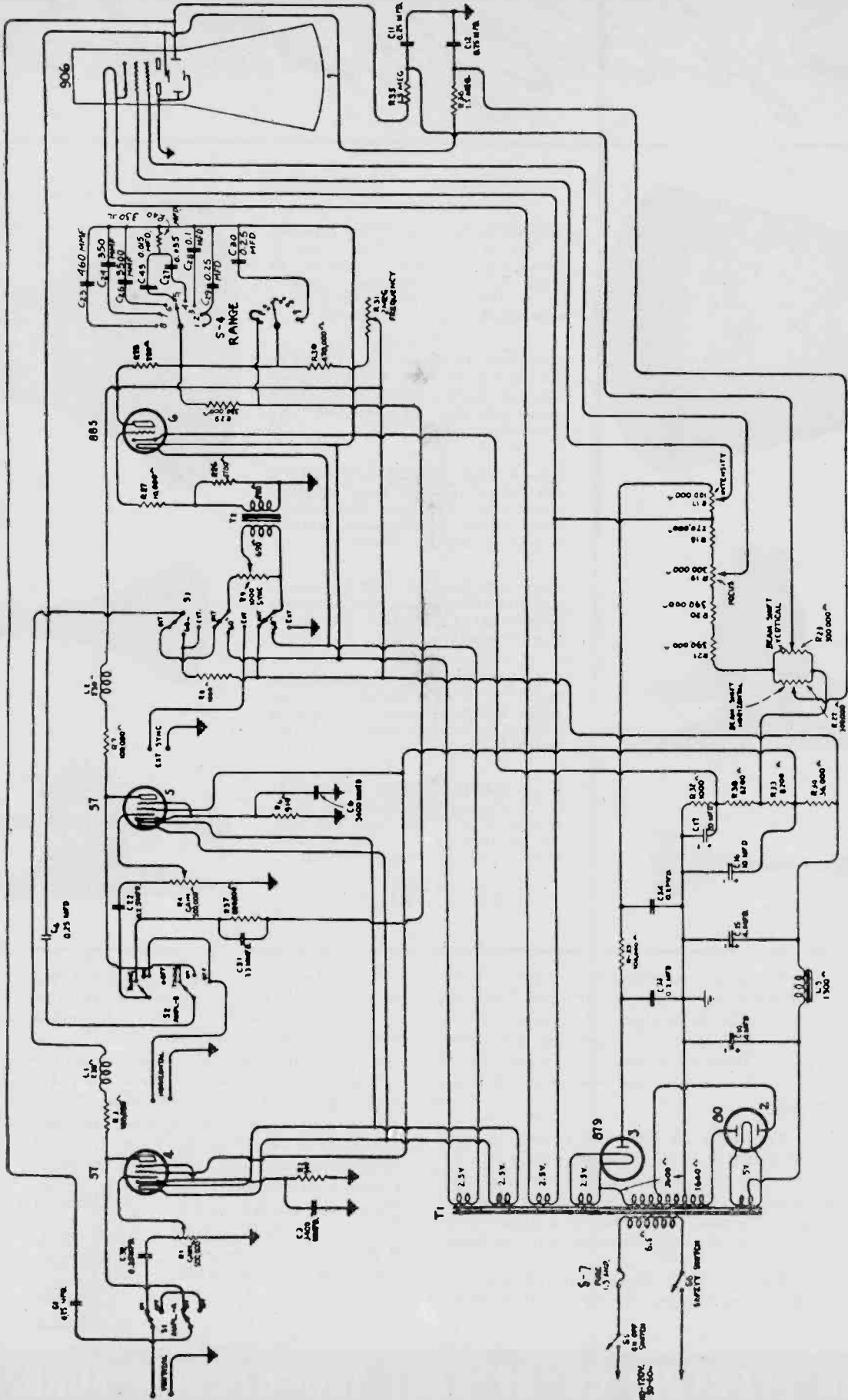
Through the cooperation of test equipment manufacturers we are publishing a series of hitherto unavailable schematics of their instruments. The circuit diagrams will be published without technical comment in a series of "Portfolios" of which this is a part. Subscribers desiring publication of circuits for specific instruments should write to Editor, Radio Service Dealer, for issue priority.



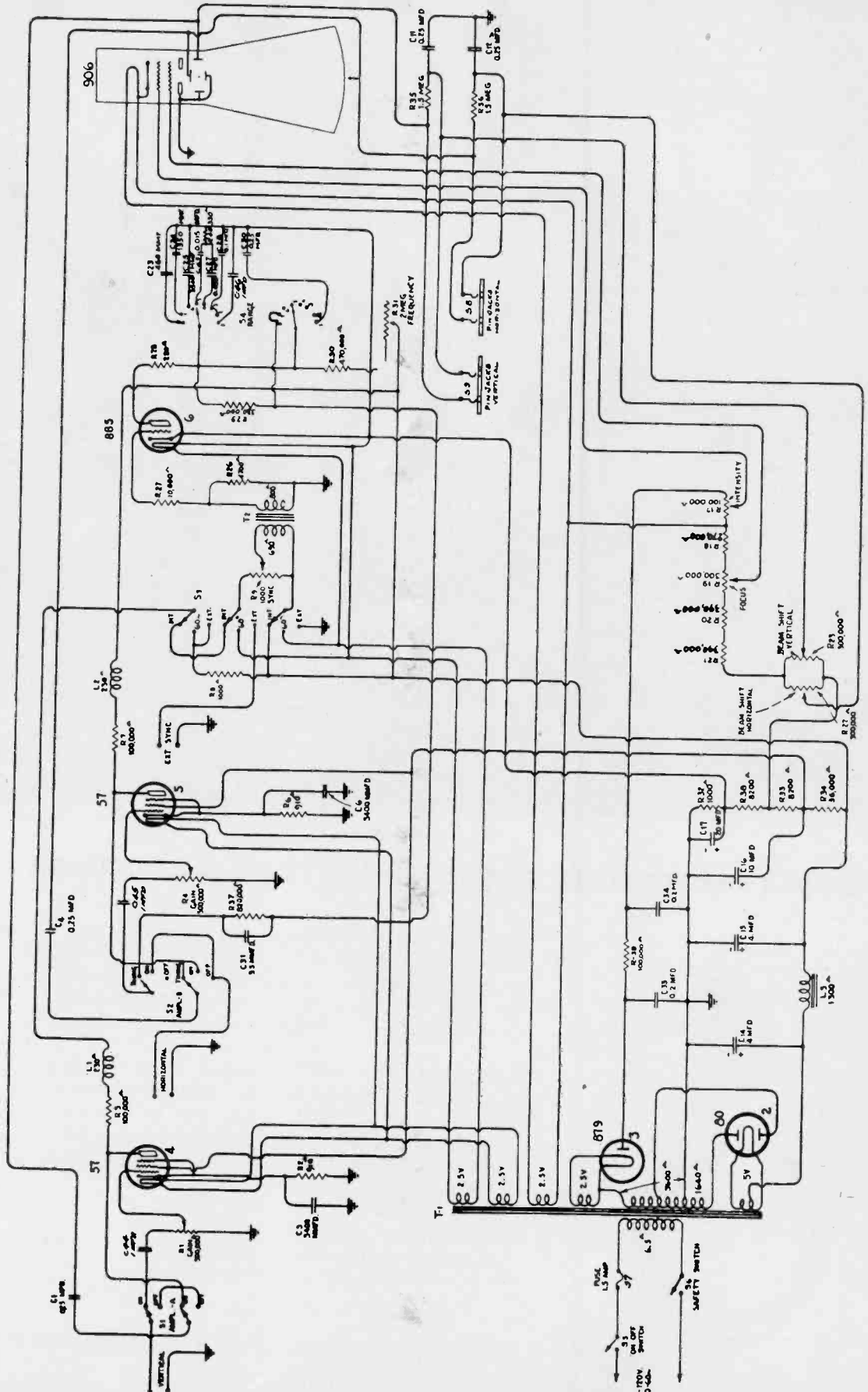
Radio City Products Co. Model 419 (Improved 414) Multi-Tester



Radio Corporation of America Cathode Ray Oscilloscope (Type 122-B)



Radio Corporation of America Cathode Ray Oscilloscope (Type TMV 122-D)

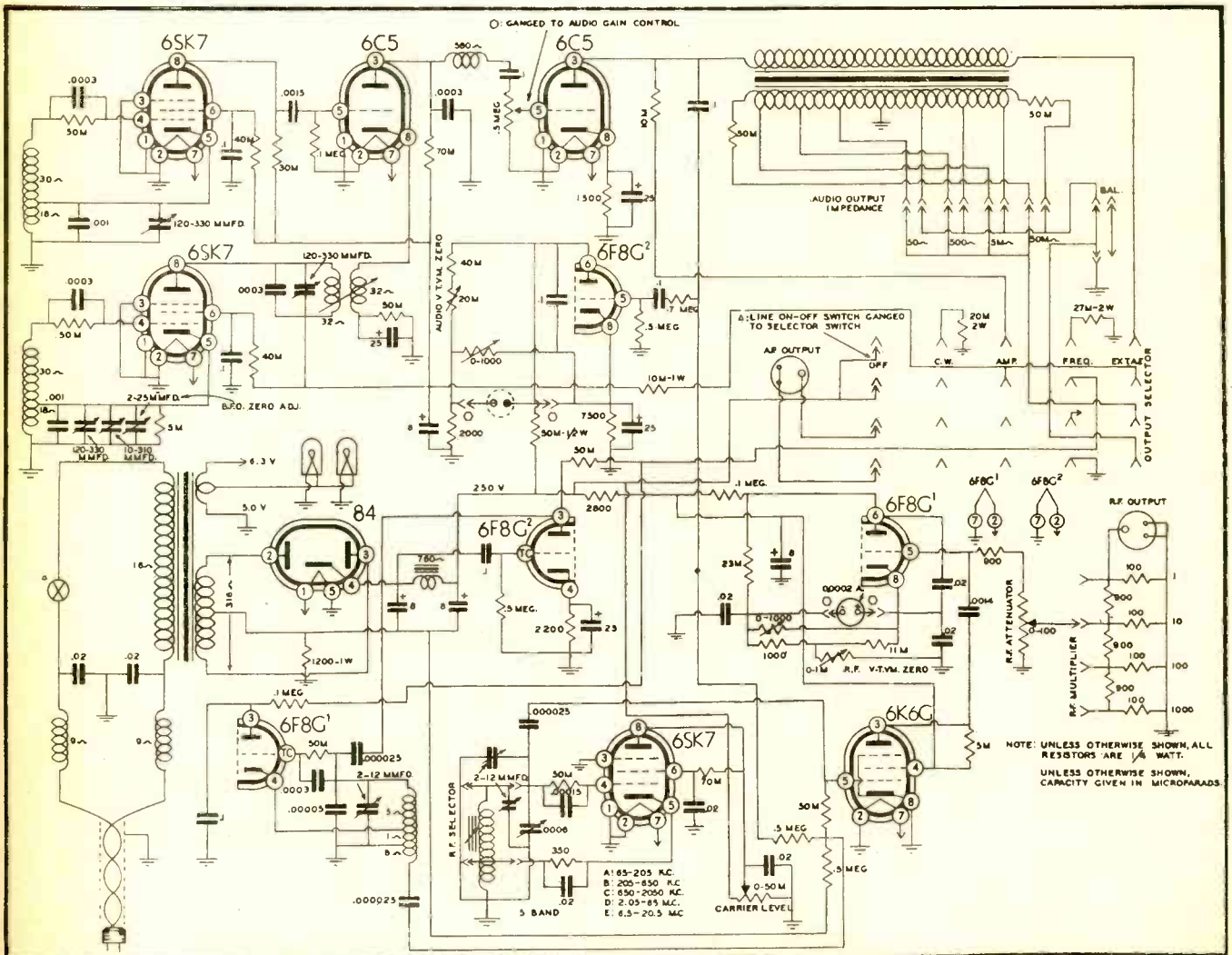


# Technical Service Portfolio

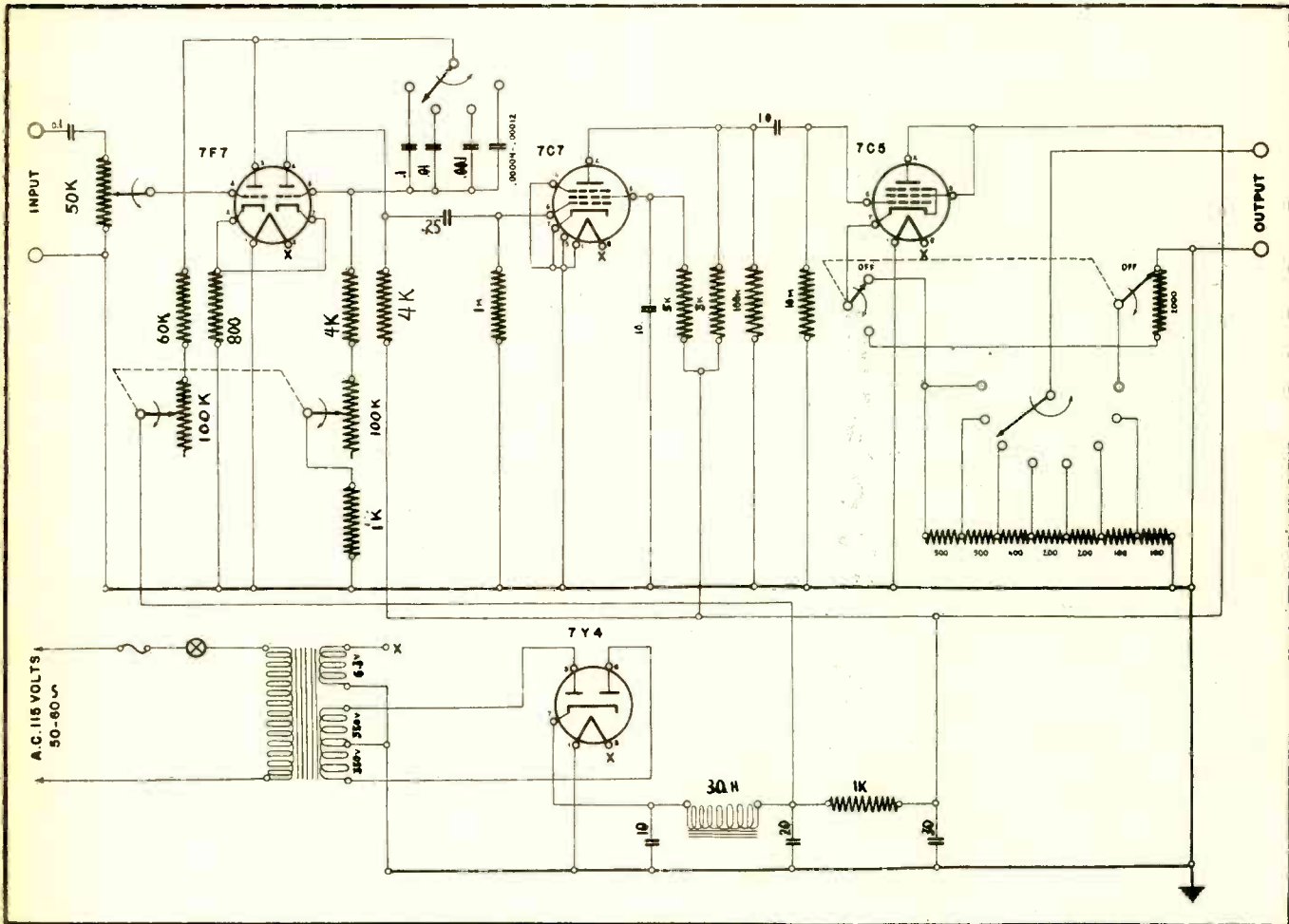
Section XLIV

## TEST EQUIPMENT CIRCUITS—Part 4

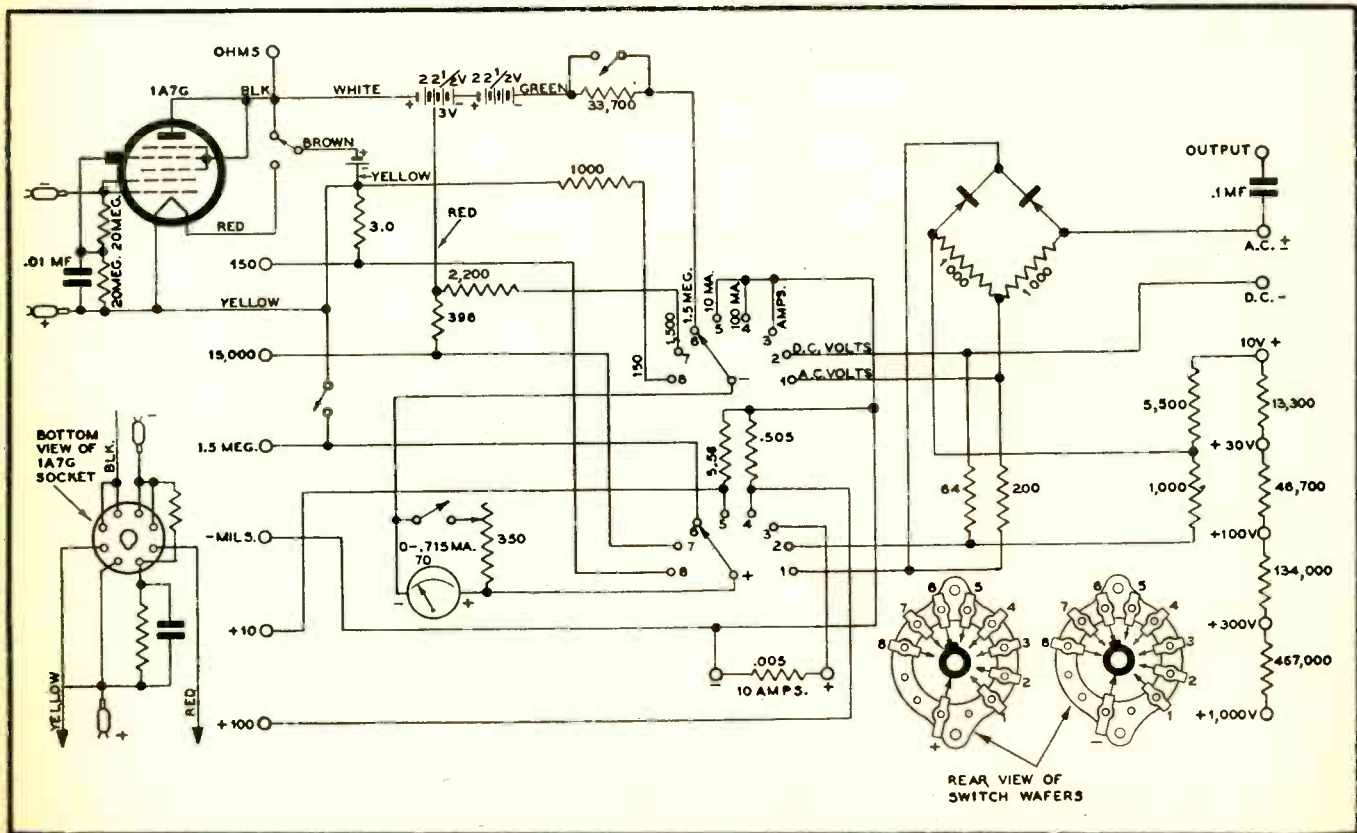
Through the cooperation of test equipment manufacturers we are publishing a series of hitherto unavailable schematics of their instruments. The circuit diagrams will be published without technical comment in a series of "Portfolios" of which this is a part. Subscribers desiring publication of circuits for specific instruments should write to Editor, Radio Service Dealer, for issue priority.



Supreme Instruments Corp. Signal Generator 561.



Radio City Products Co. Model 530 Square Wave Generator.



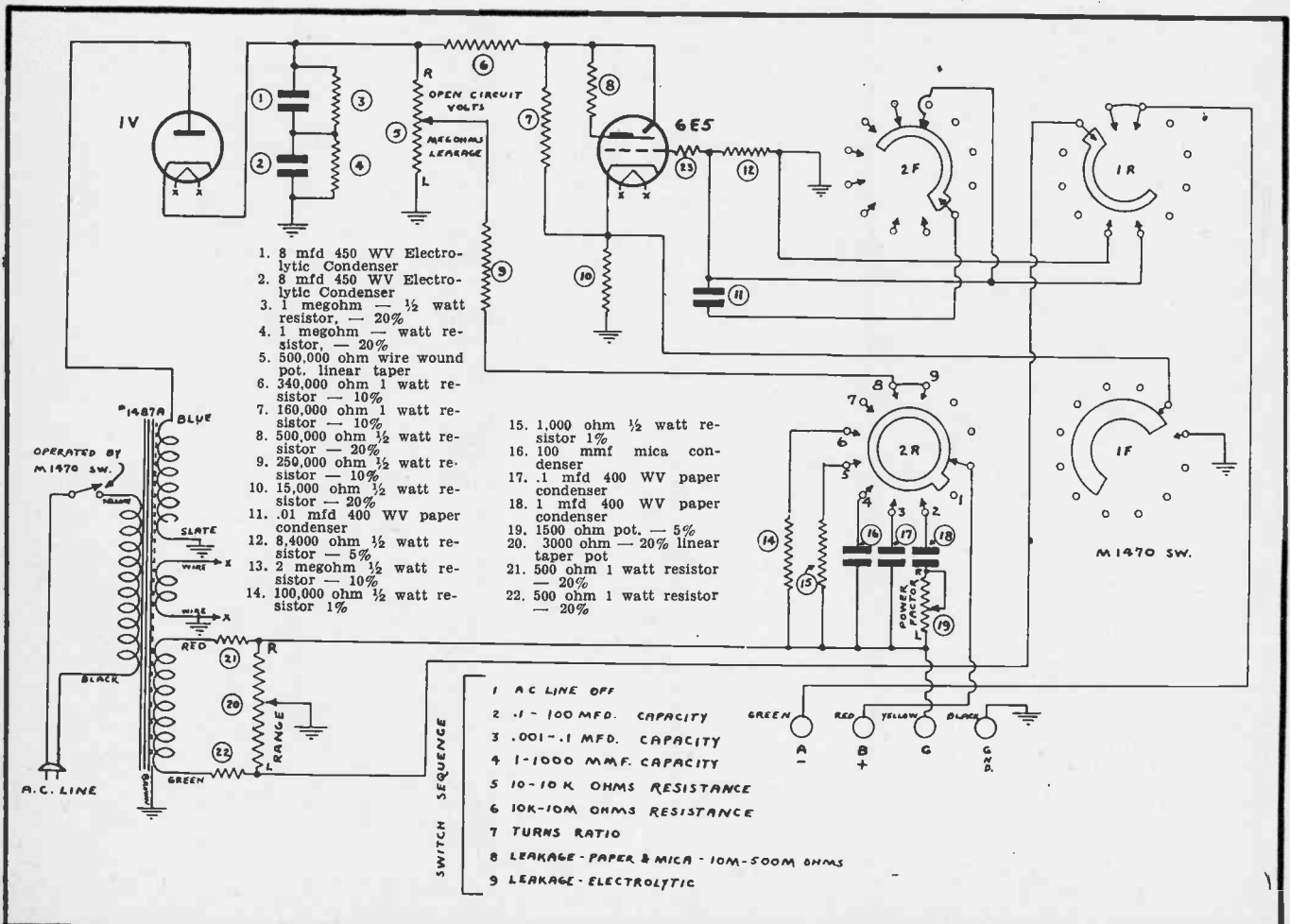
Philco Vacuum Tube Voltmeter (Model 028).

# Technical Service Portfolio

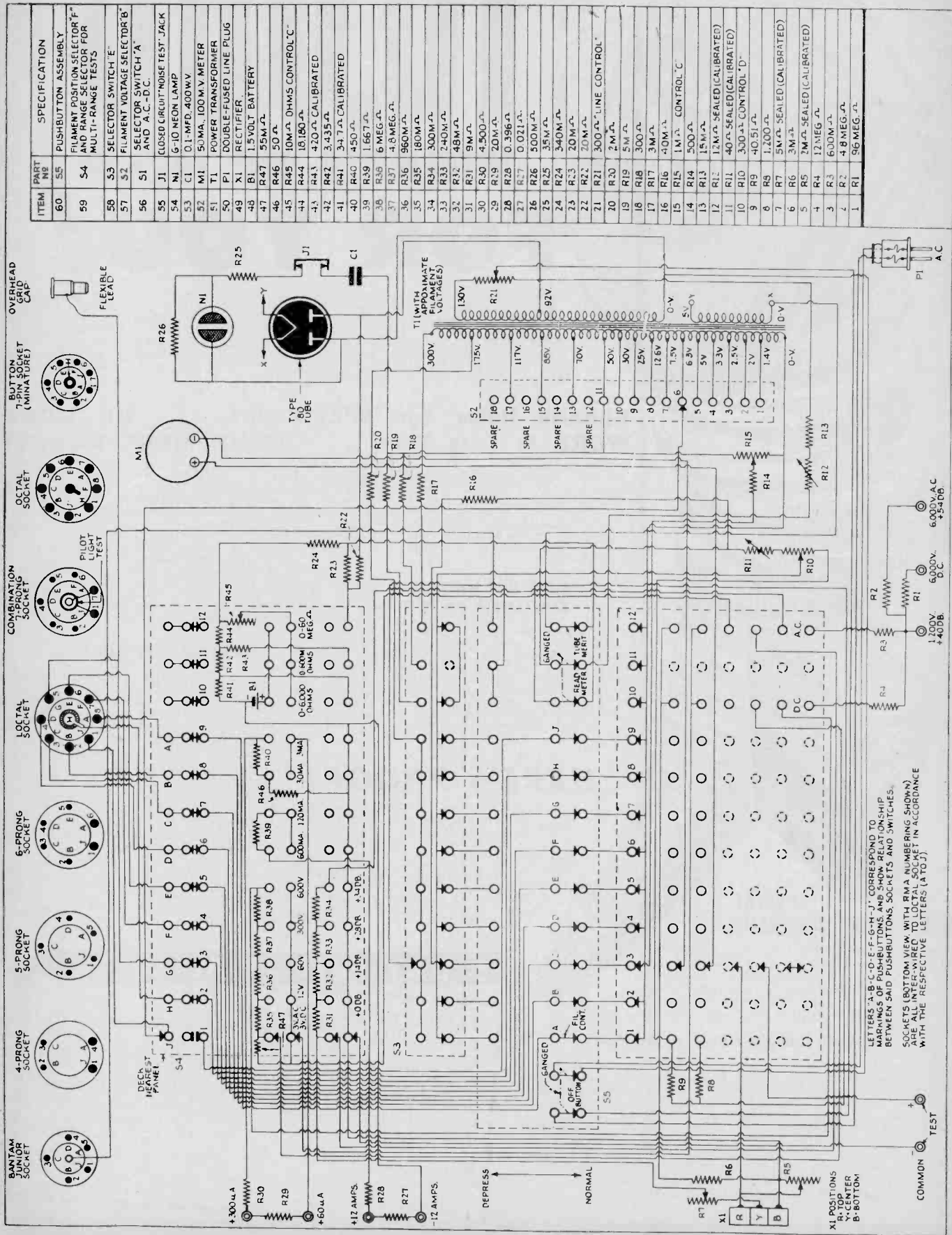
Section XLV

## TEST EQUIPMENT CIRCUITS—Part 5

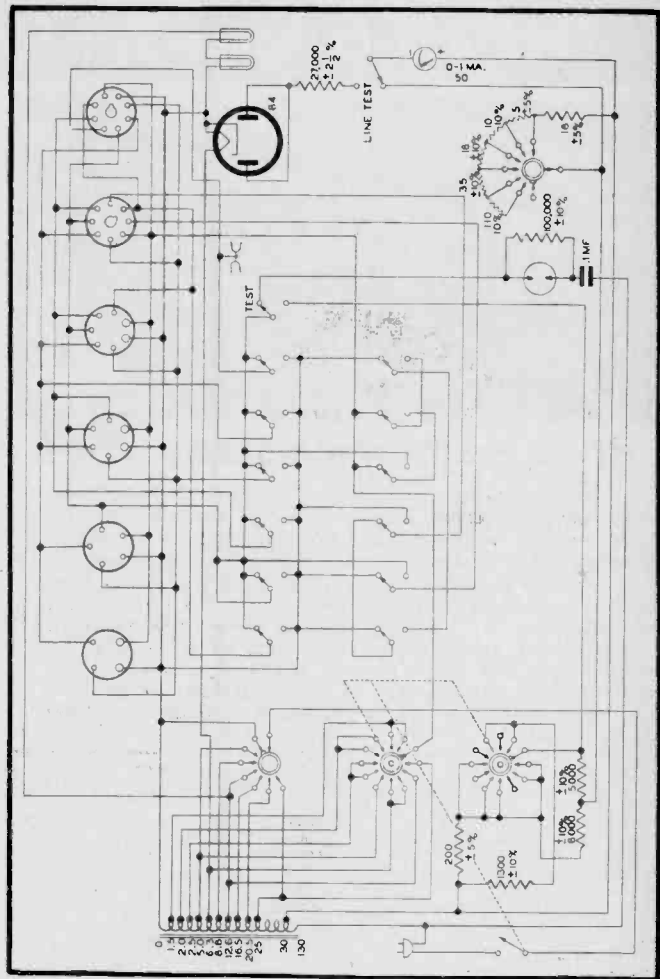
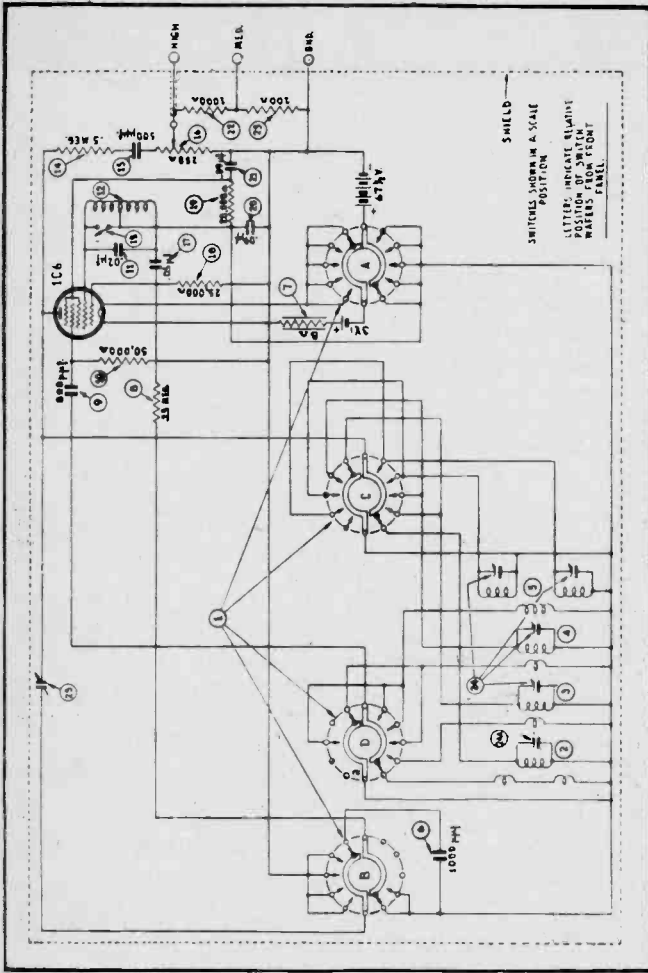
Through the cooperation of test equipment manufacturers we are publishing a series of hitherto unavailable schematics of their instruments. The circuit diagrams will be published without technical comment in a series of "Portfolios" of which this is a part. Subscribers desiring publication of circuits for specific instruments should write to Editor, Radio Service Dealer, for issue priority.



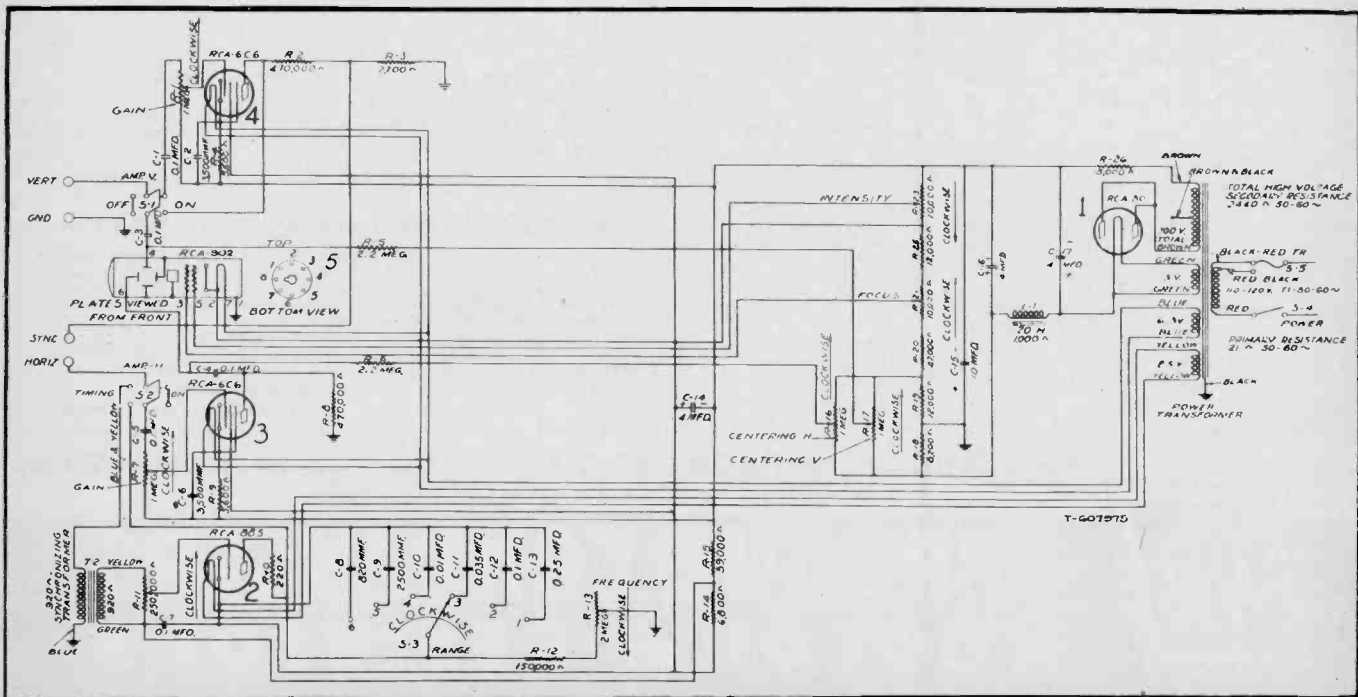
Clough-Bregle Co. A.C. Bridge (Model 130)



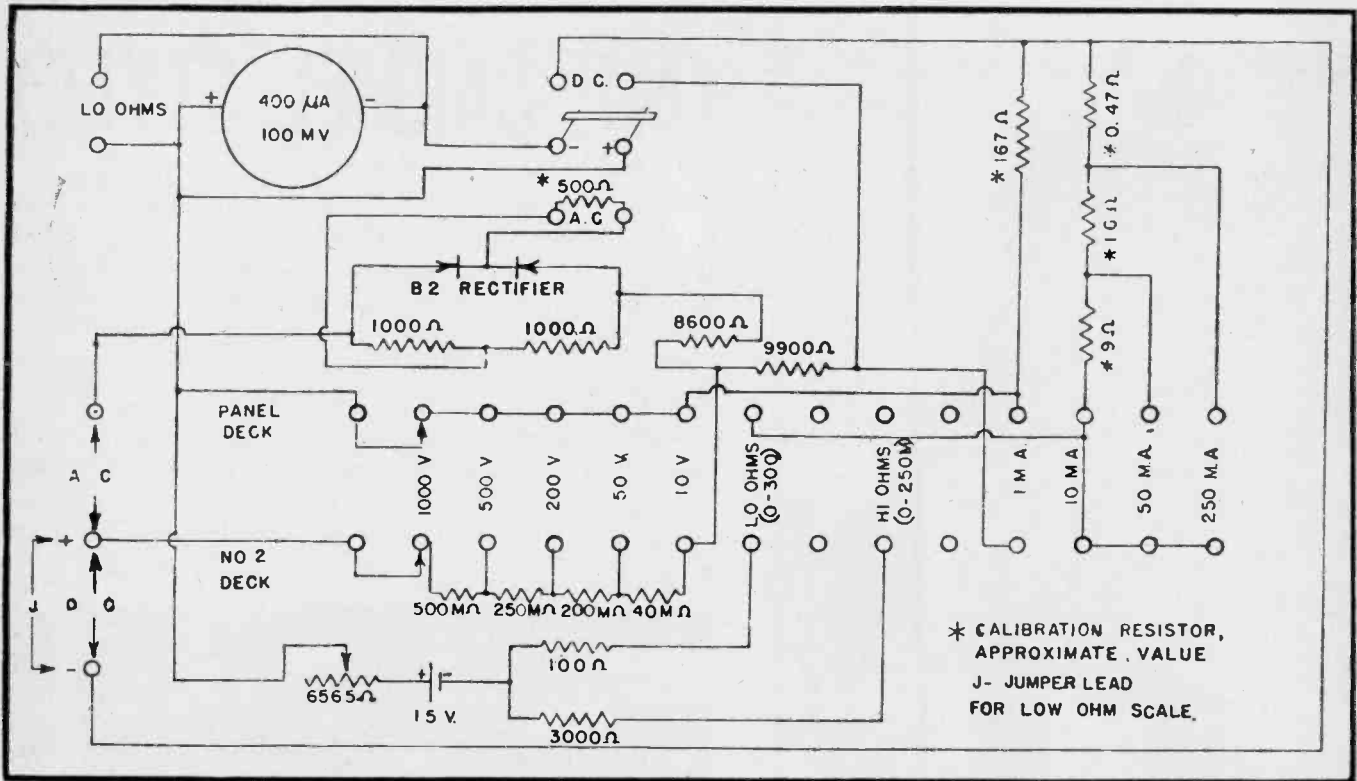
Precision Apparatus Co. Super-sensitive Tester (Model 954)



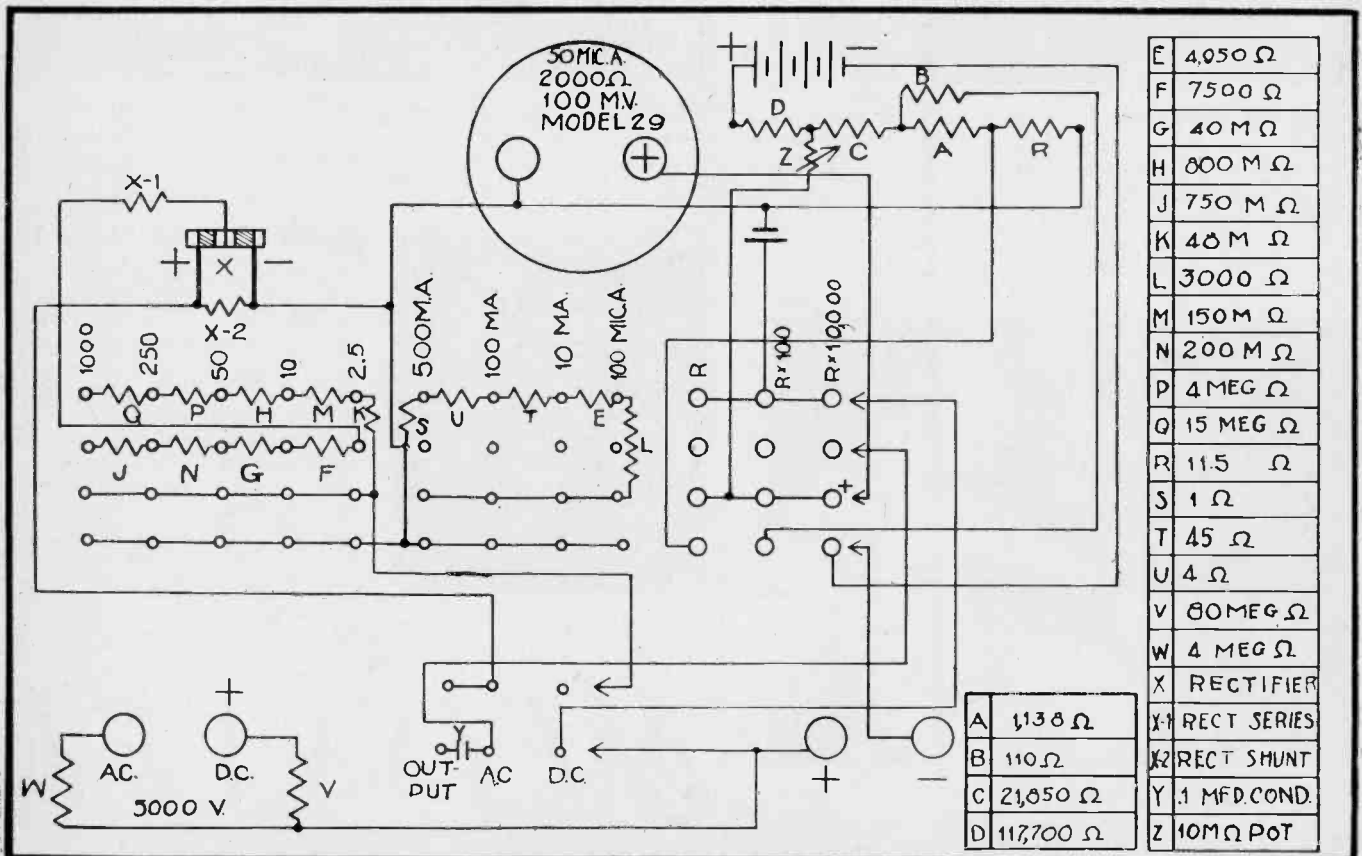
Philco Corp. (left) Signal Generator (Model 088), Right: Tube Tester (Model 033)



Radio Corp. of America C-R Oscillator (Model 151-2)



Triplet Electrical Instru. Co. Tube Tester (Model 666)



Simpson Electric Co. High Sensitivity Set Tester (Model 260)

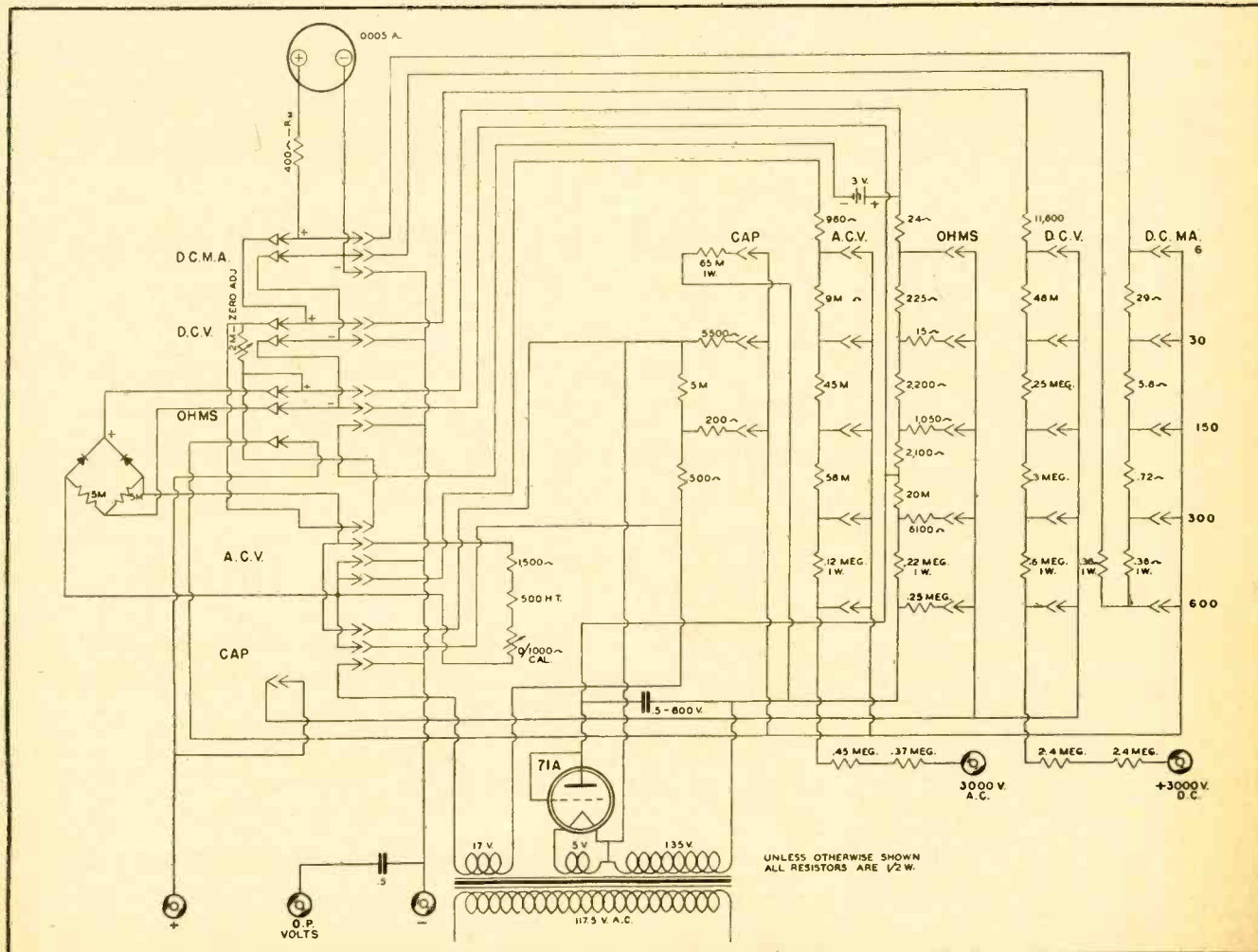


# Technical Service Portfolio

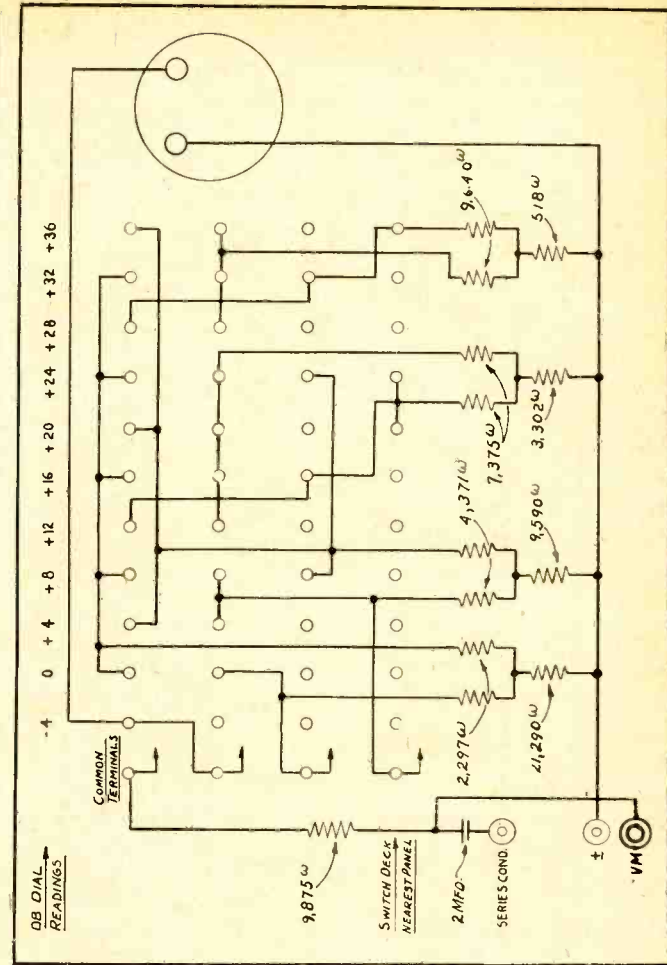
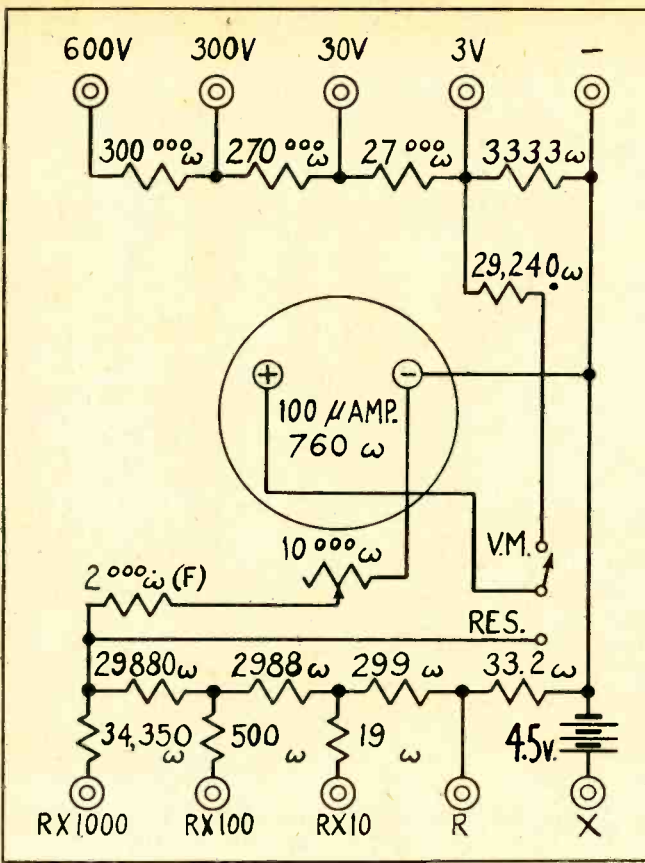
Section XLVI

## TEST EQUIPMENT CIRCUITS—Part 6

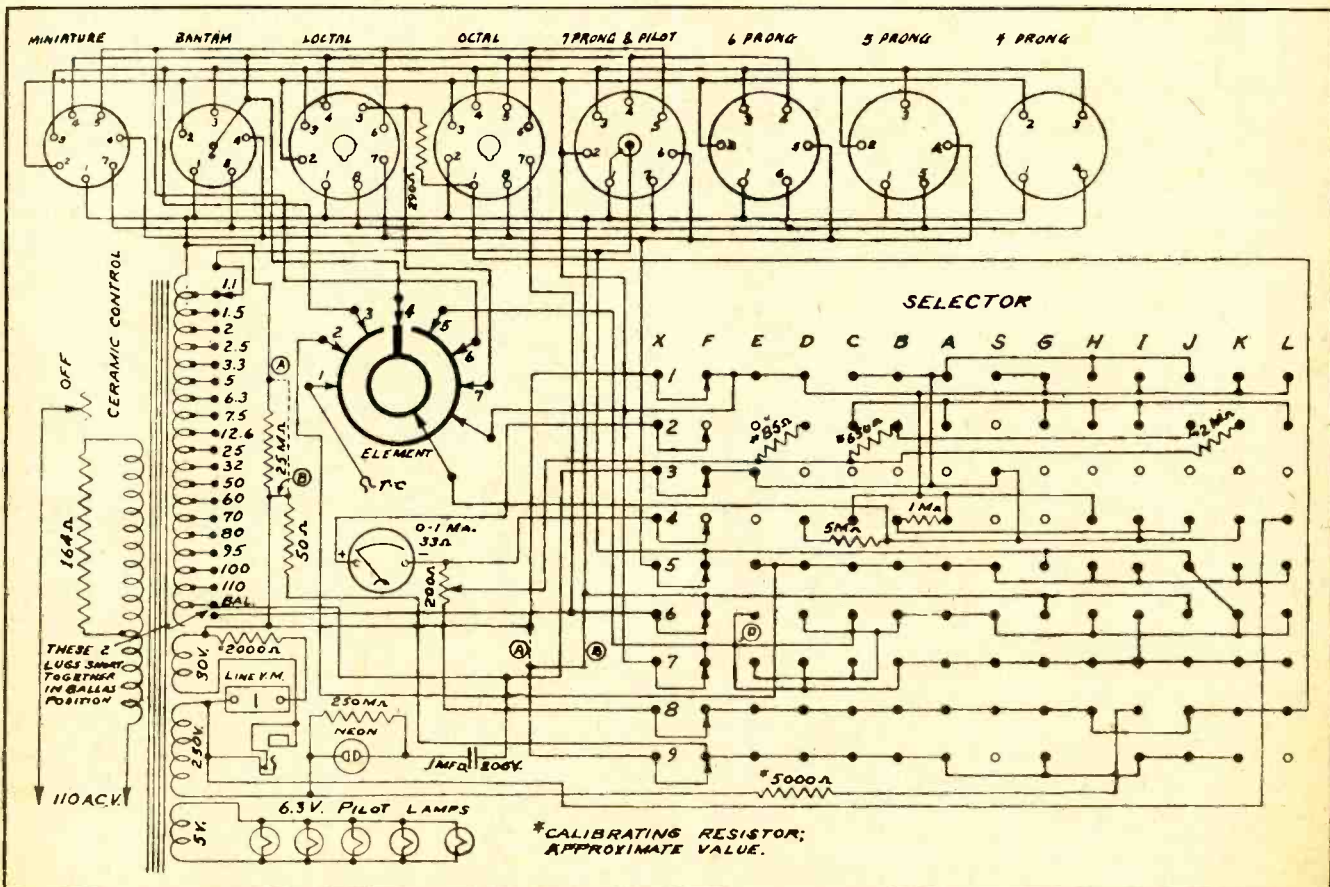
Through the cooperation of test equipment manufacturers we are publishing a series of hitherto unavailable schematics of their instruments. The circuit diagrams will be published without technical comment in a series of "Portfolios" of which this is a part. Subscribers desiring publication of circuits for specific instruments should write to Editor, Radio Service Dealer, for issue priority.



Supreme Instruments Corp. 0-3000 V. Multimeter (Model 547)



Weston Electrical Instru. Co. Above: Volt-Ohmmeter, Type 3C (Model 564). Right: Rectifier Type Voltmeter (Model 695).



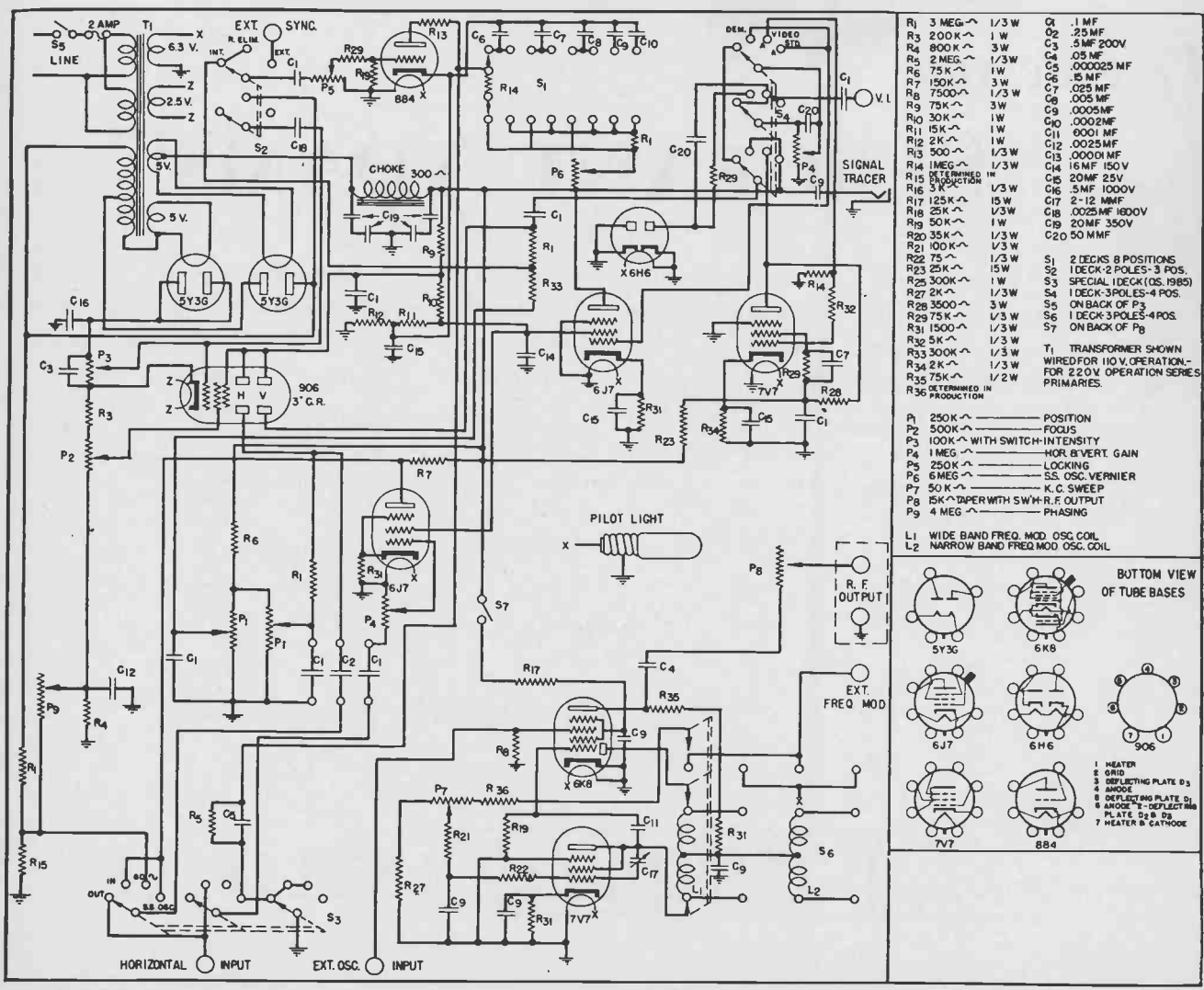
Triplet Electrical Instrument Co. Dynamic Tube Tester (1612-13)

# Technical Service Portfolio

Section XLVII

## TEST EQUIPMENT CIRCUITS-Part 7

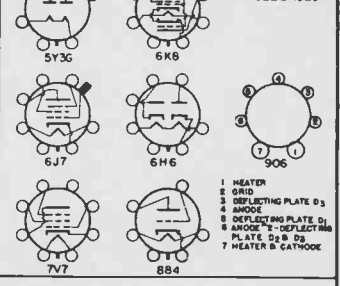
Through the cooperation of test equipment manufacturers we are publishing a series of hitherto unavailable schematics of their instruments. The circuit diagrams will be published without technical comment in a series of "Portfolios" of which this is a part. Subscribers desiring publication of circuits for specific instruments should write to Editor, Radio Service Dealer, for issue priority.



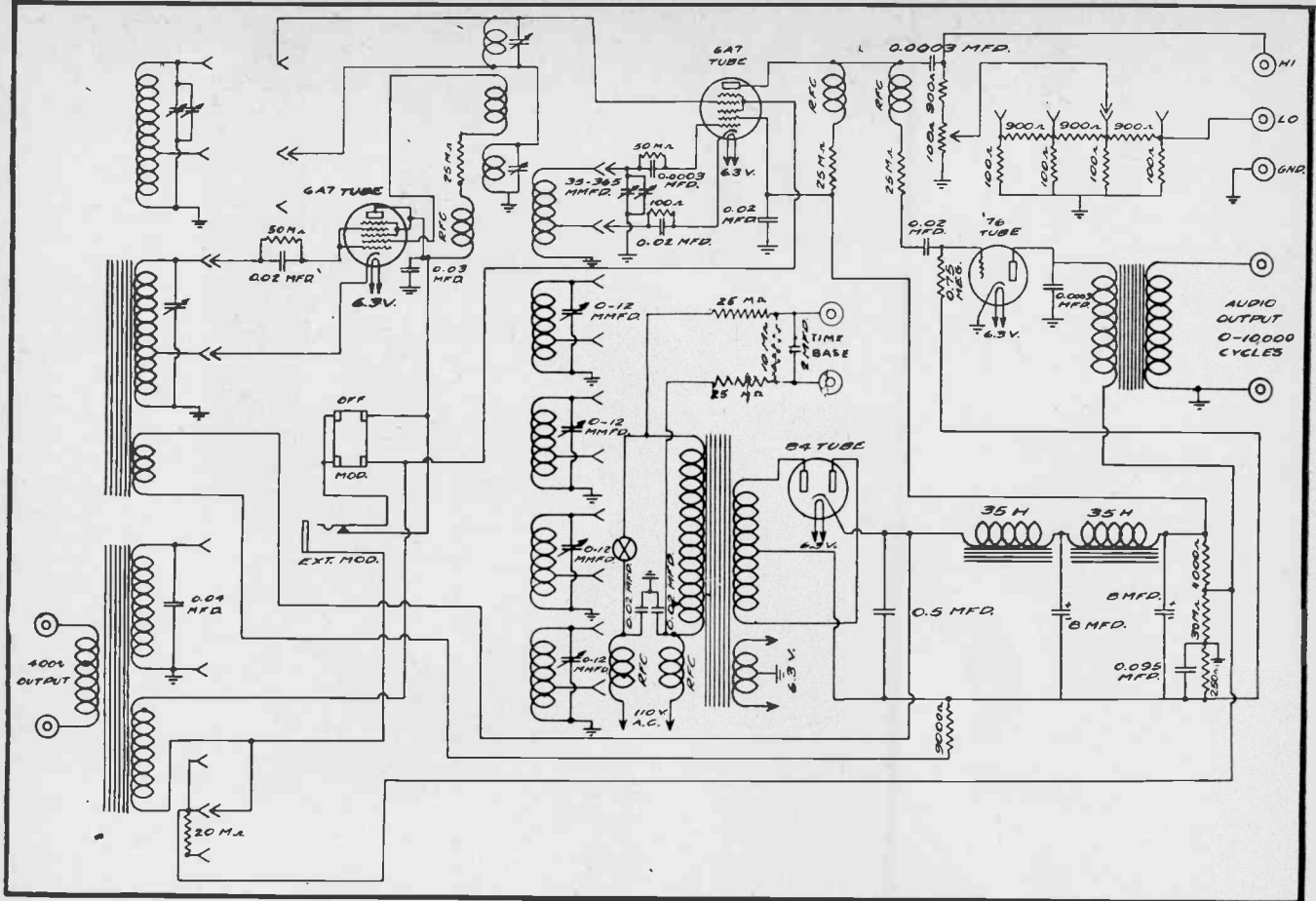
- R1 3 MEG- 1/3 W
- R3 200K- 1 W
- R4 800K- 3 W
- R5 2 MEG- 1/3 W
- R6 75K- 1 W
- R7 150K- 3 W
- R8 7500- 1/3 W
- R9 75K- 3 W
- R10 30K- 1 W
- R11 15K- 1 W
- R12 2K- 1 W
- R13 500- 1/3 W
- R14 1MEG- 1/3 W
- R15 500- 1/3 W
- R16 3K- 1/3 W
- R17 125K- 1 W
- R18 25K- 1/3 W
- R19 50K- 1 W
- R20 35K- 1/3 W
- R21 100K- 1/3 W
- R22 75- 1/3 W
- R23 25K- 1 W
- R24 300K- 1 W
- R25 2K- 1/3 W
- R26 3500- 3 W
- R27 75K- 1/3 W
- R28 1500- 1/3 W
- R29 5K- 1/3 W
- R30 300K- 1/3 W
- R31 2K- 1/3 W
- R32 75K- 1/2 W
- R33 250K- 1 W
- R34 100K- 1/3 W
- R35 50K- 1/3 W
- R36 15K- 1/3 W
- C1 .1 MF
- C2 .25 MF
- C3 .5 MF 200V
- C4 .05 MF
- C5 .00025 MF
- C6 .15 MF
- C7 .025 MF
- C8 .005 MF
- C9 .0005 MF
- C10 .0002 MF
- C11 .0001 MF
- C12 .0025 MF
- C13 .0001 MF
- C14 16 MF 150 V
- C15 20 MF 25 V
- C16 .5 MF 1000 V
- C17 2-12 MMF
- C18 .0025 MF 1600 V
- C19 20 MF 350 V
- C20 50 MMF
- S1 2 DECKS 8 POSITIONS
- S2 1 DECK 2 POLES-3 POS.
- S3 SPECIAL 1 DECK (OS. 1985)
- S4 1 DECK-3 POLES-4 POS.
- S5 ON BACK OF P3
- S6 1 DECK 3 POLES-4 POS.
- S7 ON BACK OF P6

- P1 250K- POSITION
- P2 500K- FOCUS
- P3 100K- WITH SWITCH-INTENSITY
- P4 1 MEG- HOR. SVERT GAIN
- P5 250K- LOCKING
- P6 6 MEG- S.S. OSC. VERNIER
- P7 50K- K.C. SWEEP
- P8 15K- DIPER WITH SW-R.F. OUTPUT
- P9 4 MEG- PHASING

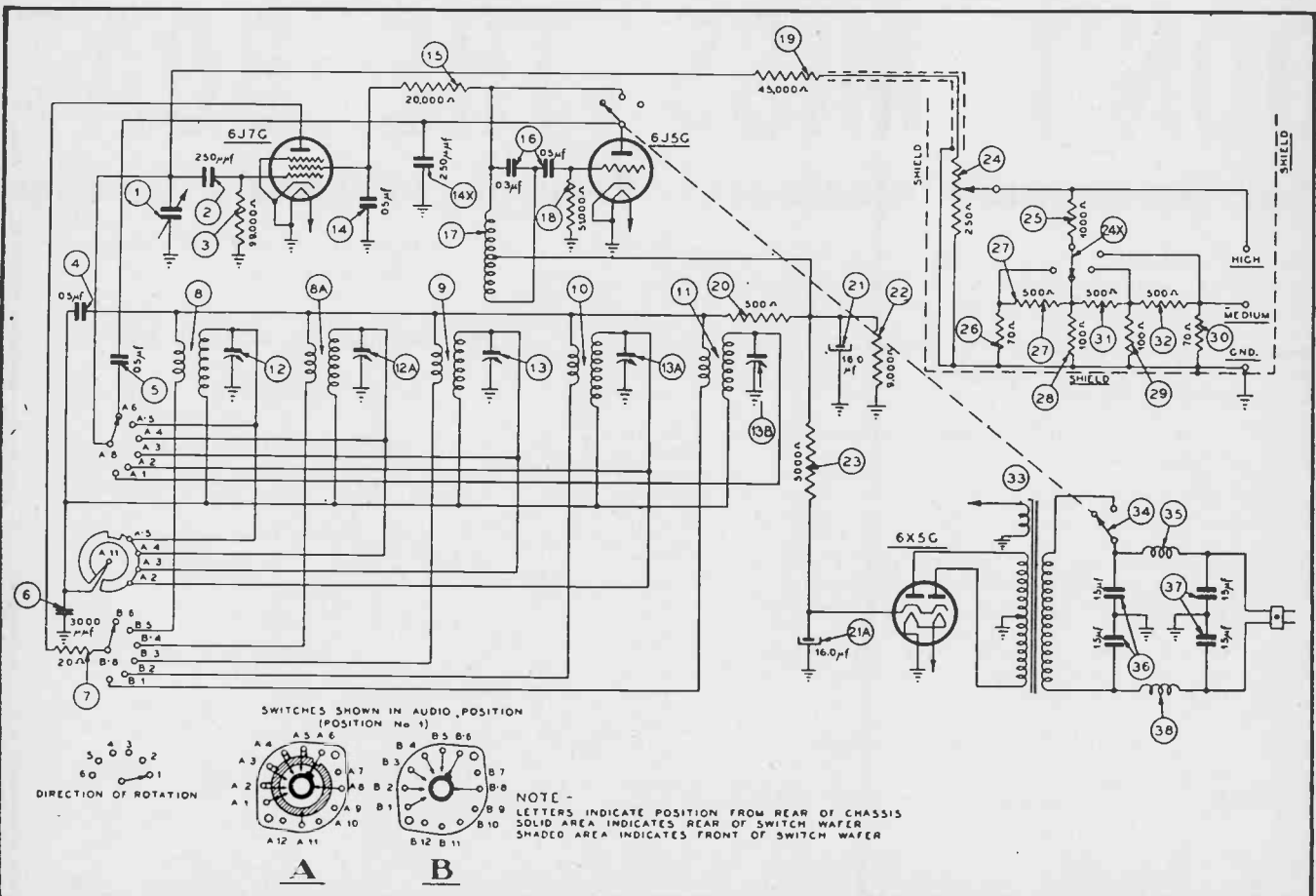
- L1 WIDE BAND FREQ. MOD. OSC. COIL
- L2 NARROW BAND FREQ. MOD. OSC. COIL



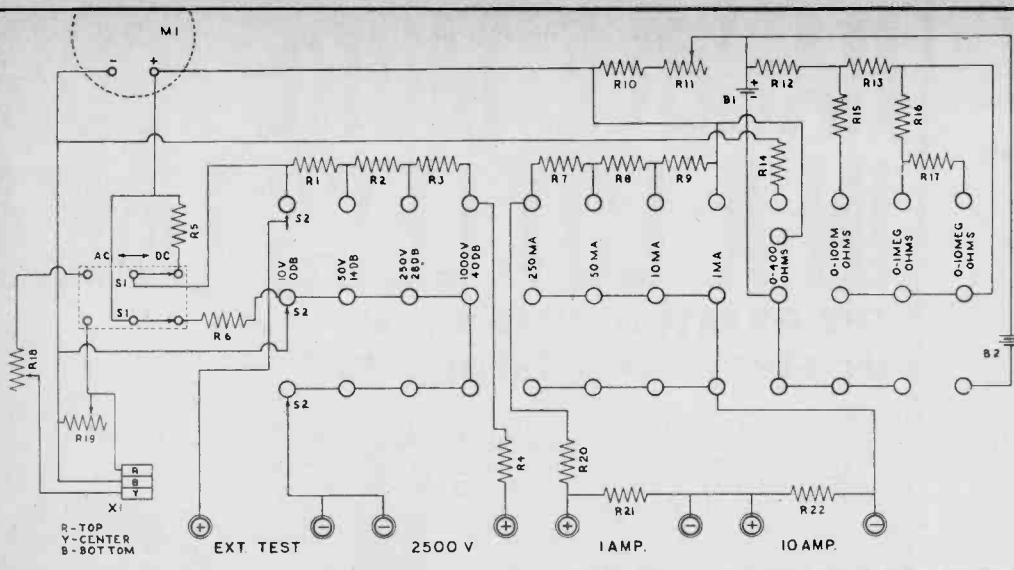
Hickok Electrical Instru. Co. Oscillograph (Model RFO5)



Supreme Instru. Corp. De Luxe Signal Generator (Model 580)

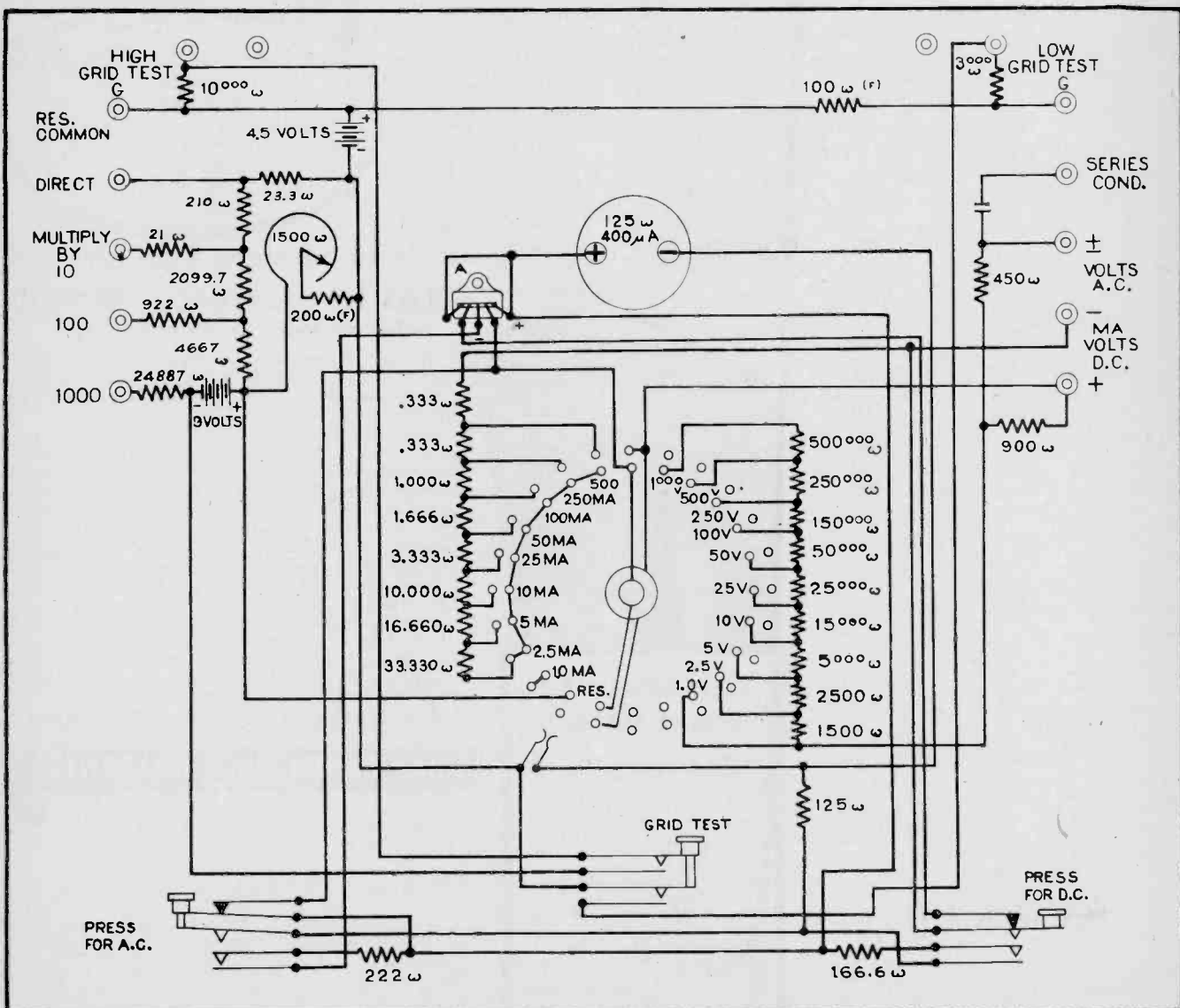


Philco Signal Generator (Model 077)



ITEM NO.	PART NO.	SPECIFICATION	STOCK NO.
28	B2	4.5V AS BURGESS Z 30N	27-108
27	B1	4.5V AS BURGESS 5360	27-101
26	R22	0.0267 $\Omega$	B-0267
25	R21	0.267 $\Omega$	B-267
24	R20	0.772 $\Omega$	B-772
23	R19	10M $\Omega$ SEALED (ADJ.)	17-108
22	R18	10M $\Omega$ SEALED (ADJ.)	17-108
21	R17	72013 $\Omega$	15-115
20	R16	7202 $\Omega$	15-115
19	R15	531 $\Omega$	15-103
18	R14	21 $\Omega$ CALIBRATED	B-21
17	R13	2592 $\Omega$	15-104
16	R12	288 $\Omega$	15-101
15	R11	550 $\Omega$ ADJUST OHMS	17-109
14	R10	475 $\Omega$	15-201
13	R9	240 $\Omega$	B-240
12	R8	2133 $\Omega$	B-2133
11	R7	4.267 $\Omega$	B-4.267
10	R6	266 $\Omega$ CALIBRATED	B-266
9	R5	9840 $\Omega$	15-113
8	R4	1.5MEG $\Omega$	15-133
7	R3	150M $\Omega$	15-130
6	R2	200M $\Omega$	15-124
5	R1	40M $\Omega$	15-117
4	M1	400 MICROAMP-160MV	12-106
3	X1	RECTIFIER	10-103
2	S2	3DECK RANGE SELECTOR	14-104
1	S1	DPDT AC-DC SELECTOR	14-101

Precision Apparatus Co. Multi-Tester (Series 842)



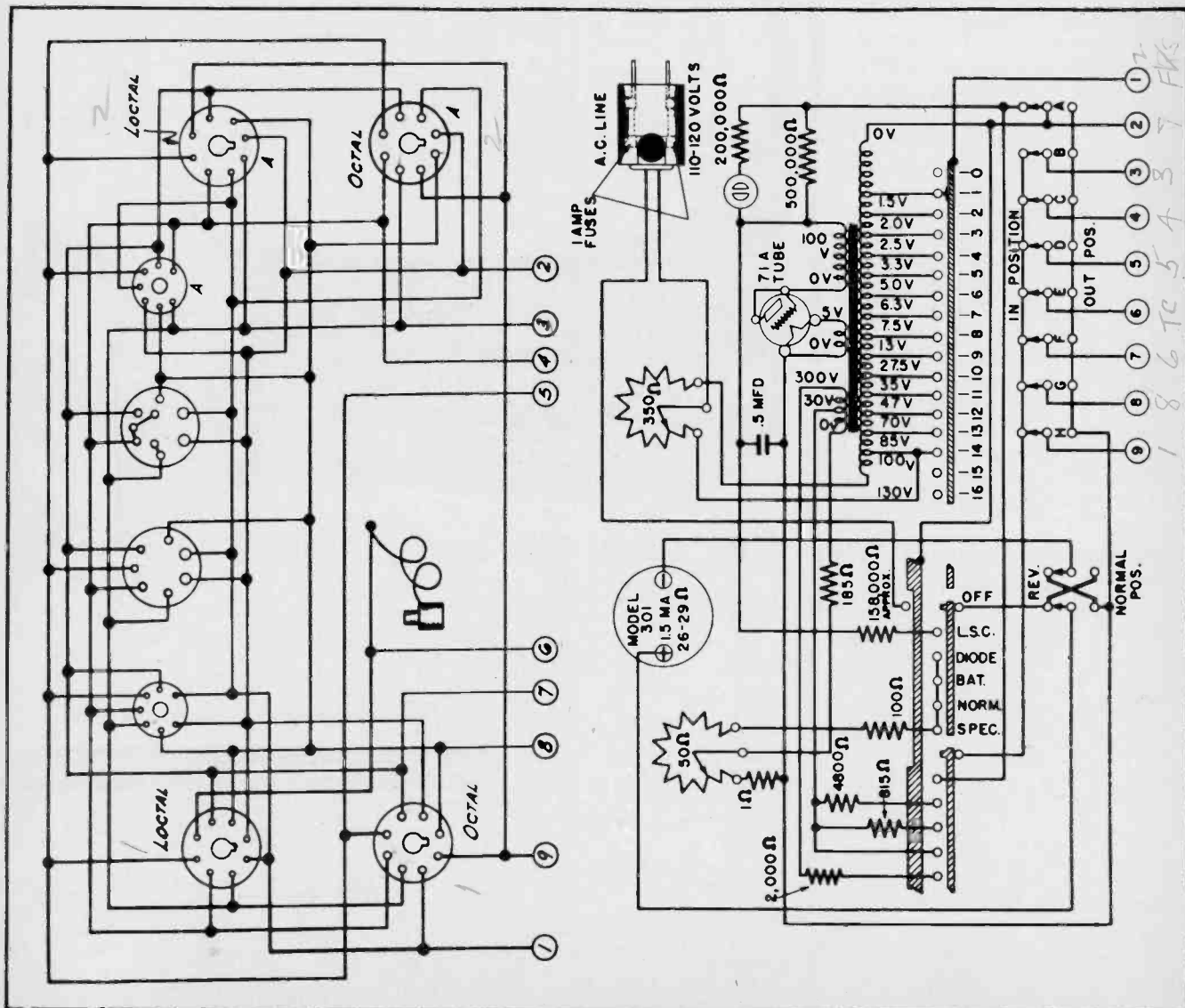
Weston Electrical Instru. Co. Volt-Ohm-Milliammeter (Model 665—Type 1)

# Technical Service Portfolio

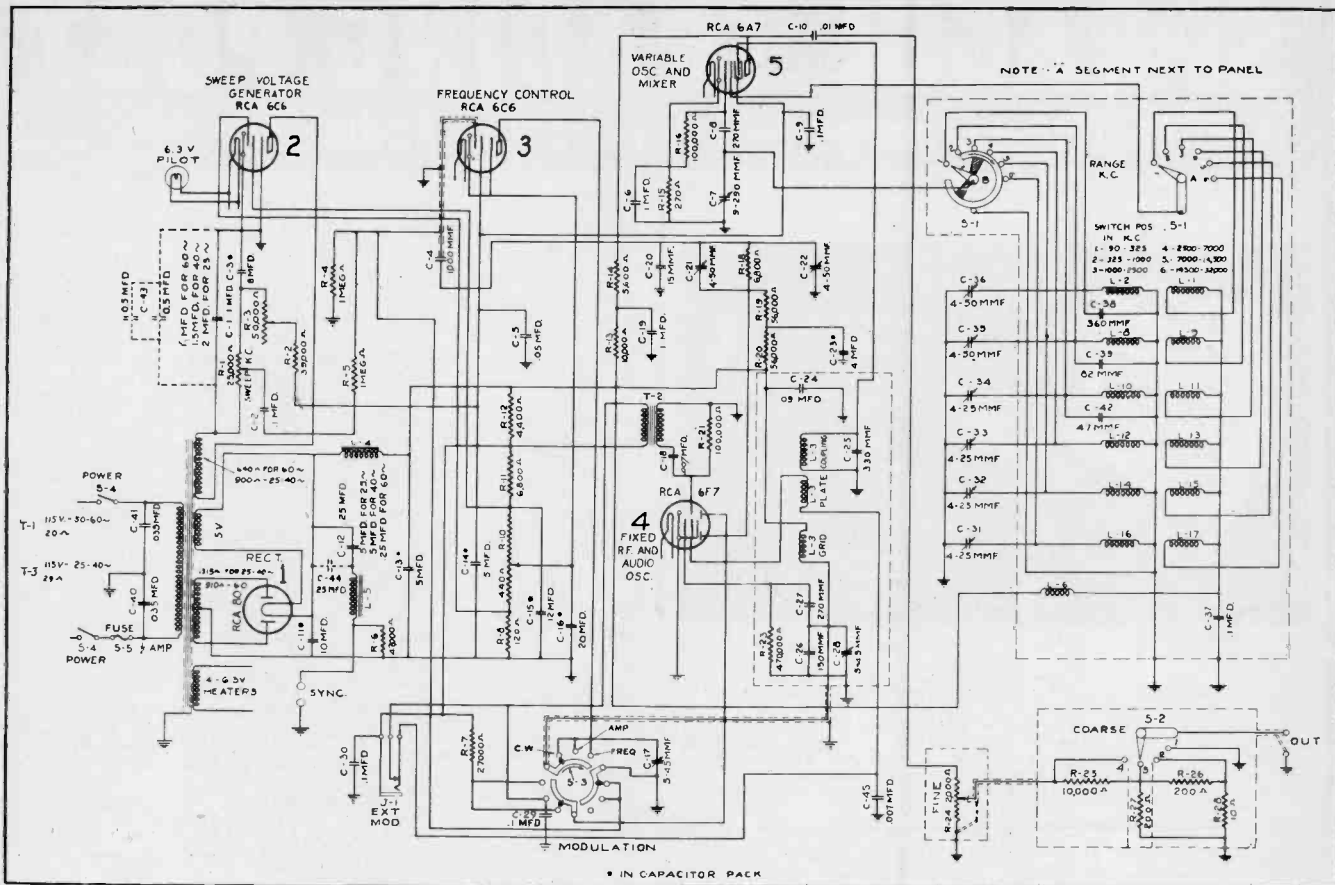
Section XLVIII

## TEST EQUIPMENT CIRCUITS—Part 8

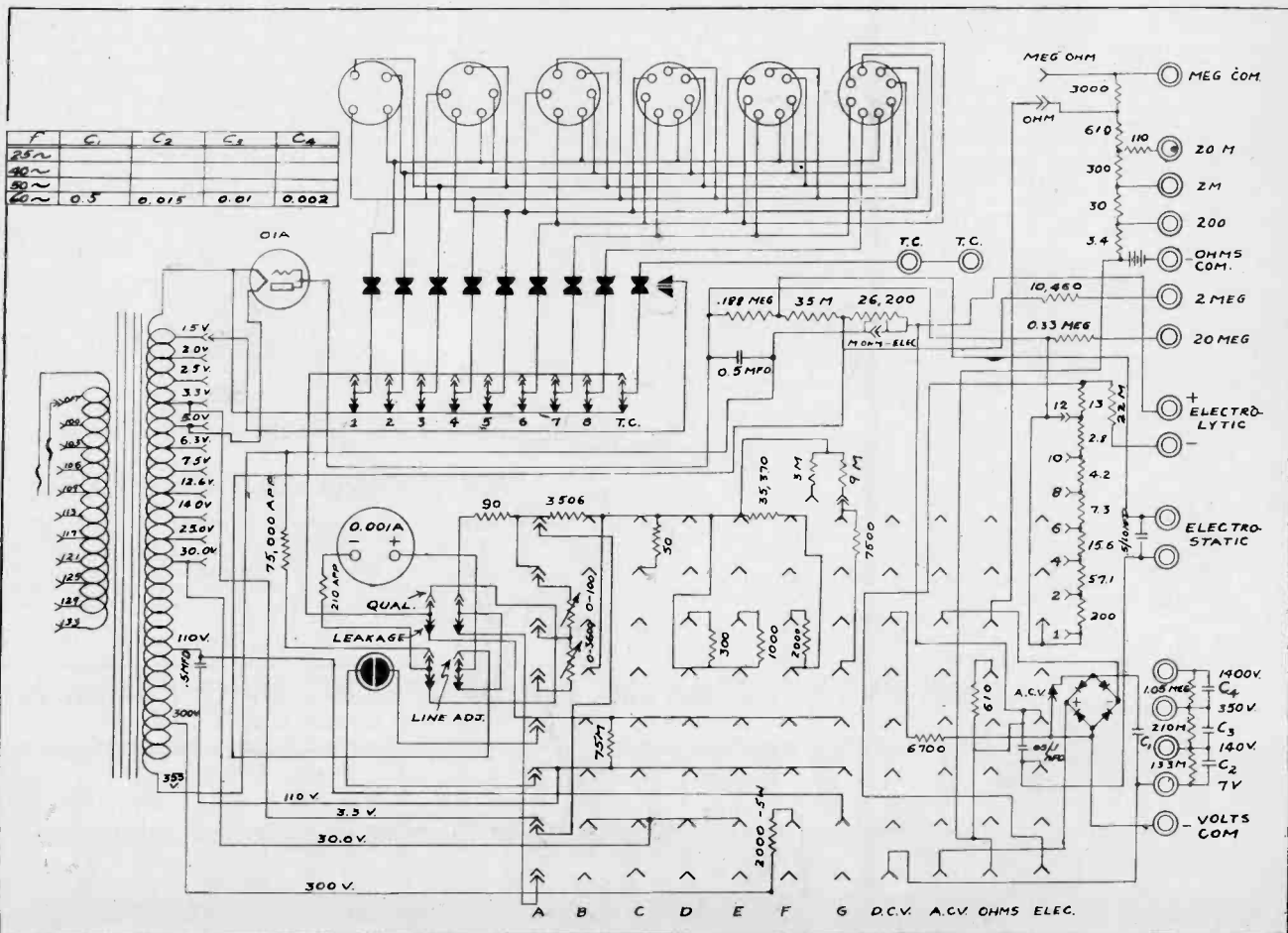
Through the cooperation of test equipment manufacturers we are publishing a series of hitherto unavailable schematics of their instruments. The circuit diagrams will be published without technical comment in a series of "Portfolios" of which this is a part. Subscribers desiring publication of circuits for specific instruments should write to Editor, Radio Service Dealer, for issue priority.



Weston Electrical Instru. Co. Tube & Battery Checker, (Model 777, Type 8 & 9)



Radio Corp. of America C-R Oscilloscope (Model 150-1)



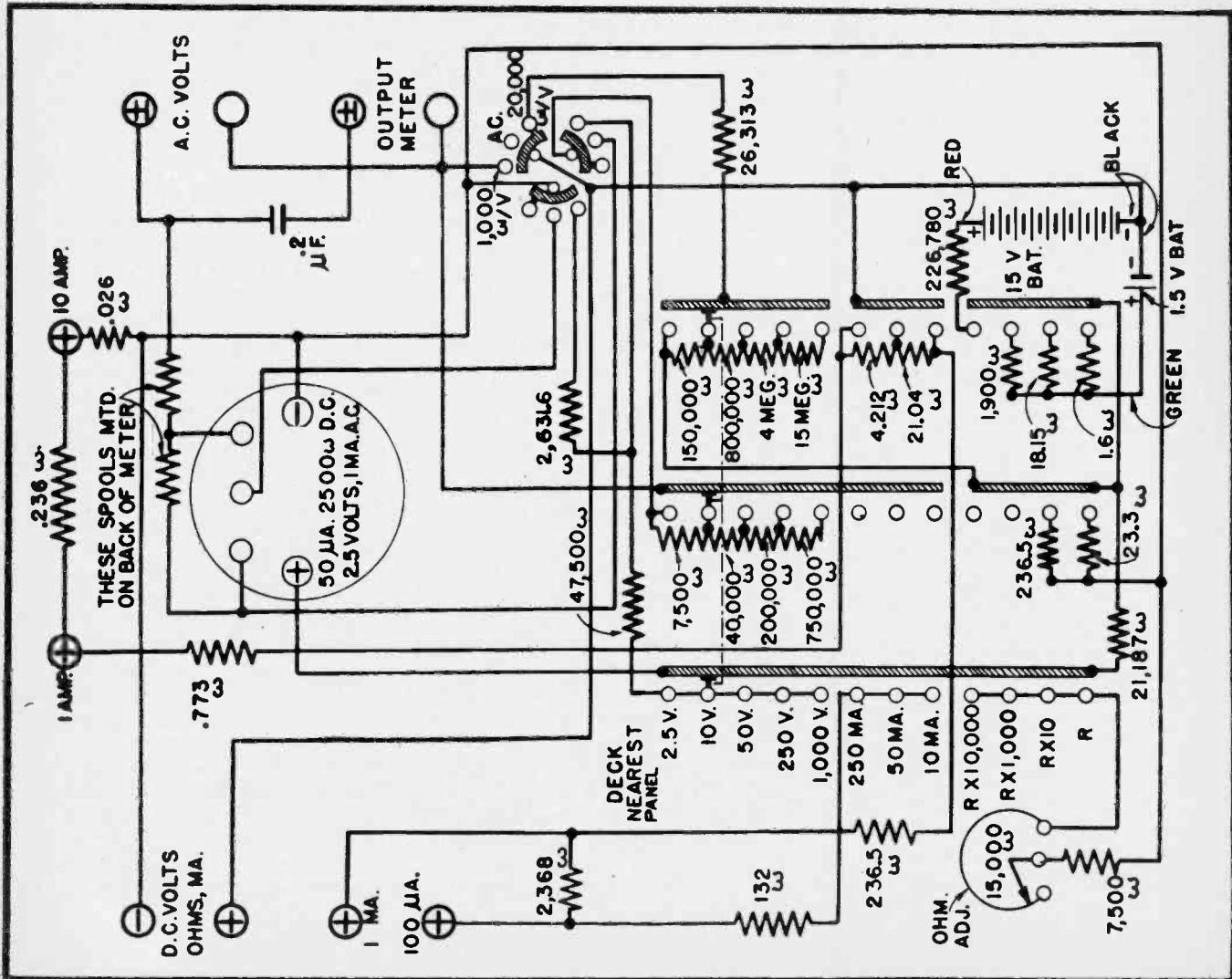
Supreme Instrument Corp. Tube Tester (Model 502)

# Technical Service Portfolio

Section XLIX

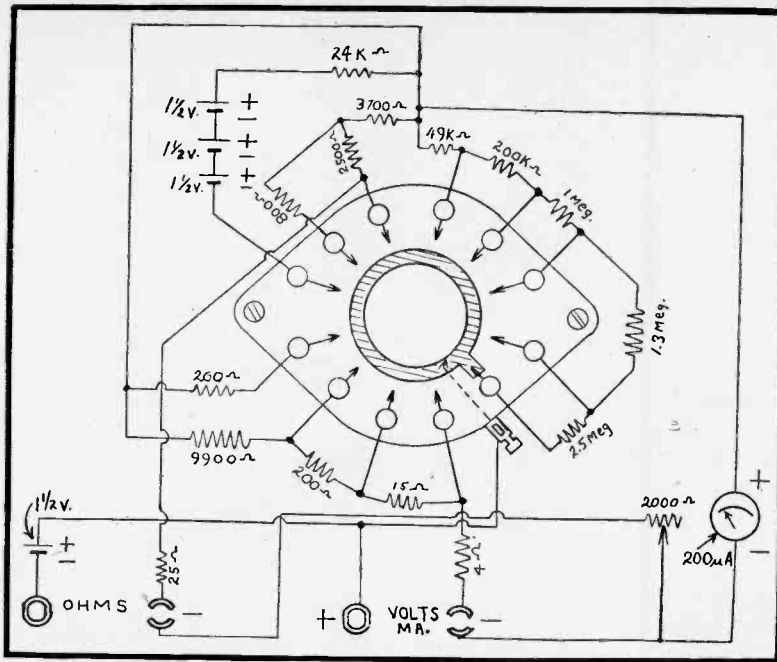
## TEST EQUIPMENT CIRCUITS—Part 9

Through the cooperation of test equipment manufacturers we are publishing a series of hitherto unavailable schematics of their instruments. The circuit diagrams will be published without technical comment in a series of "Portfolios" of which this is a part. Subscribers desiring publication of circuits for specific instruments should write to Editor, Radio Service Dealer, for issue priority.

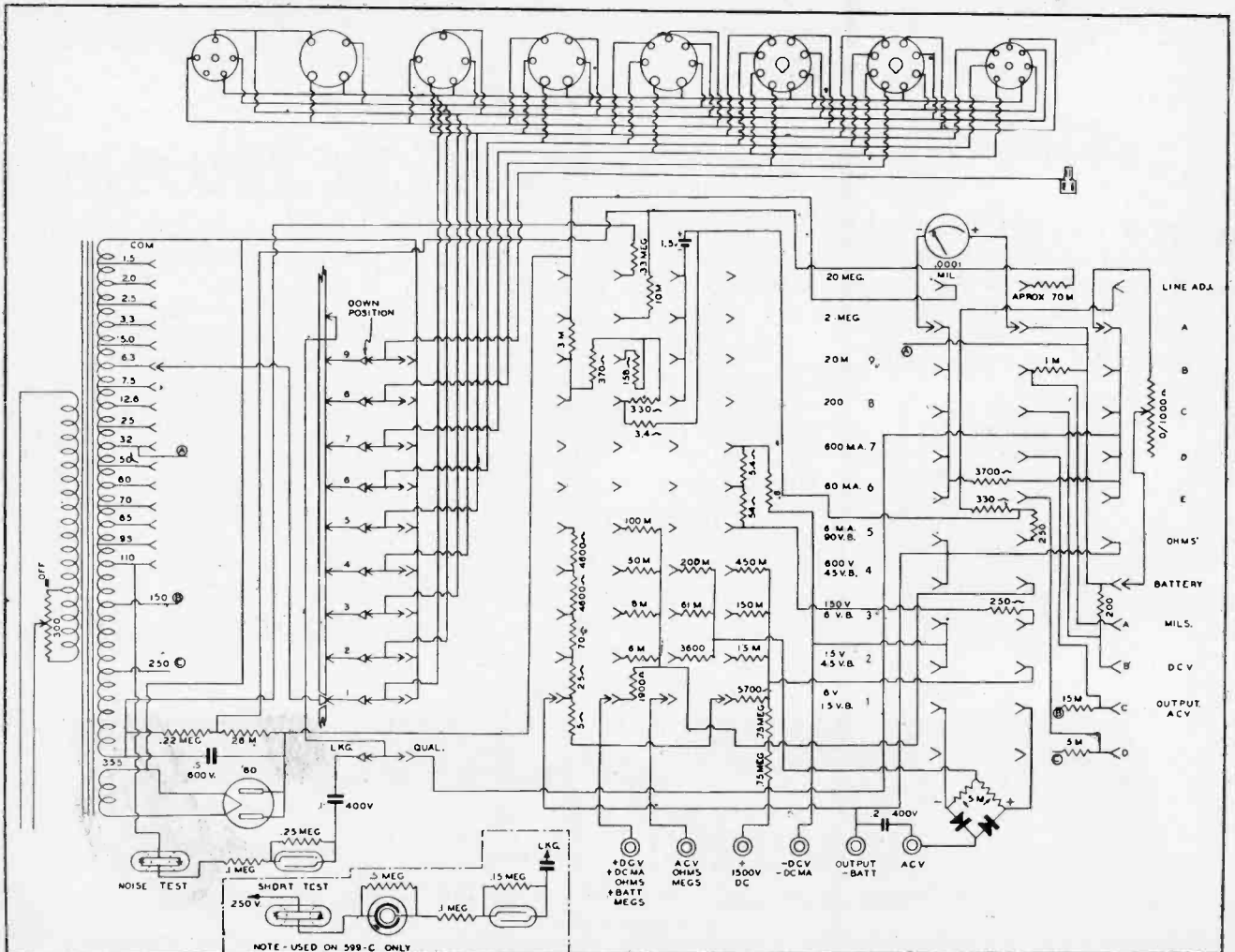


Weston Electrical Instru. Co. Multi Purpose Analyzer (Model 772, Type 6)

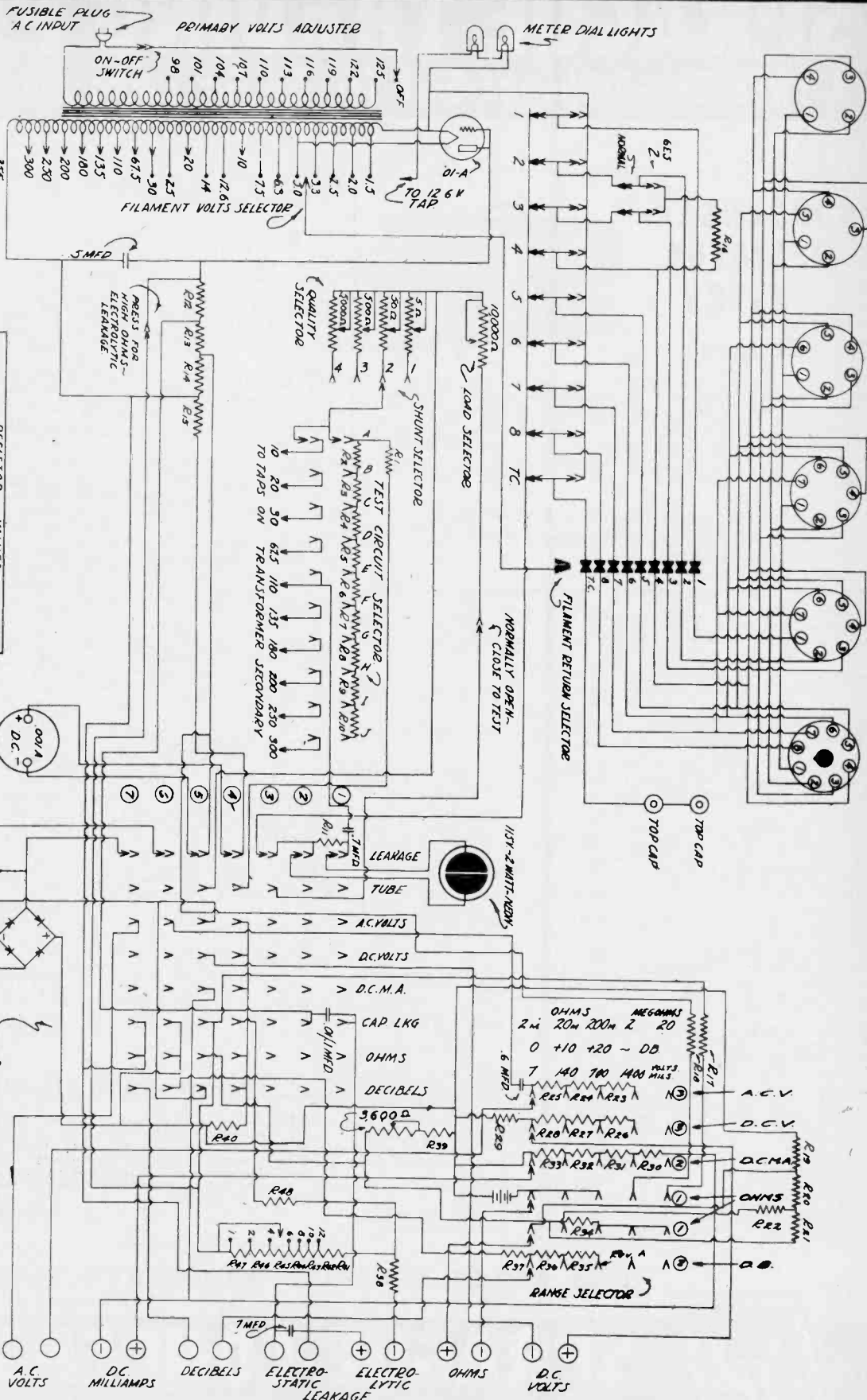




Philco Corp. Volt-Ohm-Milliammeter  
(Model 023)



Supreme Instru. Corp. Tube-Set-Battery Tester (Model 599)



RESISTOR VALUES	
R1	1.5K
R2	1.25K
R3	1.83K
R4	4.87K
R5	4.21K
R6	4.54K
R7	2.04K
R8	2.39K
R9	6.49K
R10	6.49K
R11	2.97K
R12	1.78K
R13	1.88K
R14	0.35K
R15	4.87K
R16	4.21K
R17	4.54K
R18	2.04K
R19	2.39K
R20	6.49K
R21	6.49K
R22	2.97K
R23	1.78K
R24	1.88K
R25	0.35K
R26	4.87K
R27	4.21K
R28	4.54K
R29	2.04K
R30	2.39K
R31	6.49K
R32	6.49K
R33	2.97K
R34	1.78K
R35	1.88K
R36	0.35K
R37	4.87K
R38	4.21K
R39	4.54K
R40	2.04K
R41	2.39K
R42	6.49K
R43	6.49K
R44	2.97K
R45	1.78K
R46	1.88K
R47	0.35K
R48	4.87K
R49	4.21K
R50	4.54K
R51	2.04K
R52	2.39K
R53	6.49K
R54	6.49K
R55	2.97K
R56	1.78K
R57	1.88K
R58	0.35K
R59	4.87K
R60	4.21K
R61	4.54K
R62	2.04K
R63	2.39K
R64	6.49K
R65	6.49K
R66	2.97K
R67	1.78K
R68	1.88K
R69	0.35K
R70	4.87K
R71	4.21K
R72	4.54K
R73	2.04K
R74	2.39K
R75	6.49K
R76	6.49K
R77	2.97K
R78	1.78K
R79	1.88K
R80	0.35K
R81	4.87K
R82	4.21K
R83	4.54K
R84	2.04K
R85	2.39K
R86	6.49K
R87	6.49K
R88	2.97K
R89	1.78K
R90	1.88K
R91	0.35K
R92	4.87K
R93	4.21K
R94	4.54K
R95	2.04K
R96	2.39K
R97	6.49K
R98	6.49K
R99	2.97K
R100	1.78K

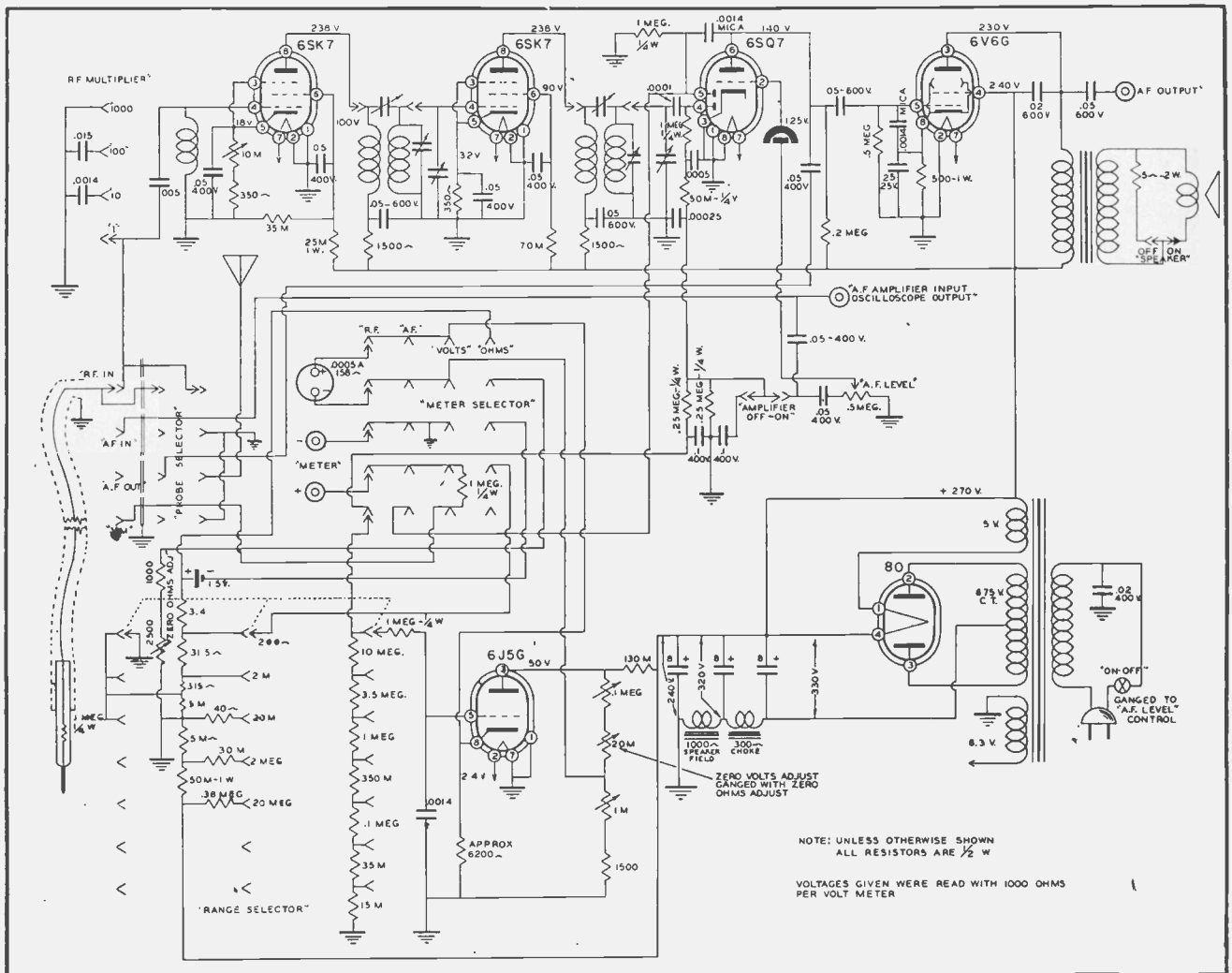
Supreme Instru. Corp. De-Luxe Tube Tester (Model 500)

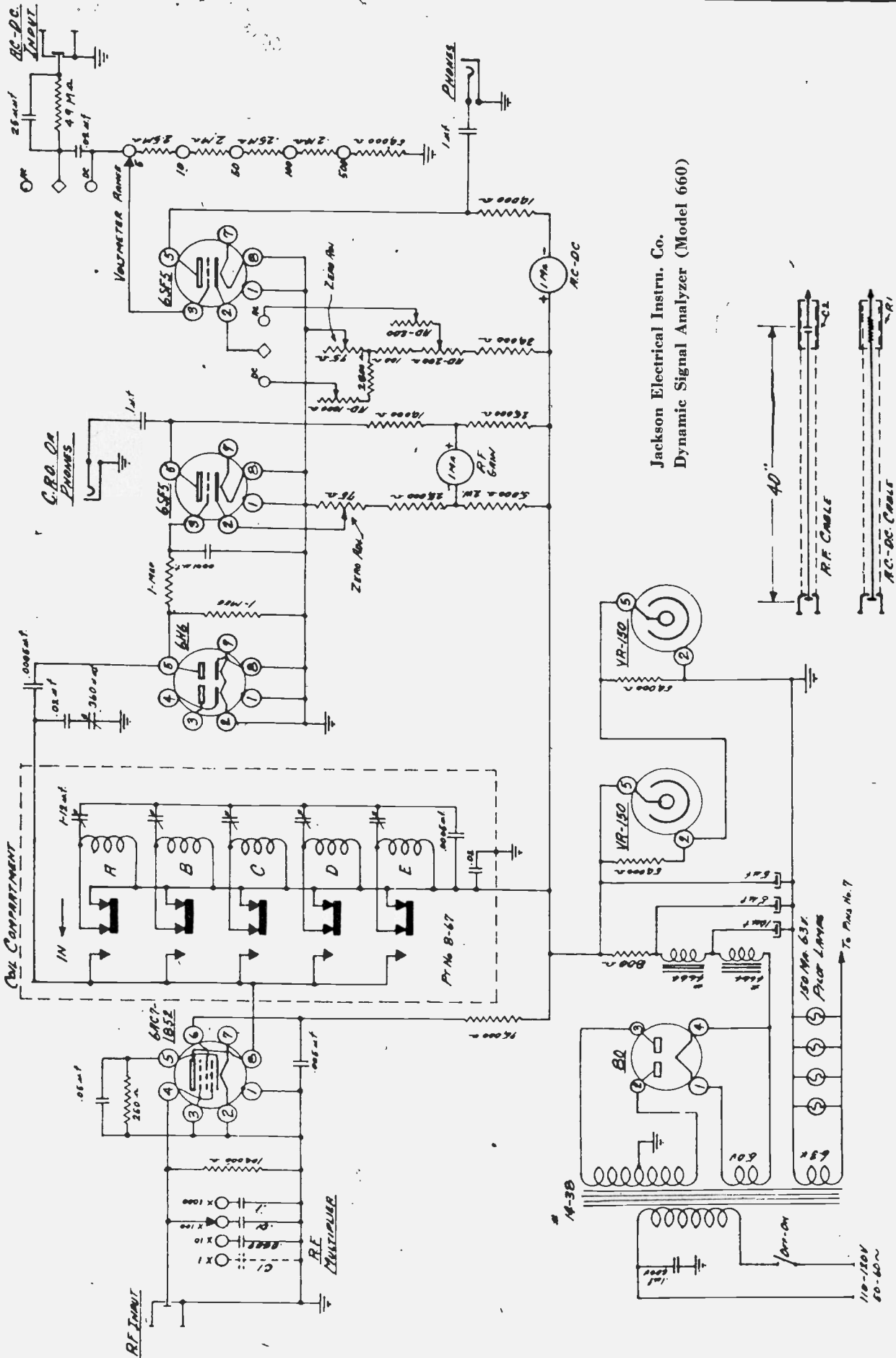
# Technical Service Portfolio

Section L

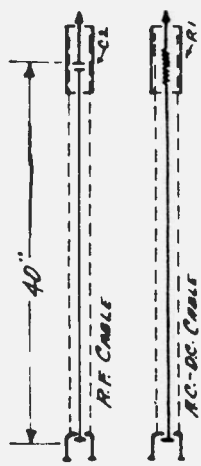
## TEST EQUIPMENT CIRCUITS—Part 10

Through the cooperation of test equipment manufacturers we are publishing a series of hitherto unavailable schematics of their instruments. The circuit diagrams will be published without technical comment in a series of "Portfolios" of which this is a part. Subscribers desiring publication of circuits for specific instruments should write to Editor, Radio Service Dealer, for issue priority.





Jackson Electrical Instru. Co.  
Dynamic Signal Analyzer (Model 660)



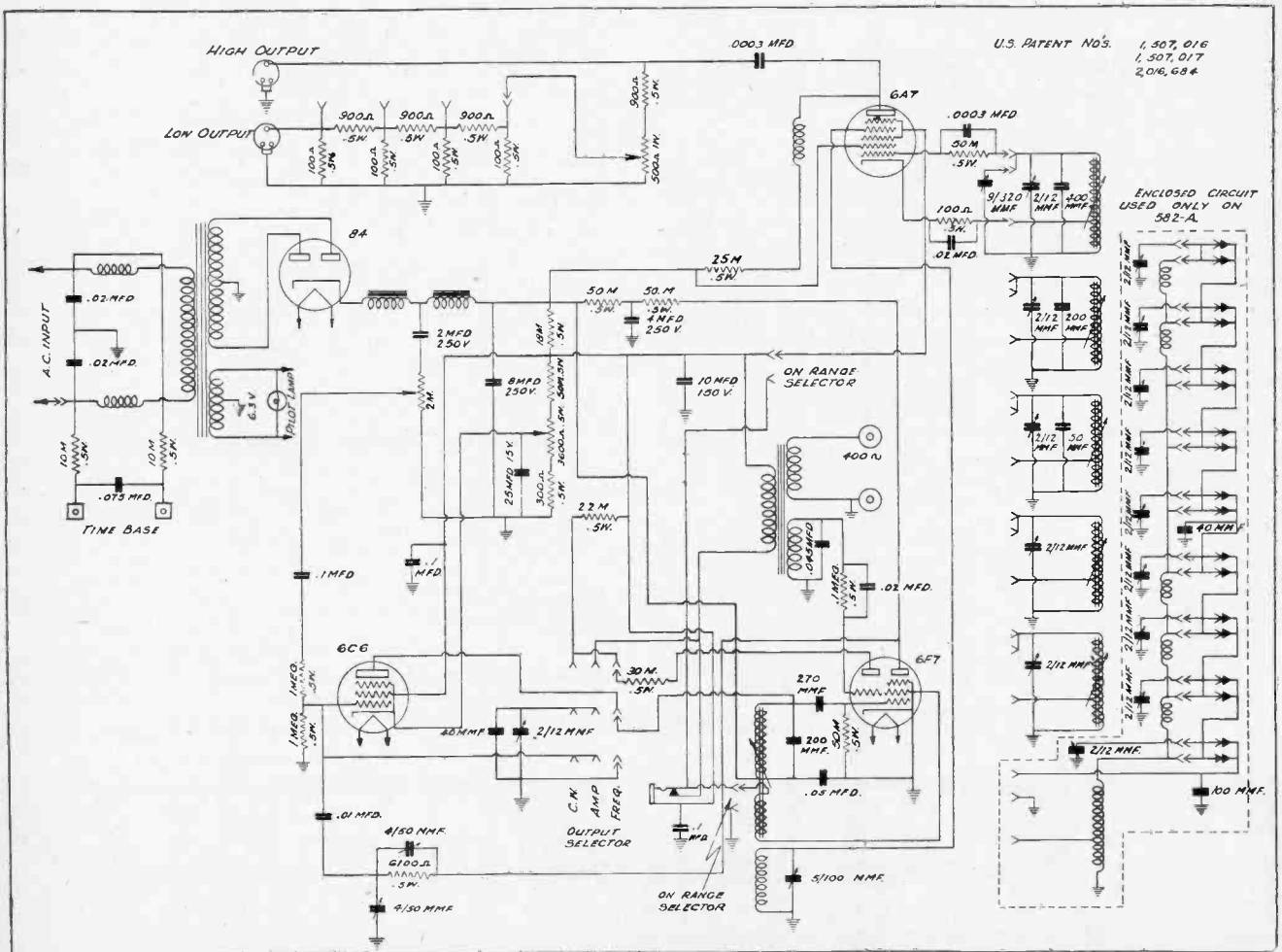
110-120V  
50-60~

# Technical Service Portfolio

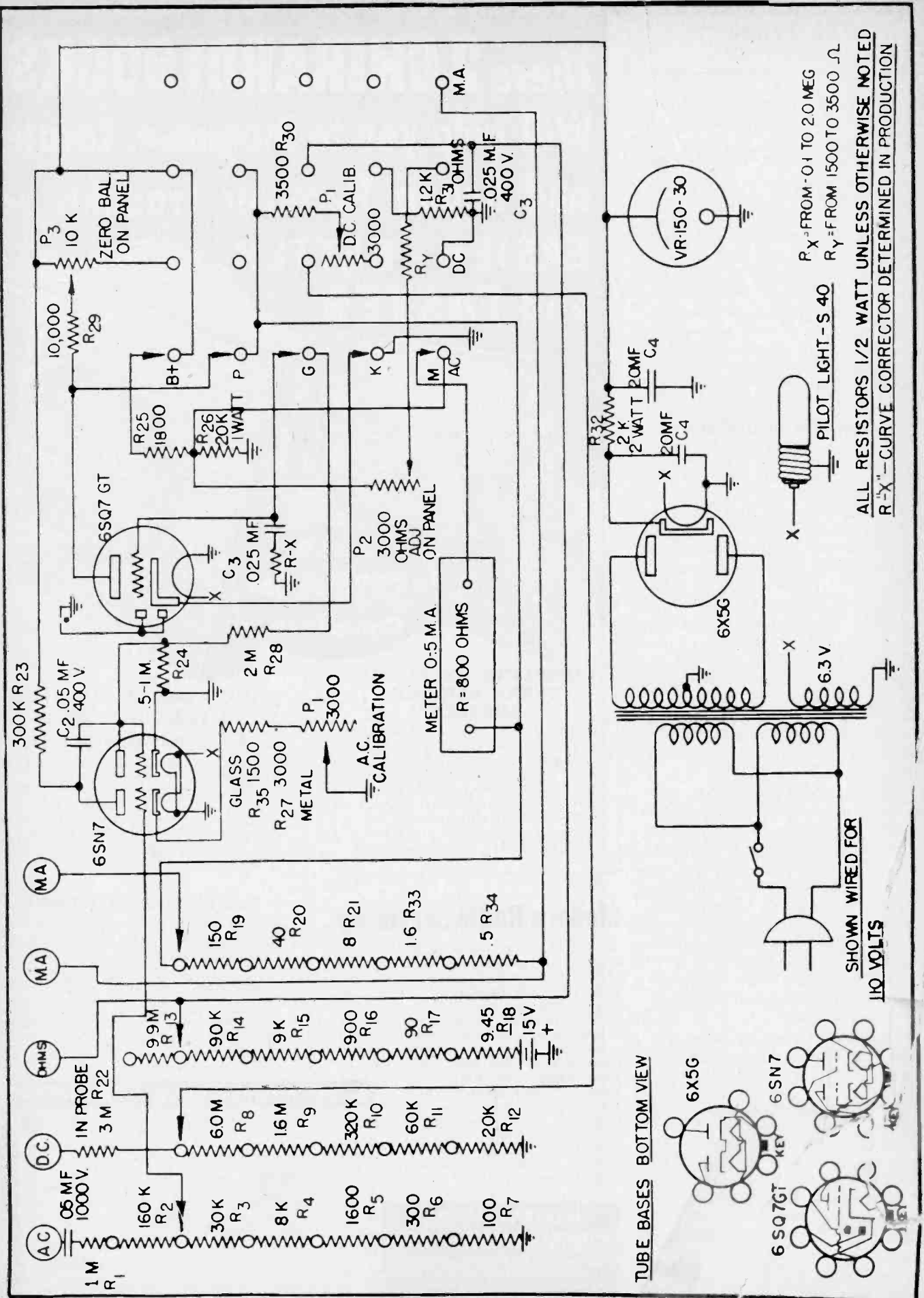
## Section LI

### TEST EQUIPMENT CIRCUITS—Part II

Through the cooperation of test equipment manufacturers we are publishing a series of hitherto unavailable schematics of their instruments. The circuit diagrams will be published without technical comment in a series of "Portfolios" of which this is a part. Subscribers desiring publication of circuits for specific instruments should write to Editor, Radio Service Dealer, for issue priority.



Supreme Instrument Corp. Signal Generator, Model 582 and 582A.



Hickok Electrical Instrument Co. Volt-Ohm-Milliammeter, Model 202.

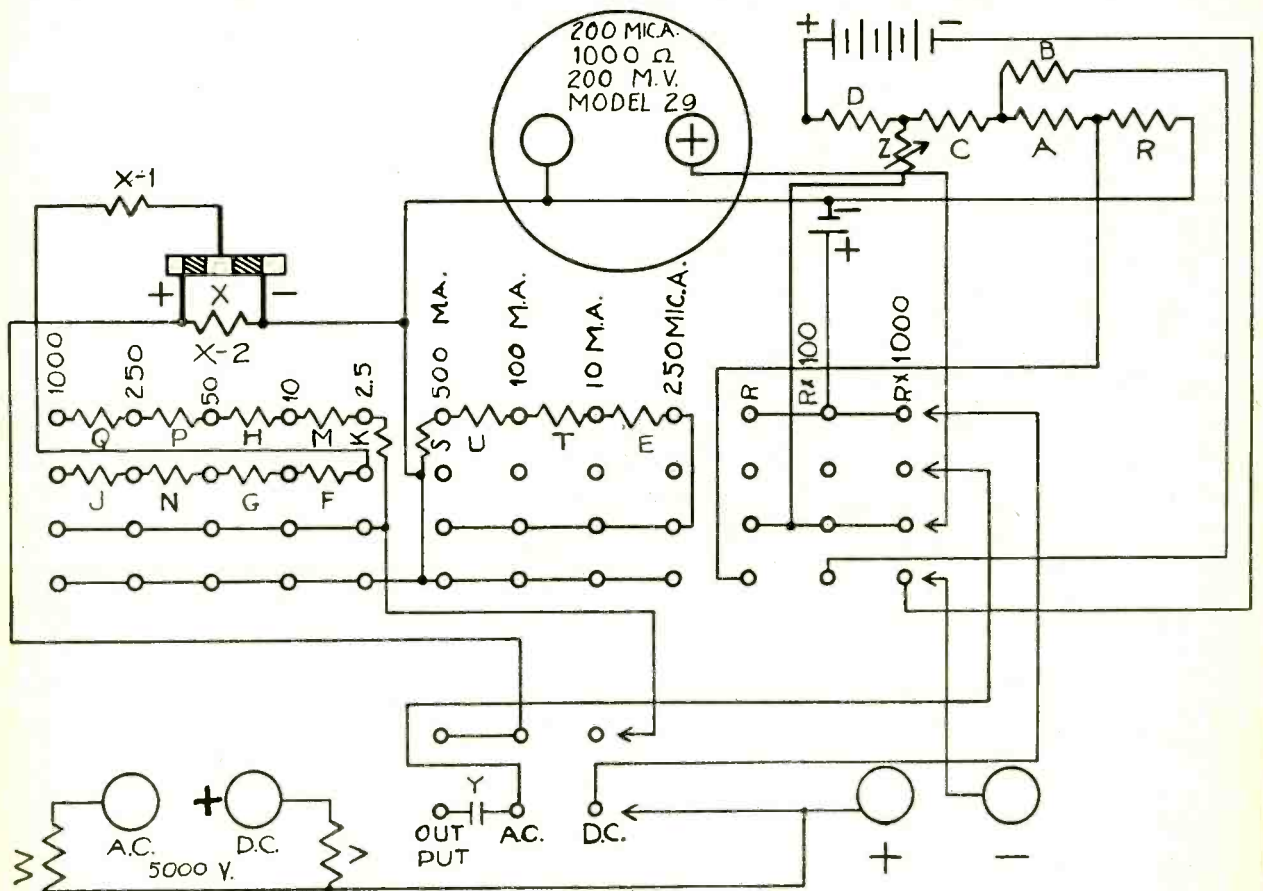
# Technical Service Portfolio

Section LII

## TEST EQUIPMENT CIRCUITS—Part 12

Through the cooperation of test equipment manufacturers we are publishing a series of hitherto unavailable schematics of their instruments. The circuit diagrams will be published without technical comment in a series of "Portfolios" of which this is a part. Subscribers desiring publication of circuits for specific instruments should write to Editor, Radio Service Dealer, for issue priority.

A	2,752 Ω	X	RECTIFIER
B	1,050 Ω	X1	RECT SERIES
C	2,700 Ω	X2	RECT SHUNT
D	26,520 Ω	Y	.1 MFD COND
E	3,900 Ω	Z	2,000 Ω POT
F	7,500 Ω		
G	40,000 Ω		
H	200,000 Ω		
J	750,000 Ω		
K	11.5 M Ω		
M	37,500 Ω		
N	200,000 Ω		
P	1,000,000 Ω		
Q	3,750,000 Ω		
R	27.8 Ω		
S	2 Ω		
T	90 Ω		
U	8 Ω		
V	20 MEG Ω		
W	4 MEG Ω		



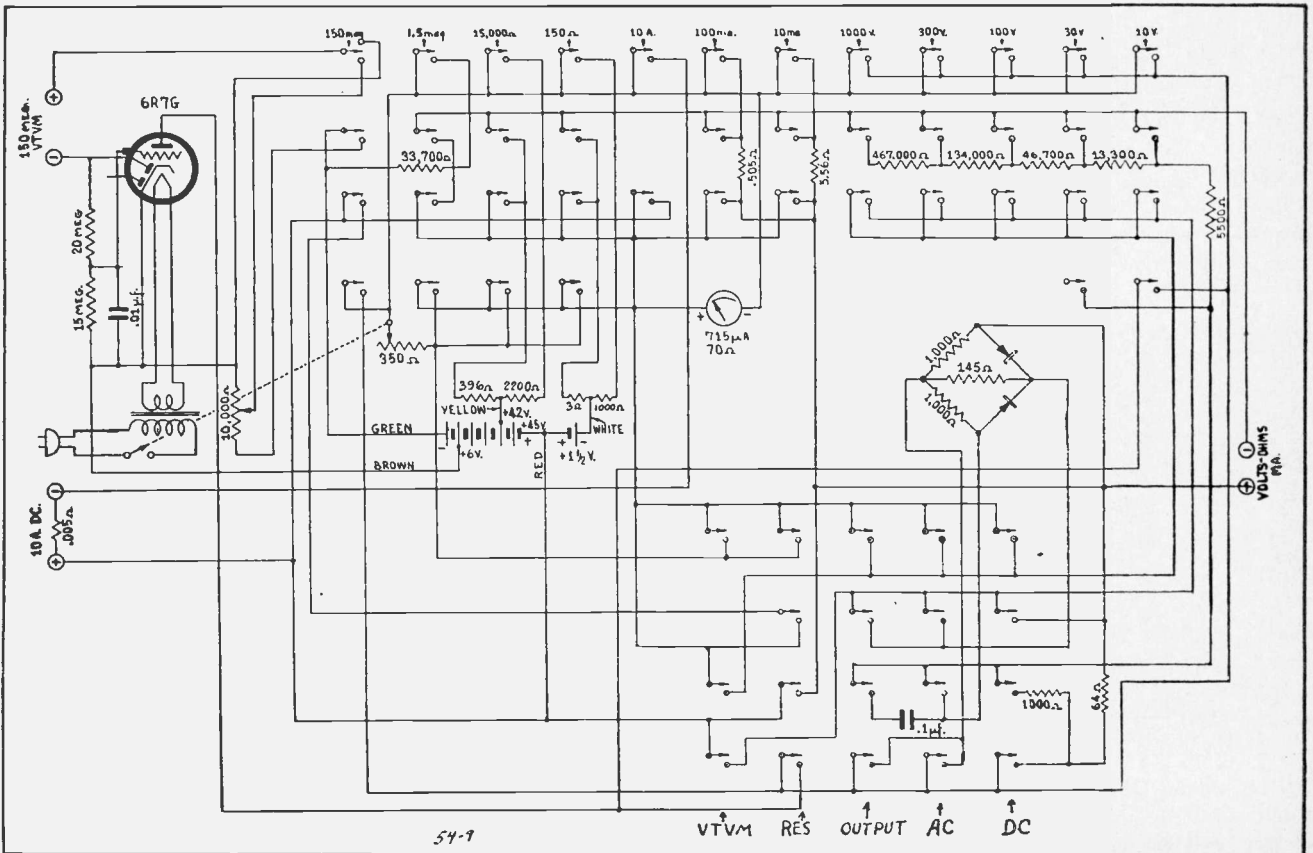
Simpson Electric Co. AC-DC Volt-Ohm-Milliammeter, Model WD-215

# Technical Service Portfolio

Section LIII

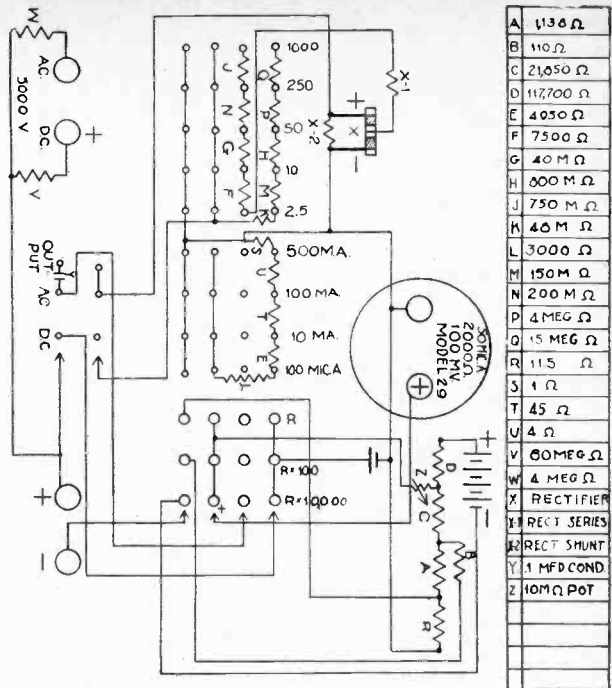
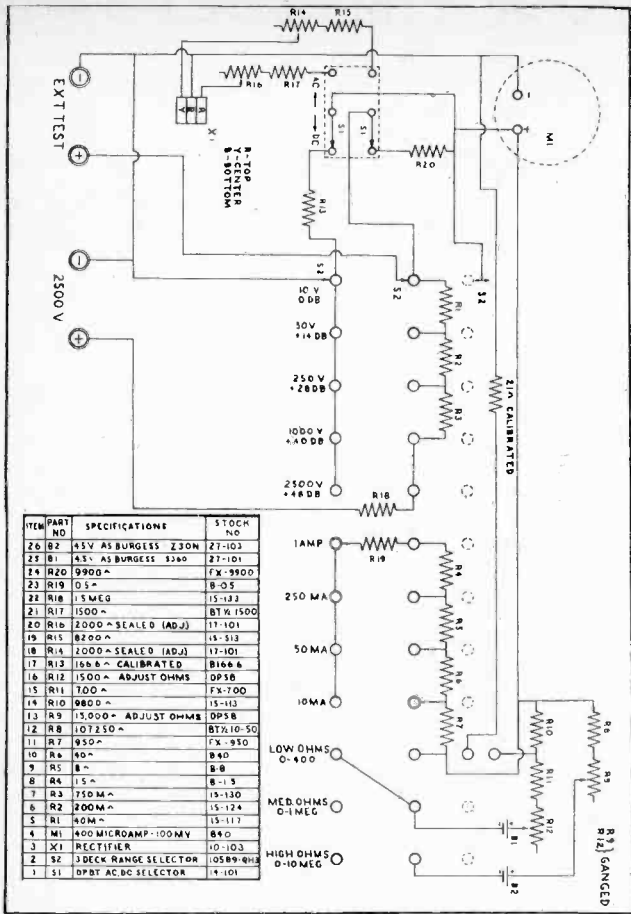
## TEST EQUIPMENT CIRCUITS—Part 13

Through the cooperation of test equipment manufacturers we are publishing a series of hitherto unavailable schematics of their instruments. The circuit diagrams will be published without technical comment in a series of "Portfolios" of which this is a part. Subscribers desiring publication of circuits for specific instruments should write to Editor, Radio Service Dealer, for issue priority.



Philco Corp. Vacuum Tube Voltmeter, Model 027

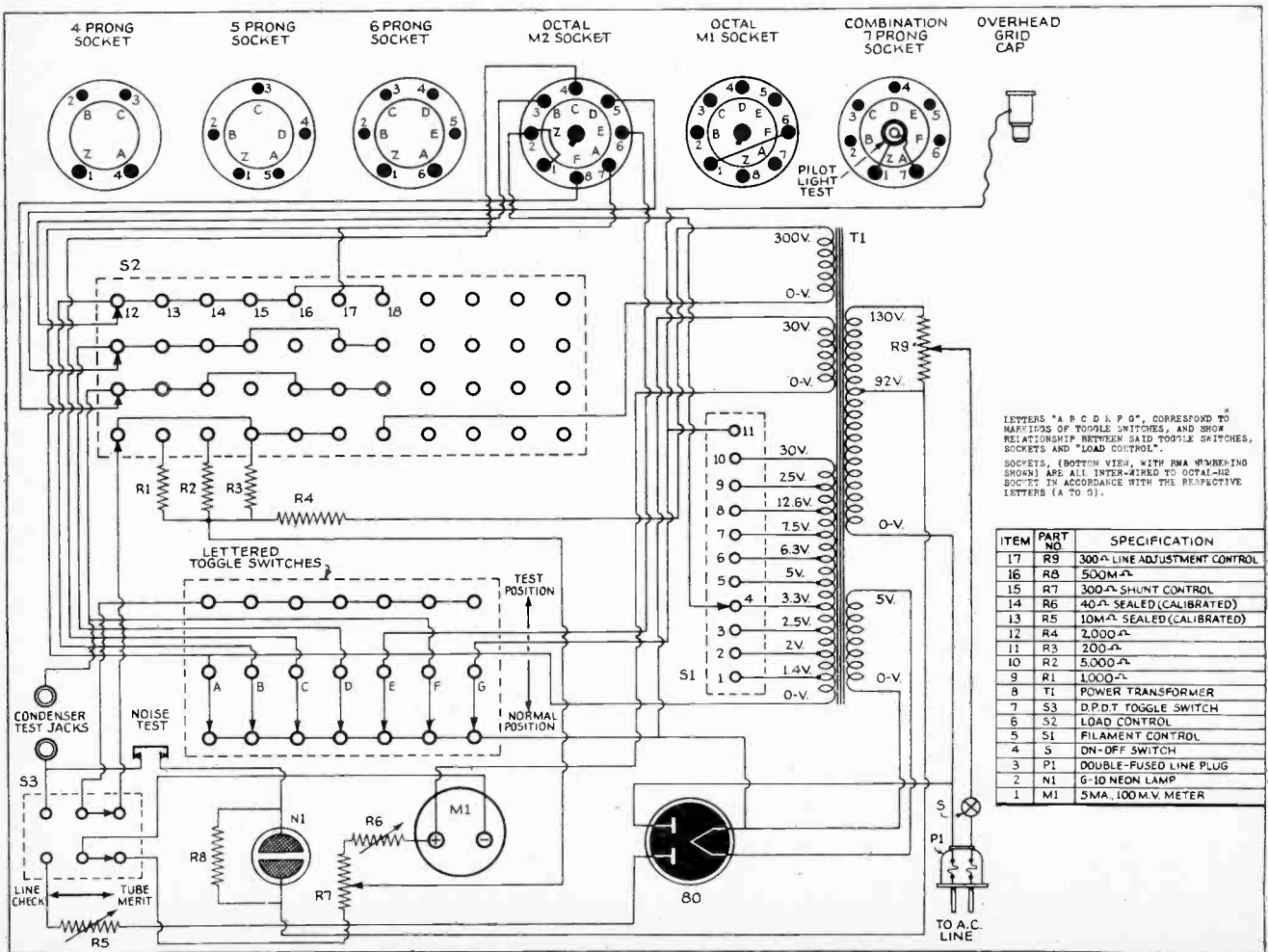


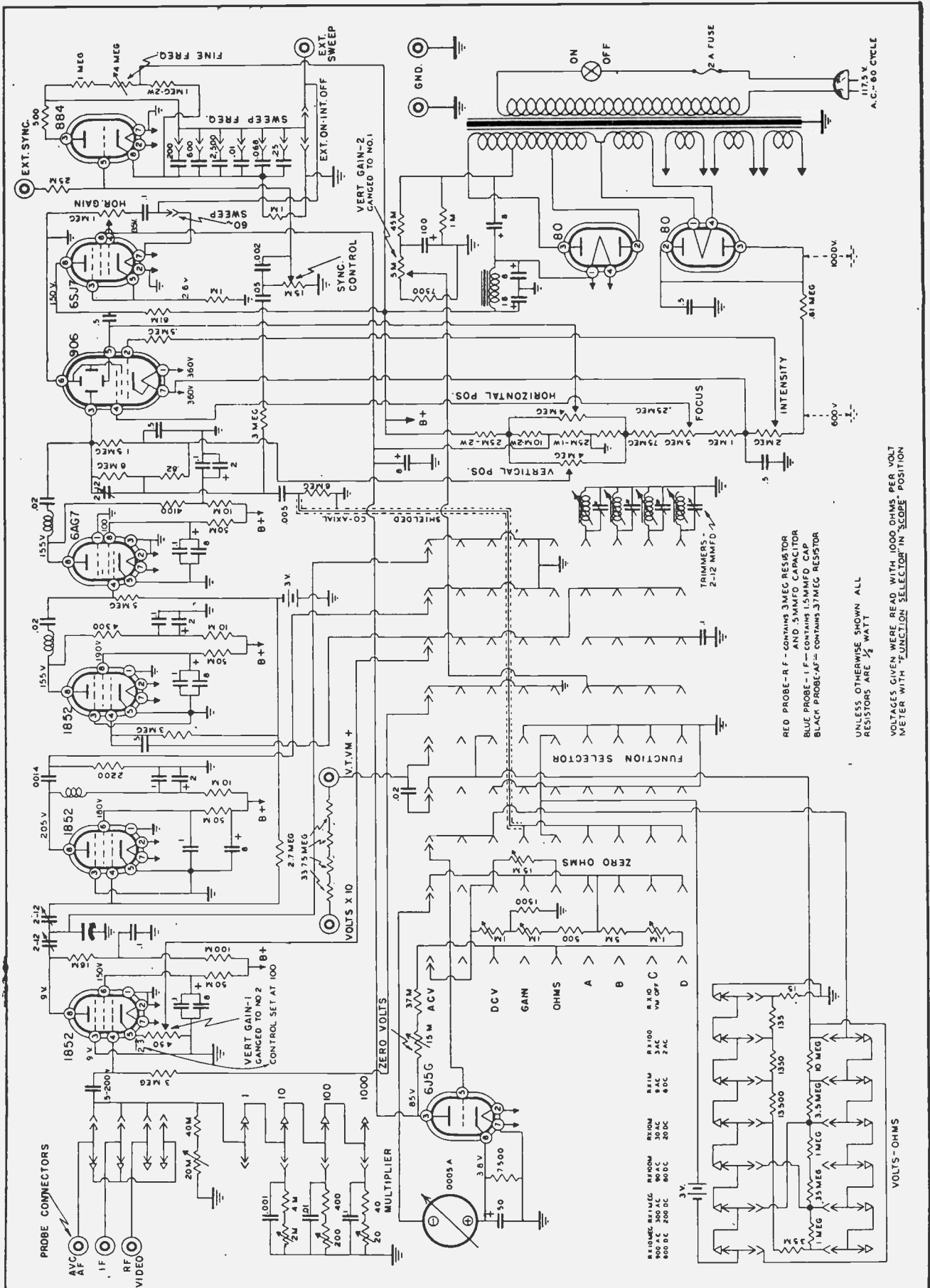


Left: Precision Apparatus Co. Volt-Ohm-Milliammeter Model 840.

Above: Simpson Electric Co. Set Tester, Model WD240.

Below: Precision Apparatus Co. Tube Checker, Model 510.





Supreme Instrument Corp. Vedolyzer, Model 560-A