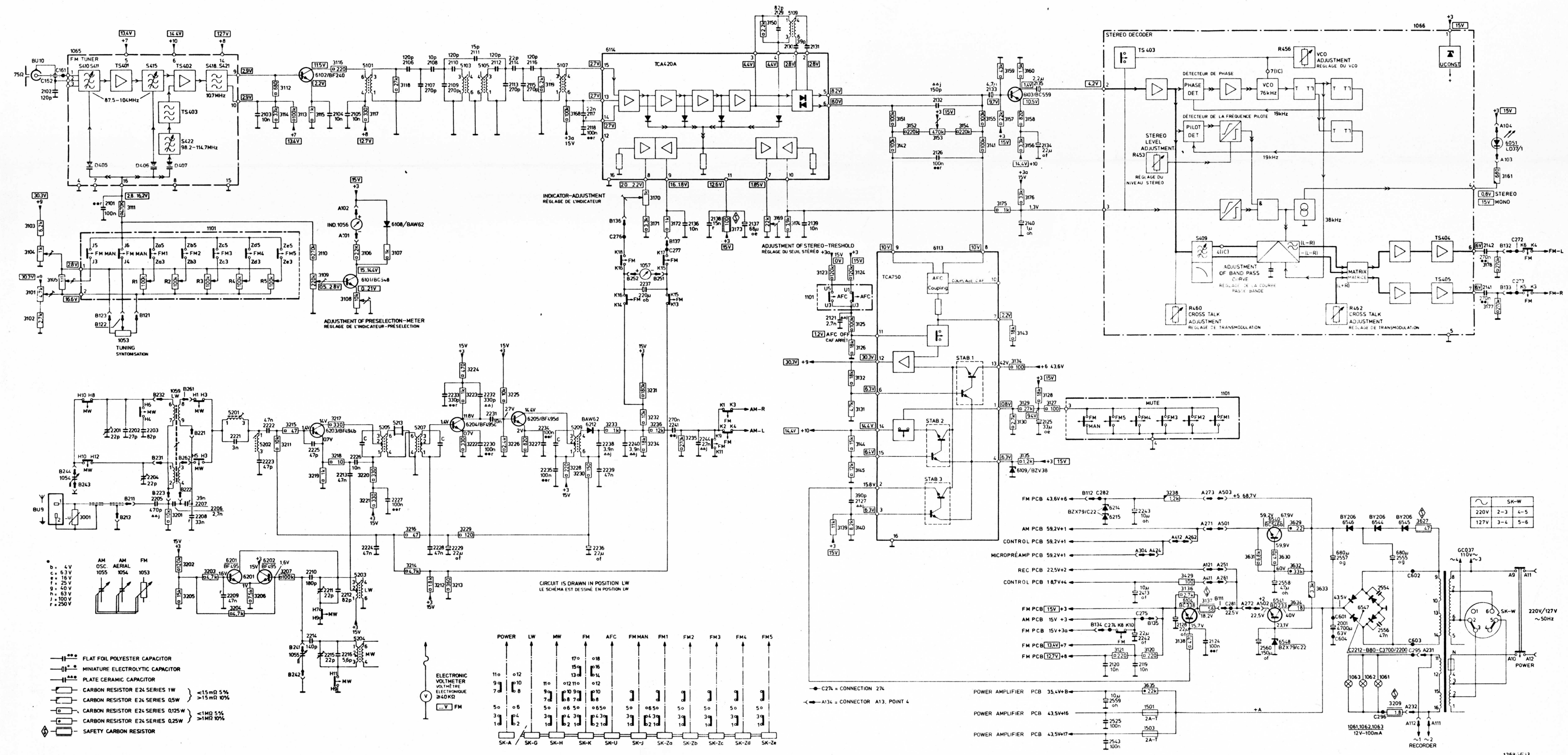
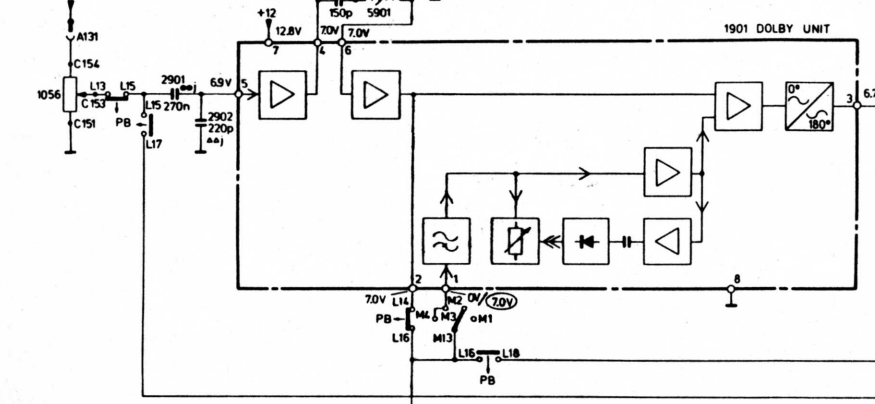


R	3101 3105	1055 3111	R1 R5	3109 3110 3112 3118 3106 3108	3107 3214 3212 3213 3222 3226	3119 3168	3170 3171 3172	3173	3150 3169 3174 3123	3124 3125 3126 3142 3151 3155	3141 3175 3176 3143	R453 R460	R456 R462	3177 3178 3161	R		
C	2102	2151	2221	2223 2222 2103	2106 2110	2111 2116	2117 2236	2237	2136 2138 2137	2129 2131 2139	3139 3140 3144 3145 3131 3132	2132 2126	2120 2119 2559 2525 2543 2243 2413 2242 2128	2124 2560 2558	2001 2554 2557	2141 2142	C
MISC	S412 S411 S410 S409 S408 S407 S406 S405 S404 S403 S402 S401	S415 TS402 TS403 TS404	S418 S417 S416 S415 S414 S413 S412 S411 S410 S409 S408 S407 S406 S405 S404 S403 S402 S401	S203 S205 6101 IND 1056 6108 5213 5101	6204 5103 5105 5207	6205	5107 5209 6212 6114	1057	5109	2121 2127	6113	6103 6109	6214 6215 1101 TS403 1501 1503	S409 6104	6540 6541 6548	1061 1063 6544 6547 TS404 TS405	6051 MISC

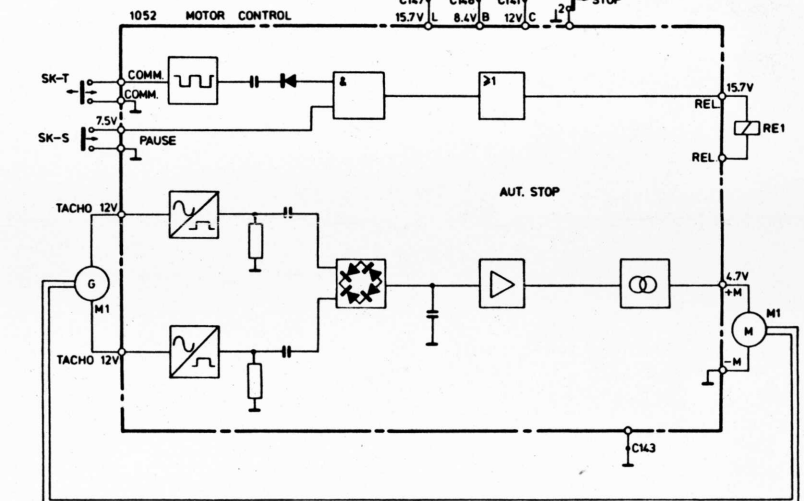
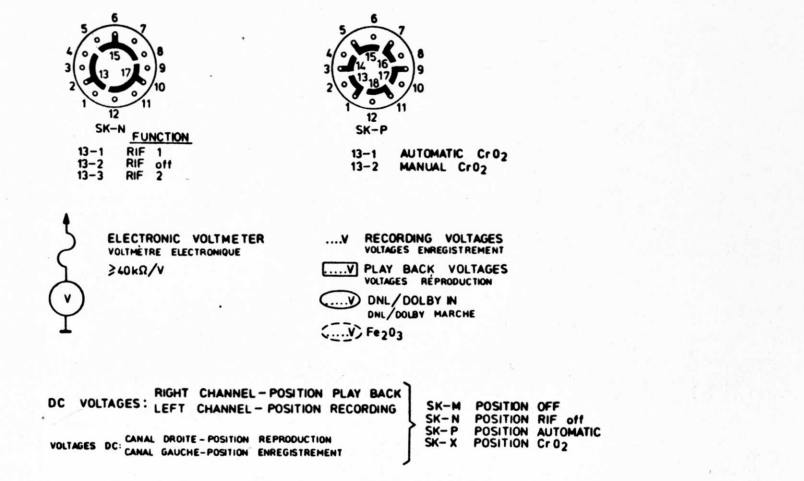
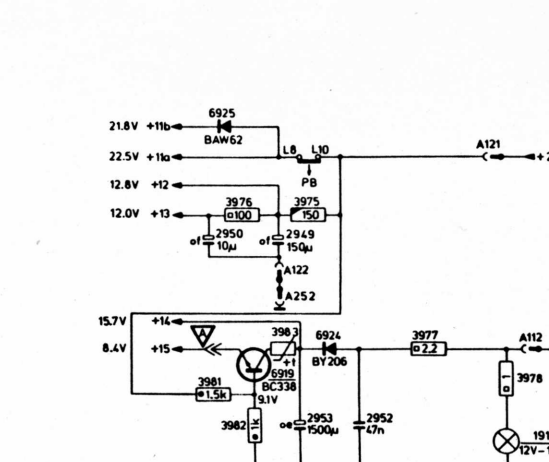
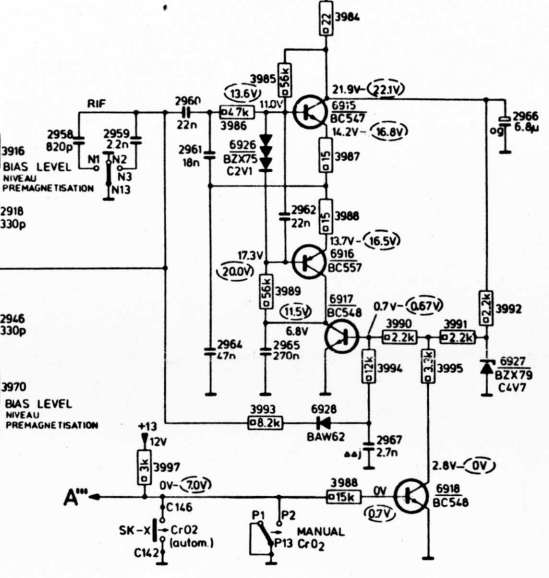
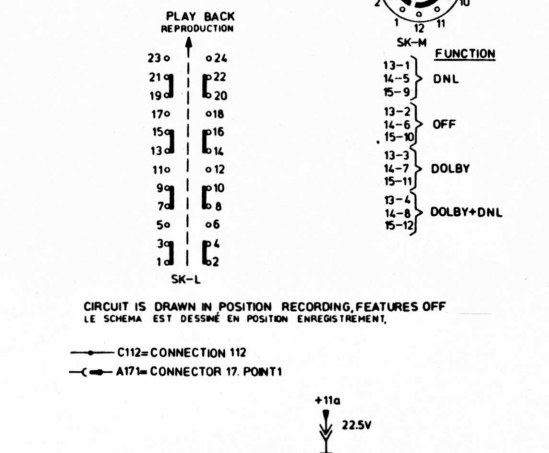
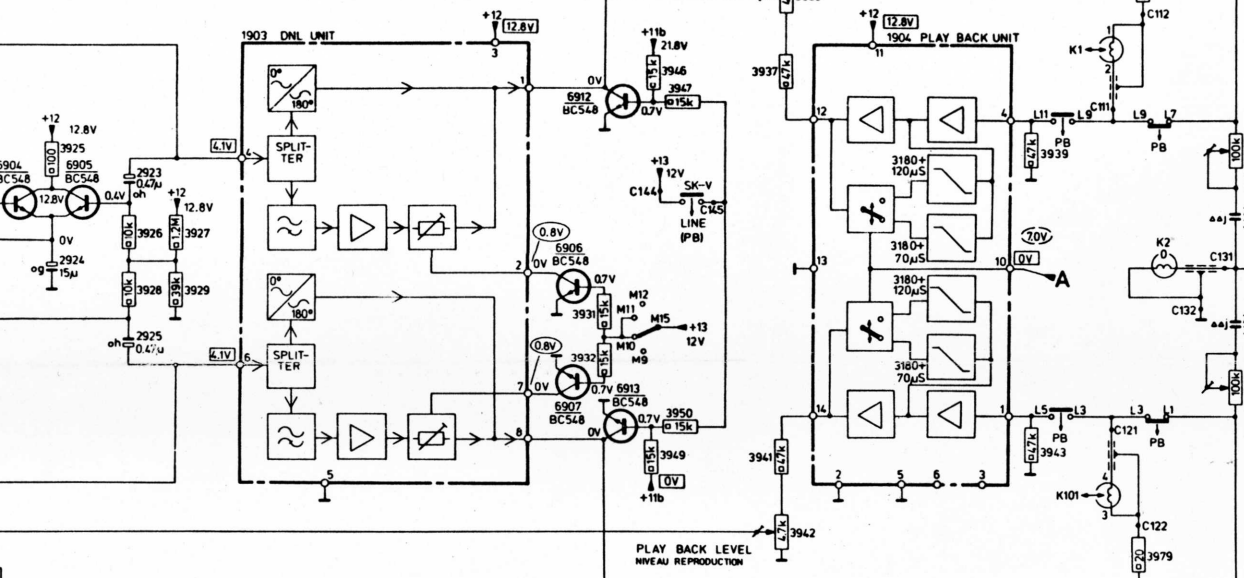
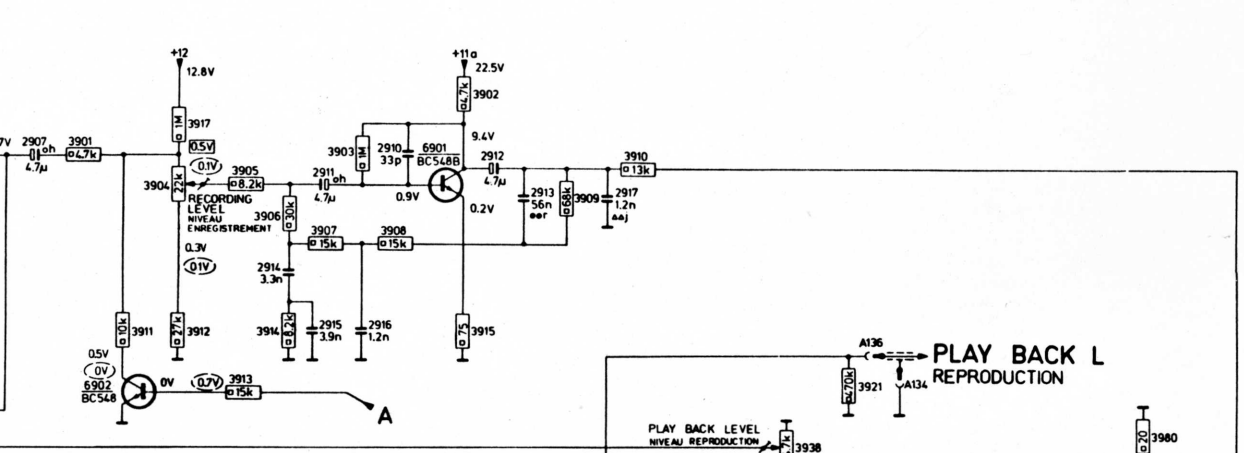
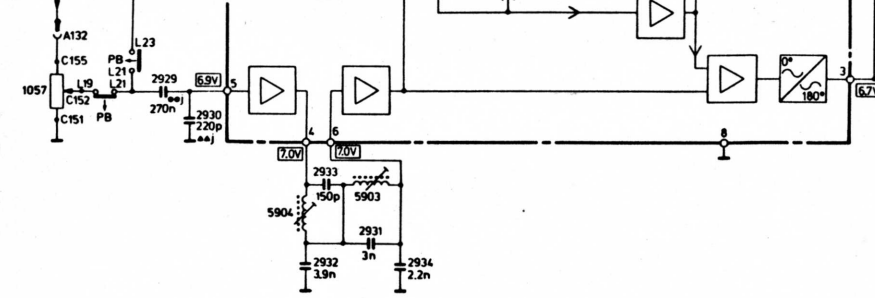


MISC	5901-5904	1902,1901,1054	6904	6905,6902,6910	1903	6901,6909	6906,6907,6912,6913	1904	6924,6926	6919,6915,6917,6928	6918,1915,6927	SK-S,T,G,1052	SK-R	RE1,M1	
C	2926,2927	2901,2902,2904,2905,2903,2909,2906	2907,2924,2923,2925	2914,2911,2915,2916,2910,2912,2913,2917	2914,2911,2915,2916,2910,2912,2913,2917	2914,2911,2915,2916,2910,2912,2913,2917	2914,2911,2915,2916,2910,2912,2913,2917	2914,2911,2915,2916,2910,2912,2913,2917	2914,2911,2915,2916,2910,2912,2913,2917	2914,2911,2915,2916,2910,2912,2913,2917	2914,2911,2915,2916,2910,2912,2913,2917	2914,2911,2915,2916,2910,2912,2913,2917	2914,2911,2915,2916,2910,2912,2913,2917	2914,2911,2915,2916,2910,2912,2913,2917	2914,2911,2915,2916,2910,2912,2913,2917
R	3950,3998	2929,2930,2933,2932,2931,2937,2934	3922	3901,3925,3926,3929,3911,3904,3917,3912,3914,3905,3907,3903,3908	3955,3965,3958,3971,3966,3967,3959,3961,3968,3957,3962	3956,3969	3963,3964,3950	3980,3971,3982,3910,3946,3947,3549,3937,3941,3938,3942,3921,3923	3939,3943	3916	3980,3979	3970	3976,3997,3981,3982,3983,3989,3998,3993,3975,3994,3977,3995,3990,3992,3978		

RECORDING L ENREGISTREMENT

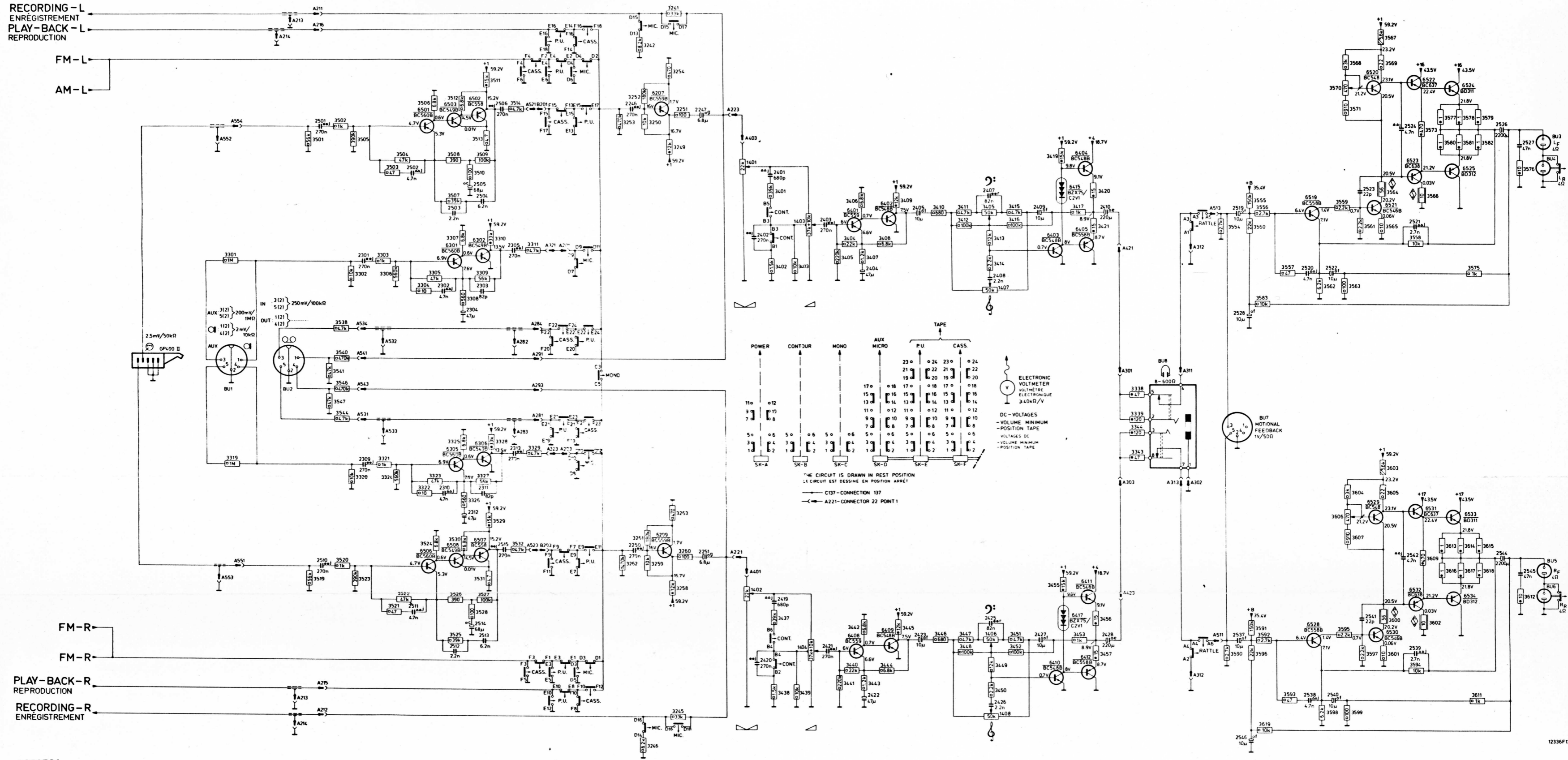


RECORDING R ENREGISTREMENT



- FLAT FOIL POLYESTER CAPACITOR
 - MINIATURE ELECTROLYTIC CAPACITOR
 - PLATE CERAMIC CAPACITOR
 - CARBON RESISTOR E24 SERIES 1W } < 1.5MΩ 5%
 - CARBON RESISTOR E24 SERIES 1/2W } > 1.5MΩ 10%
 - CARBON RESISTOR E24 SERIES 1/4W } < 1MΩ 5%
 - CARBON RESISTOR E24 SERIES 1/8W } > 1MΩ 10%
 - SAFETY CARBON RESISTOR
- b=4V
 c=6.3V
 e=11V
 f=25V
 g=40V
 h=63V
 j=100V
 r=250V

MISC	6501 6503 6301 6502 6302	6207	6401 6402	6403 6415 6404 6405	6519	6520 6521	6522 6523	6524 6525	MISC
MISC	6506 6305 6508 6306 6507	6209	6408 6409	6410 6417 6411 6412	6528	6529 6530	6531 6532	6533 6534	MISC
C	2501 2301 2502 2302 2503 2304 2505 2303 2504 2305 2506	2245	2402 2401	2403 2404 2405	2407 2408	2409	2410	2428	3519 2528
C	2510 2309 2511 2310 2512 2312 2514 2311 2513 2313 2515	2250	2420 2419	2421 2422	2425 2426	2427	2428	2428	2537 2546
R	3301	3501 3541 3538 3540 3502 3505 3302 3306	3506 3513 3307 3310 3311 3514	3253 3242 3252 3250 3254 3241 3249 3251	1401 3401 3402 3403 1403	3404 3407 3408 3409	3410 3412 1405 1407 3413 3416	3419 3417 3420 3421	3338 3339
R	3319	3519 3547 3546 3544 3520 3523 3320 3324	3524 3531 3325 3328 3329 3532	3262 3246 3261 3259 3263 3245 3258 3260	1402 3437 3438 3439 1404	3440 3443 3444 3445	3446 3448 1406 1408 3449 3452	3455 3453 3456 3457	3344 3343
									3590 3591 3596 3592 3619 3593
									3595 3597 3601 3603 3607
									3594 3609 3602 3611 3618 3611
									3576
									3576



CS58701

SUBJECT TO MODIFICATION
4822 725 15877