

ESV1500

VAPOUR COOLED TRIODE

GENERAL

The ESV1500 is a Vapour Cooled Triode, having a directly heated thoriated tungsten filament. It has a maximum anode dissipation of 5 kW and a maximum anode voltage rating of 8 kV, the maximum operating frequency at full rating being 10 Mc/s.

RATING

Filament Voltage	(volts)	V_f	8.0
Filament Current	(amps)	I_f	26.0
Maximum Anode Voltage	(kV)	$V_{a(max)}$	8.0
Maximum Anode Dissipation	(kW)	$P_{a(max)}$	5.0
Maximum Filament Emission (Peak)	(amps)	$I_{k(max)pk.}$	8.0
Maximum Grid Dissipation	(watts)	$P_{g(max)}$	150
Mutual Conductance	(mA/V)	g_m	7.5
Amplification Factor		μ	24
Anode Impedance	(ohms)	r_a	3,200
Maximum Operating Frequency (Full Rating)	(Mc/s)	$f_{(max)}$	40
Maximum Operating Frequency (Reduced Rating)	(Mc/s)	$f_{(max)abs.}$	80
Maximum R.F. Power Output	(kW)	P_{out}	8.0

INTER-ELECTRODE CAPACITANCES (pF)

Anode/Grid	C_{a-g}	11
Anode/Filament	C_{a-f}	1
Grid/Filament	C_{g-f}	15



ESV1500
VAPOUR COOLED TRIODE

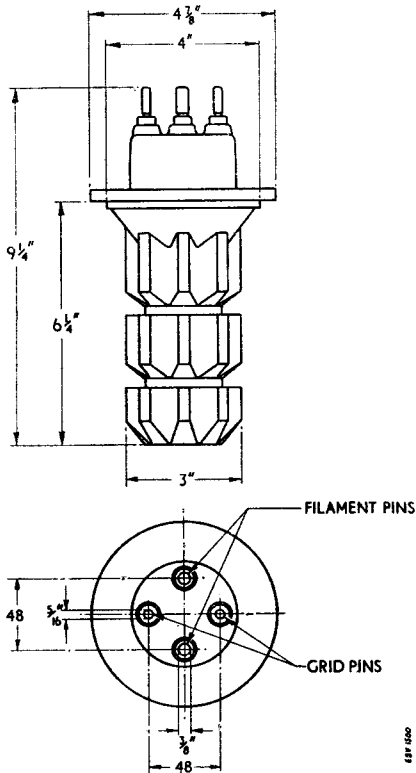
DIMENSIONS

Maximum Overall Length	(ins)	9$\frac{3}{4}$
Maximum Diameter	(ins)	4$\frac{7}{8}$
Approximate Nett Weight	(lbs)	10
Approximate Packed Weight	(lbs)	47

OPERATION

See " Application Notes on the use of Vapour Cooled Valves "

ESV1500
VAPOUR COOLED TRIODE



All dimensions in mm unless otherwise stated