

## Color Picture Tube

This data sheet is to be used in conjunction with data for RCA-15NP22

For general data, maximum and minimum ratings, equipment design ranges, limiting circuit values, and terminal diagram of the 15AEP22, refer to 15NP22 except as noted below.

### MECHANICAL

Tube Dimensions (excluding mounting lugs):

Diagonal . . . . . 14.910 ± .093 in (378.21 ± 2.36 mm)

Greatest width . . . . . 12.949 ± .093 in (328.90 ± 2.36 mm)

Greatest height (including tension-band clip) . . . . . 10.613 ± .100 in (269.57 ± 2.54 mm)

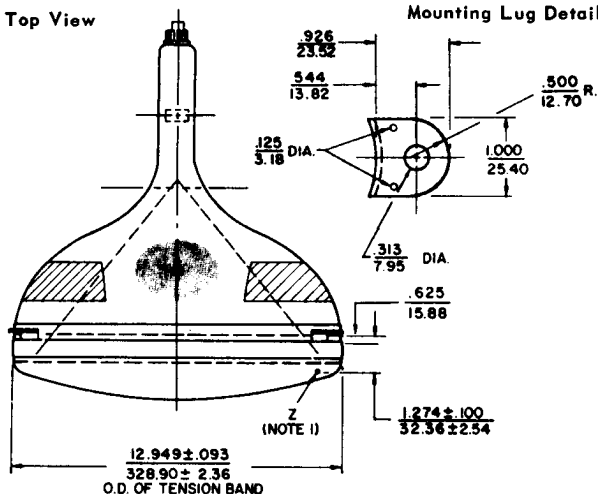
Weight (Approx.) . . . . . 11.3 lb (5.1 kg)

### DIMENSIONAL OUTLINE

Dimensions shown are only those which are different from the corresponding dimensions for the 15NP22.

Top View

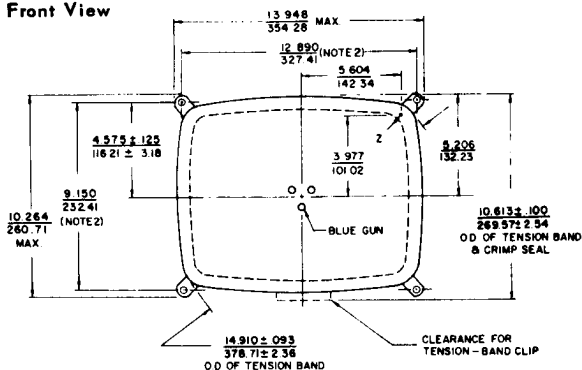
Mounting Lug Detail



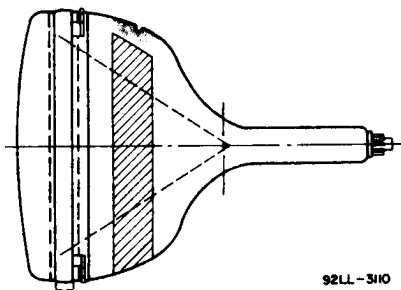
# 15AEP22

## DIMENSIONAL OUTLINE (Cont'd)

### Front View



### Front Side View



Dimensions in  $\frac{\text{Inches}}{\text{mm}}$  unless otherwise noted.

**Note 1:** "Z" is located on the outside surface of the faceplate, on the screen diagonal at a point .094 in (2.39 mm) beyond the minimum screen. This point is used as a reference for the mounting lugs.

**Note 2:** The tolerance of the mounting lug holes will accommodate mounting screws up to 0.250 in (6.35 mm) in diameter when positioned on the true hole centers.