



Osram Valves

Made in England

TYPE DH30

UNIVERSAL RANGE DOUBLE DIODE-TRIODE (With Indirectly Heated Cathode).

The OSRAM DH30 is an Indirectly Heated Cathode Valve combining double diode and triode electrode systems on a common cathode within the same envelope, and intended for series or parallel running such as in receivers for use on either A.C. or D.C. supply or from 12-volt car batteries.

Maximum Dimensions :
Overall length (including pins)
125 m/m.

Diameter of bulb 45 m/m.

CHARACTERISTICS.

Heater Current 0.3 amp.
Heater Volts 13.0

TRIODE CHARACTERISTICS.

Anode Volts 200 max.
Grid Volts -2
Anode Current average 2.8 ma
Amplification Factor 80
Impedance 18,000 ohms
Mutual Conductance 4.5 ma/volt measured
at anode volts 100,
grid volts 0.

DIODE CHARACTERISTICS.

With 0.5 megohm diode load resistance.

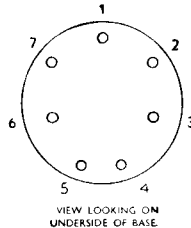
A.C. Volts R.M.S.	D.C. Volts across Diode Load
5	7
10	14
15	21
20	28
25	34

Interelectrode Capacities :—

Triode Grid-Anode 2.86 micro-microfarad approx
Triode Grid-Cathode 4.76 " " "
Triode Anode-Cathode 2.44 " " "
Each Diode Anode-Triode Grid 0.03 " " "
Diodes—all other electrodes 12.73 " " "

(Taken on metallised valve)

For prices see
pages 126-129.



BASE, 7-PIN.

- 1: Diode
- 2: Metallising
- 3: Diode
- 4: Heater
- 5: Heater
- 6: Cathode
- 7: Anode

Metal Cap: Grid

Type DH30 has a carbonised bulb and can be supplied metallised if required.

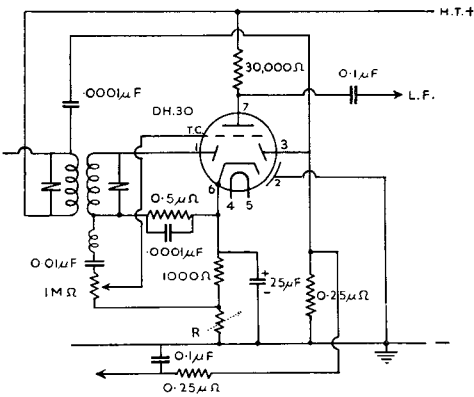
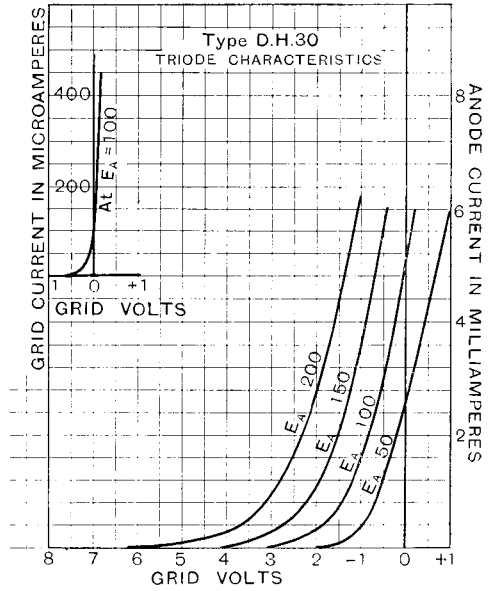
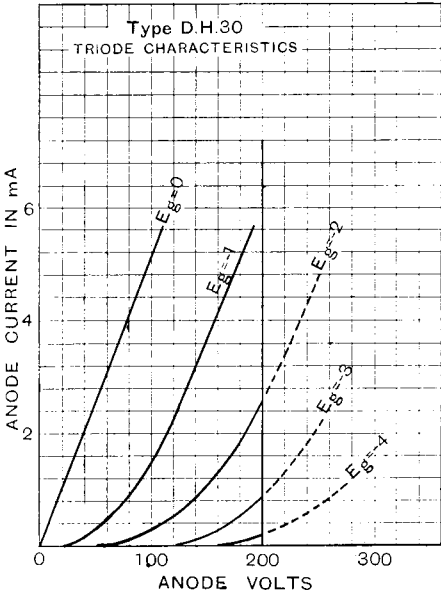
TYPE D41 DOUBLE DIODE

With Indirectly Heated Cathode.

The OSRAM D41 is a Double Diode Valve for use as a combined Detector and Automatic Volume Control Valve in radio receivers. Its filament rating makes it suitable for series filament running so that it can be used with the 0.3 ampere range of D.C.—A.C. valves.

For full characteristics, dimensions, and base connections see pages 40-41. For prices see pages 126-129

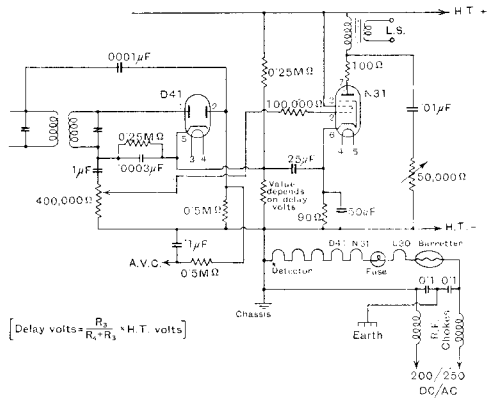
TYPE DH30



Resistance R controls delay volts—a suitable value is 5000 ohms.

Typical circuit diagram for Detection, delayed A.V.C., and L.F. amplification.

TYPE D41



Typical circuit diagram for D41 used in conjunction with N31 output Pentode.