



Cold-Cathode Voltage Stabilisers

Codes: G180/2G
G180/2M (CV395)

Ref.: G180/2G
G180/2M

The G180/2G is identical to the G180/2M but is fitted with a B8G/F base for wiring directly into the circuit.

Both valves have two symmetrical anodes which may be used singly, strapped or with one as an auxiliary electrode.

MECHANICAL DATA

| | | |
|------------------------|-------|---------------|
| Maximum overall length | 80.2 | mm |
| Maximum seated height | 66.7 | mm |
| Maximum diameter | 30.15 | mm |
| Base | B8G | |
| Net weight | 32 | g |
| Mounting position | | Unrestricted← |

CHARACTERISTICS

| | | |
|---|---|--------|
| *Maximum striking voltage | 180 | V |
| *Stabilising voltage at 25 mA | 150 \pm 5 | V← |
| *D.C. operating current | 5 to 45 | mA |
| *Nominal regulation, 5 to 25 mA | 0.5 | V← |
| *Maximum regulation, 5 to 25 mA | 2 | V← |
| *Nominal regulation, 5 to 45 mA | 1 | V← |
| *Maximum regulation, 5 to 45 mA | 5 | V← |
| Maximum auxiliary anode striking voltage | 200 | V← |
| Maximum transfer voltage | { auxiliary anode supply voltage 200 V through 100k Ω resistor } | 170 V← |
| Recommended value of auxiliary discharge current for starting | 1 | mA |
| Nominal drift in stabilising voltage (100 to 1 000 hours) | 2 | V← |
| Temperature coefficient, -20 to +70°C | \pm 15 | mV/°C← |
| Ambient temperature range | -55 to +70 | °C← |

* Measured with auxiliary anode and main anode strapped together.

NOTE.—Sufficient resistance must always be used in series with these valves to keep the current within the rated limits under extremes of operating conditions.

To provide sufficient voltage for starting, the anode supply in the unstruck condition should not be less than 180 volts. Operation with reversed polarity will damage the valves.

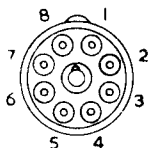
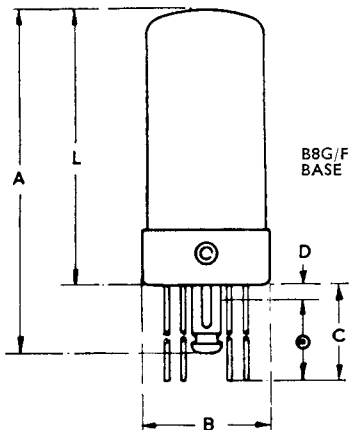
Ref.:
G180/2G
G180/2M

Cold-Cathode Voltage Stabilisers

Codes: G180/2G
G180/2M (CV395)



G180/2G



BASING

1. ANODE
2. ANODE
3. AUXILIARY ANODE
4. CATHODE
5. CATHODE
6. CATHODE
7. CATHODE
8. CATHODE

| DIM | MILLIMETRES | INCHES |
|-----|-------------|-------------|
| A | 80.2 MAX: | 3 5/32 MAX: |
| B | 30.2 MAX: | 1 3/16 MAX: |
| C | 50.8 MIN | 2 MIN: |
| D | 3.2 NOM: | 1/8 NOM: |
| L | 66.7 MAX: | 2 5/8 MAX: |

NOTE - BASIC FIGURES ARE INCHES.

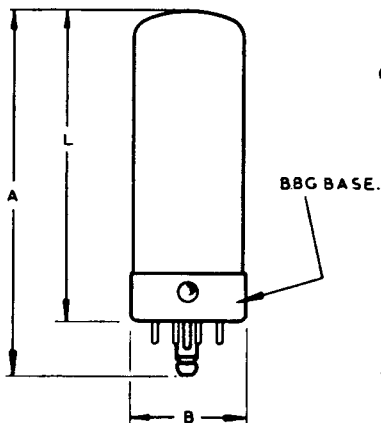
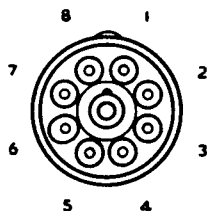
⊙ DENOTES -LEADS TINNED OVER THIS PORTION.



Cold-Cathode Voltage Stabilisers

Codes : G180/2G
G180/2M (CV395)

G180/2M



BASING

- | | | |
|----|-----------------|--|
| 1. | ANODE | |
| 2. | ANODE | |
| 3. | AUXILIARY ANODE | |
| 4. | CATHODE | |
| 5. | CATHODE | |
| 6. | CATHODE | |
| 7. | CATHODE | |
| 8. | CATHODE | |

| DIM. | MILLIMETRES | INCHES |
|------|-------------|-------------|
| A | 80.2 MAX. | 3 5/32 MAX. |
| B | 30.15 MAX. | 1 3/16 MAX. |
| L | 66.7 MAX. | 2 5/8 MAX. |

NOTE :- BASIC DIMENSIONS ARE INCHES.