



Ref.: V240C/1K
V240C/2K

Velocity Modulated Oscillators

Code: V240C/1K
V240C/2K (CV2189)

These valves are low voltage coaxial type V.M. Oscillators capable of being frequency modulated. They have sufficient mechanical tuning to cover the necessary carrier frequency variations between sections in a radio link with a mid-band frequency of 4050 and 4000 Mc/s respectively.

CATHODE.

Indirectly-heated, oxide-coated

Heater voltage	6.3	V
Nominal current	0.26	A

DIMENSIONS.

Maximum overall length	80	mm
Maximum bulb diameter	20.1	mm
Base	B7G	
Net weight	22	g

MOUNTING.

These valves are designed to mount by means of the resonator disc so that the antenna couples with a suitable tuned circuit.

MAXIMUM RATINGS.

Maximum mean input power to all electrodes other than the heater	18	W
Maximum direct cathode current	65	mA
Maximum direct screen voltage	400	V
Maximum direct screen dissipation	1.5	W

Tentative data.
September 1952

V240C/1K }
V240C/2K } —1

Ref.: V240C/1K
V240C/2K

Velocity Modulated Oscillators



Code: V240C/1K
V240C/2K (CV2189)

TYPICAL OPERATING CONDITIONS.

Oscillator in the frequency range 4000 to 4100 Mc/s (V240C/1K)
3950 to 4050 Mc/s (V240C/2K)

Grid voltage (V_{g1})

40 volts negative with respect to cathode. The use of bias improves the proportion of cathode current which passes the resonator and reaches the anode. See Figure 3 for a sketch of the electrode assembly.

Screen voltage (V_{g2})

Adjusted to give an anode current of 35 mA and should be varied during the valve life so as to maintain the anode current at a constant value. Where the valve is to be used in unattended equipment it is recommended that this variation be made automatically.

A typical value of screen voltage is 120 volts.

Screen current (I_{g2})

This will not be greater than 5 mA provided that the screen voltage does not exceed the resonator voltage.

Resonator voltage (V_{res})

This should be adjusted to give maximum power output and varies between 250 and 280 volts for the V240C/1K, and between 240 and 270 for the V240C/2K over the mechanical tuning band.

Anode voltage (V_a)

This is kept constant throughout the tuning band at 300 volts.



Velocity Modulated Oscillators

Code: V240C/1K
V240C/2K (CV2189)

PERFORMANCE.

These valves should be operated in a tuning circuit as shown in Figure 4 with the coupling slug and the resonator voltage adjusted for maximum power output. With the operating conditions as specified the following performance should be obtained.

Power output, minimum	350	mW
Variation of output with frequency over the specified tuning range	less than 3	db
Electronic tuning range, between half power points	± 7 to ± 10	Mc/s
Mechanical tuning by variation of length L_c	± 50 minimum	Mc/s
Rate of change of frequency with mechanical tuning, per mm change of piston position	3 to 12	Mc/s

Typical curves of power output and electronic tuning range versus frequency are shown on Figures 1 and 2 (Sheet 5).

MODULATION.

Frequency modulation is obtained by variation of the resonator voltage. The figures for electronic tuning range are those for the valve loaded so as to give maximum output power and the modulation sensitivity under these conditions is between 0.2 and 0.4 Mc/s per volt. If the loading on the valve is reduced the electronic tuning range will be increased somewhat but the sensitivity will be reduced. The change in slope of the characteristic will be about 10 per cent for a deviation of about 60 to 70 per cent of the half power value.

Distortion components for small deviations ($< \pm 2$ Mc/s) at the correct resonator voltage will be about 50 db down on the fundamental.

The input capacitance when using the circuit shown in Figure 4 is between 20 and 30 pF.

Ref.: V240C/1K
V240C/2K

Velocity Modulated Oscillators



Code: V240C/1K
V240C/2K (CV2189)

THERMAL DRIFT AND STABILITY.

The total thermal drift from cold to the final operating frequency is between 7 and 10 Mc/s and is completed in about 5 minutes.

The frequency change with ambient temperature is about 50 kc/s per degree centigrade.

MAGNET AND MAGNET ALIGNMENT.

A permanent magnet is used to form the electron beam. The recommended magnet is Jessop Type No. 10512, but any magnet giving a uniform field of approximately 1200 oersteds over a 22 mm gap can be used. The magnet must be aligned so that the best ratio of anode current to cathode current is obtained (see Figure 3). Three holes are punched in the valve disc and locate on pins fixed to the valve clamping plate. Once the magnet has been aligned, and has been securely clamped with respect to the locating pins, no further adjustment will be necessary when replacing valves. It is recommended that at least three, and preferably six, valves are used to establish the initial alignment of the magnet.

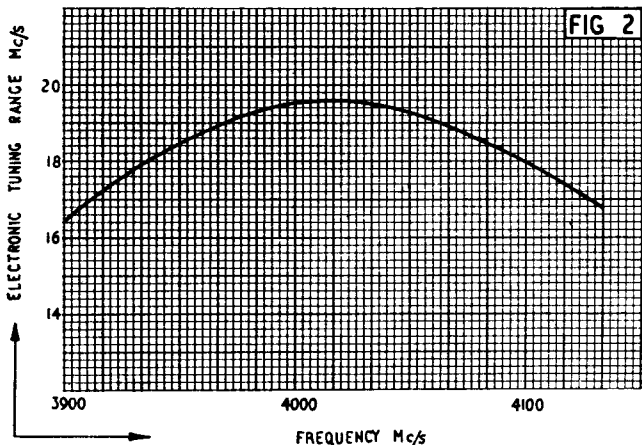
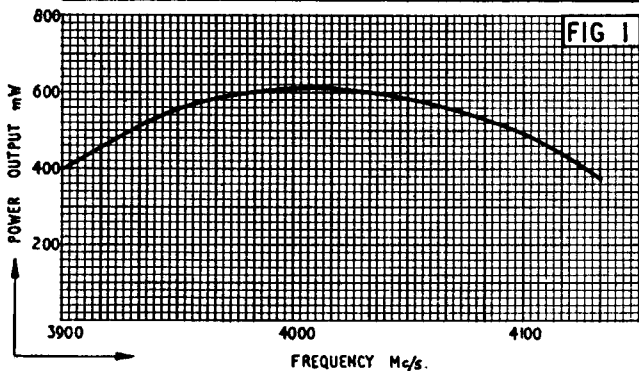


Velocity Modulated Oscillators

Ref.: V240C/1K
V240C/2K

Code: V240C/1K
V240C/2K (CV2189)

V240C/1K & V240C/2K		
VL 2019		



Tentative data.
February 1955

V240C/1K }
V240C/2K } —5

Ref.: V240C/1K
V240C/2K

Velocity Modulated Oscillators

Code : V240C/1K
V240C/2K (CV2189)

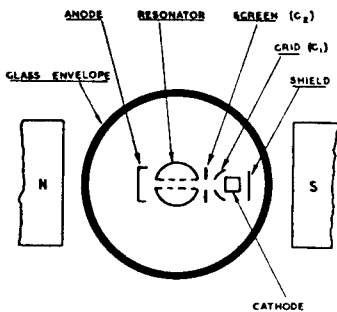


FIG 3

CROSS SECTION OF VALVE ASSEMBLY

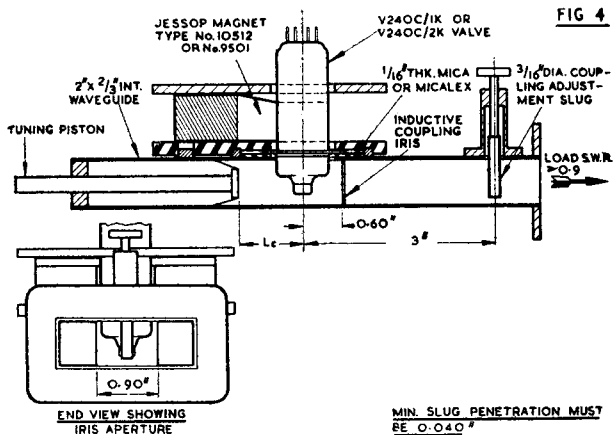


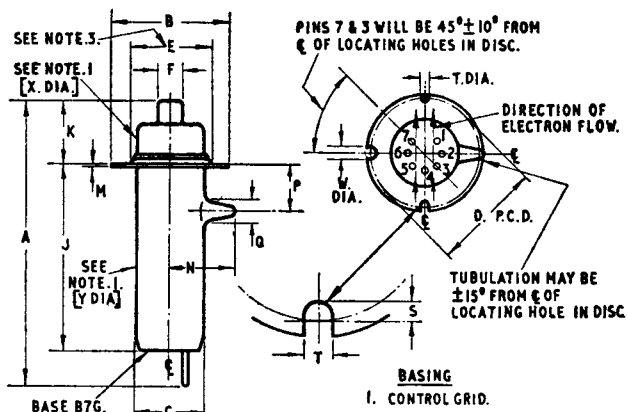
FIG 4



Velocity Modulated Oscillators

Ref. : V240C/1K
V240C/2K

Code : V240C/1K
V240C/2K (CV2189)



NOTE.1. THIS PORTION OF BULB WILL NOT FOUL A CYLINDER OF INT. DIA. SPECIFIED WHICH IS CONCENTRIC WITH THE PITCH CIRCLE OF THE LOCATING HOLES IN DISC.

NOTE.2. BASIC FIGURES ARE INCHES.

NOTE.3. ALSO MIN. CLAMPING DIA.

- BASING**
1. CONTROL GRID.
 2. CATHODE.
 3. HEATER.
 4. HEATER.
 5. ANODE.
 6. RESONATOR.
 7. SCREEN GRID.

DIM.	MILLIMETRES	INCHES	DIM.	MILLIMETRES	INCHES
A	80 MAX.	3.15 MAX.	P	13.5 ± 4.0	0.53 ± 0.16
B	31.75 MAX.	1 1/4 MAX.	Q	8.5 MAX.	0.33 MAX.
C	20.1 MAX.	0.79 MAX.	S	1.6 + 0.13 - 0.00	0.062 + 0.005 - 0.000
D	30.96 ± 0.06	1.218 ± 0.002			
E	24 MAX.	0.94 MAX.	T	2.36 + 0.06 - 0.00	0.093 + 0.002 - 0.000
F	8.12 MAX.	0.320 MAX.			
J	56 MAX.	2.2 MAX.	W	2.79 + 0.13 - 0.00	0.110 + 0.005 - 0.000
K	16.5 MAX.	0.65 MAX.			
M	0.3 MAX.	0.012 MAX.	X	21.59 MIN.	0.850 MIN.
N	18 MAX.	0.710 MAX.	Y	20.32 MIN.	0.800 MIN.