



7263

VIDICON

Magnetic Focus
Magnetic Deflection

For Use Under Severe Shock and Vibration
Low-Power (0.6-watt) Heater
600-Line Resolution

1"-Diameter Bulb
5.12" Length

TENTATIVE DATA

RCA-7263 is a short camera tube of the vidicon type designed primarily to provide reliable performance in black-and-white or color-TV cameras for industrial or military service. In such service, the 7263 is capable of withstanding operating conditions involving severe shock and vibration, altitudes up to 50,000 feet, and high humidity.

Because of its short length and its low-power heater, the 7263 is well suited for use in small, compact transistorized TV cameras.

In either live or film pickup service, the 7263 can provide a picture of high quality for broadcasting or industrial television applications. Its resolution capability is about 600 television lines.

The 7263 utilizes a unique photoconductive surface having uniform thickness which permits constant voltage gradient and uniform dark current across the scanned area. Because of the uniform thickness of its photoconductive surface, the 7263 can produce substantially uniform sensitivity over the entire scanned area. Therefore, the 7263 exhibits a degree of uniformity of characteristics from tube to tube that makes it possible to obtain excellent color uniformity and balance when used in three-vidicon color cameras. While dark current and sensitivity both increase with target voltage, the uniformity of the dark current makes it possible to operate the 7263 at relatively high values of target voltage and dark current. As a result, high effective sensitivity can be obtained with the 7263.

The design of the 7263 utilizes nonmagnetic materials in the front end, an extremely flat faceplate free from optical distortion, and an envelope without a side tip.

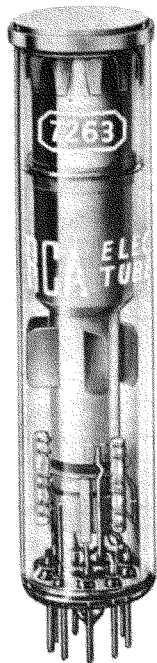
Full advantage of the uniformity of the photoconductive layer in the 7263 is realized only when the associated deflecting and focusing components do not introduce scanning-beam landing errors. These errors, if introduced by deflecting and focusing components, can be corrected by applying a modulating voltage of suitable waveform to the cathode, grid No.1, and grid No.2 (see page 9).

PRINCIPLES OF OPERATION

The structural arrangement of the 7263, shown in Fig.1, consists of a target composed of a transparent conducting film (the signal electrode) on the inner surface of the faceplate and a thin photoconductive layer deposited on the film; a fine mesh screen (grid No.4) located adjacent to the photoconductive layer; a beam-focusing electrode (grid No.3) connected to grid No.4; and an electron gun for producing a beam of electrons.

Each element of the photoconductive layer is an insulator in the dark but becomes slightly conductive when it is illuminated and acts like a leaky capacitor having one plate at the positive potential of the signal electrode and the other floating. When light from the scene or film being televised is focused on the photoconductive-layer surface next to the faceplate, each illuminated layer element conducts slightly depending on the amount of illumination on the element and thus causes the potential of its opposite surface (on the gun side) to rise in less than the time of one frame toward that of the signal-electrode potential. Hence, there appears on the gun side of the entire layer surface a positive potential pattern, composed of the various element potentials, corresponding to the pattern of light imaged on the layer.

The gun side of the photoconductive layer is scanned by a low-velocity electron beam produced by the electron gun. This gun contains a thermionic cathode, a control grid (grid No.1), and an accelerating grid (grid No.2). The beam is





focused at the surface of the photoconductive layer by the combined action of the uniform magnetic field of an external coil and the electrostatic field of grid No.3. Grid No.4 serves to provide a uniform decelerating field between itself and the photoconductive layer so that the electron beam will tend to approach the layer in a direction perpendicular to it-- a condition necessary for driving the surface to cathode potential. The beam electrons approach the layer at low velocity because of the low operating potential of the signal electrode.

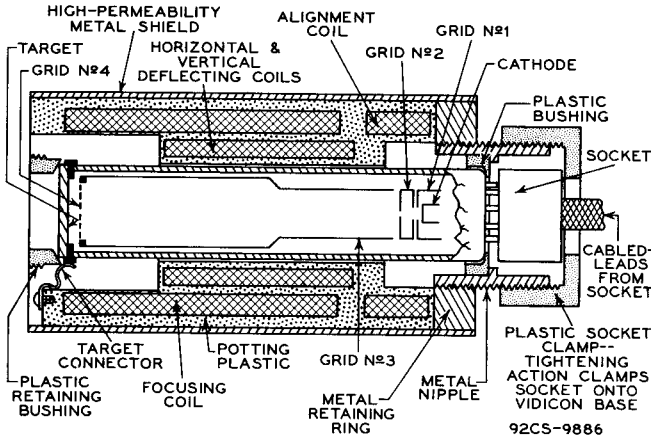


Fig. 1 - Schematic Arrangement of Type 7263.

When the gun side of the photoconductive layer with its positive potential pattern is scanned by the electron beam, electrons are deposited from the beam until the surface potential is reduced to that of the cathode, and thereafter are turned back to form a return beam which is not utilized. Deposition of electrons on the scanned surface of any particular element of the layer causes a change in the difference of potential between the two surfaces of the element. When the two surfaces of the element, which in effect is a charged capacitor, are connected through the external target (signal-electrode) circuit and the scanning beam, a capacitive current is produced and constitutes the video signal. The magnitude of the current is proportional to the surface potential of the element being scanned and to the rate of scan. The video-signal current is then used to develop a signal-output voltage across a load resistor. The signal polarity is such that for highlights in the image, the grid of the first video-amplifier tube swings in a negative direction.

Alignment of the beam is accomplished by a transverse magnetic field produced by external coils located at the base end of the focusing coil.

Deflection of the beam is accomplished by transverse magnetic fields produced by external deflecting coils.

DATA

General:

Heater, for Unipotential Cathode:		
Voltage (AC or DC)	6.3 ± 10%	volts
Current	0.095	amp
Direct Interelectrode Capacitance: [Ⓛ]		
Target to all other electrodes	4.6	μf
Spectral Response See Curves in Fig.12		
Photoconductive Layer:		
Maximum useful diagonal of rectangular image (4 x 3 aspect ratio)	0.62	inch
Orientation of quality rectangle--Proper orientation is obtained when the horizontal scan is essentially parallel to the plane passing through the tube axis and short index pin.		
Focusing Method Magnetic		
Deflection Method Magnetic		
Overall Length	5.12" ± 0.06"	
Greatest Diameter	1.125" ± 0.010"	
Bulb		T8
Base		Small-Button Ditetra 8-Pin (JEDEC No.E8-11)
Socket		Cinch No.54A18088 [Ⓛ] , or equivalent
Operating Position Any		
Weight (Approx.) 2 oz		

Maximum Ratings, Absolute-Maximum Values:

For altitudes up to 50,000 feet and scanned area of 1/2" x 3/8"

GRID-No.3 & GRID-No.4 VOLTAGE	350 max.	volts
GRID-No.2 VOLTAGE	350 max.	volts
GRID-No.1 VOLTAGE:		
Negative-bias value	125 max.	volts
Positive-bias value	0 max.	volts
PEAK HEATER-CATHODE VOLTAGE:		
Heater negative with respect to cathode	125 max.	volts
Heater positive with respect to cathode	10 max.	volts
DARK CURRENT	0.25 max.	μa
PEAK TARGET CURRENT	0.55 max.	μa
FACEPLATE:		
Illumination	1000 max.	ft-c
Temperature (Operating or storage)	60 max.	°C

Typical Operation:

For scanned area of 1/2" x 3/8" Faceplate temperature of 30° to 35° C

Grid-No.4 (Decelerator) & Grid-No.3 (Beam-Focus Electrode*) Voltage	250 [□] to 300	volts
Grid-No.2 (Accelerator) Voltage	300	volts
Grid-No.1 Voltage for Picture Cutoff [Ⓛ]	-45 to -100	volts
Average "Gamma" of Transfer Characteristic for signal-output current between 0.02 μa and 0.2 μa	0.65	
Visual Equivalent Signal-to-Noise Ratio (Approx.) [Ⓛ]	300:1	
Minimum Peak-to-Peak Blanking Voltage:		
When applied to grid No.1	75	volts
When applied to cathode	20	volts
Field Strength at Center of Focusing Coil (Approx.)	40	gausses
Field Strength of Adjustable Alignment Coil [Ⓛ]	0 to 4	gausses

Maximum-Sensitivity Operation for Live-Scene Pickup

Faceplate Illumination (Highlight)	2	ft-c
Max. Target Voltage Required to Produce Dark Current of 0.2 μa in Any Tube* [Ⓛ]	110	volts
Target Voltage [†]	60 to 100	volts

[Ⓛ] Made by Cinch Manufacturing Corporation, 1026 S. Homan Ave., Chicago 24, Illinois.



Dark Current [▲]	0.2	μa
Target Current (Highlight) [■]	0.4 to 0.5	μa
Signal-Output Current: [#]		
Peak	0.2 to 0.3	μa
Average.	0.08 to 0.1	μa

Average-Sensitivity Operation for Live-Scene Pickup

Faceplate Illumination (Highlight)	15	ft-c
Max. Target Voltage Required to Produce Dark Current of 0.02 μa in Any Tube ^{**}	60	volts
Target Voltage [†]	30 to 50	volts
Dark Current	0.02	μa
Target Current (Highlight) [■]	0.3 to 0.4	μa
Signal-Output Current: [#]		
Peak	0.3 to 0.4	μa
Average.	0.1 to 0.2	μa

Minimum-Lag Operation for Film Pickup

Faceplate Illumination (Highlight)	100	ft-c
Max. Target Voltage Required to Produce Dark Current of 0.004 μa in Any Tube ^{**}	30	volts
Target Voltage [†]	15 to 25	volts
Dark Current	0.004	μa
Target Current (Highlight) [■]	0.3 to 0.4	μa
Signal-Output Current: [#]		
Peak	0.3 to 0.4	μa
Average.	0.1 to 0.2	μa

- This capacitance, which effectively is the output impedance of the 7263, is increased when the tube is mounted in the deflecting-yoke and focusing-coil assembly. The resistive component of the output impedance is in the order of 100 megohms.
- * Beam focus is obtained by combined effect of grid-No.3 voltage which should be adjustable over indicated range, and a focusing coil having an average field strength of 40 gauss.
- Definition, focus uniformity, and picture quality decrease with decreasing grid-No.4 and grid-No.3 voltage. In general, grid No.4 and grid No.3 should be operated above 250 volts.
- With no blanking voltage on grid No.1.
- Measured with high-gain, low-noise, cascode-input-type amplifier having bandwidth of 5 Mc. Because the noise in such a system is predominately of the high-frequency type, the visual equivalent signal-to-noise ratio is taken as the ratio of highlight video-signal current to rms noise current, multiplied by a factor of 3.
- ⊕ The alignment coil should be located on the tube so that its center is at a distance of 3-11/16 inches from the face of the tube, and be positioned so that its axis is coincident with the axis of the tube, the deflecting yoke, and the focusing coil.
- † Indicated range for each type of service serves only to illustrate the operating target-voltage range normally encountered.
- ** The target voltage for each 7263 must be adjusted to that value which gives the desired operating dark current.
- ▲ The deflecting circuits must provide extremely linear scanning for good black-level reproduction. Dark-current signal is proportional to the scanning velocity. Any change in scanning velocity produces a black-level error in direct proportion to the change in scanning velocity.
- Video amplifiers must be designed properly to handle target currents of this magnitude to avoid amplifier overload or picture distortion.
- # Defined as the component of the target current after the dark-current component has been subtracted.

SPECIAL PERFORMANCE DATA

In connection with the following tests, sample 7263's will maintain resolution as determined with a RETMA Resolution Chart, or equivalent, and will faithfully reproduce all resolution wedges and grey scales of the chart.

Vibration Tests. These tests are performed under conditions for *Average-Sensitivity Operation for Live-Scene Pickup* on a sample lot of tubes from each production run. Tubes and their associated components[§] are vibrated on apparatus providing dynamic conditions similar to those described in MIL-E-5272B[◆], par.4.7.1.

Resonance. Tubes and associated components[§] are vibrated (per the method of MIL-E-5272B[◆], par.4.7.1.1) for 1 hour at +25° C, for 15 minutes at 0° C, and for 15 minutes at +55° C.

Cycling. Tubes and associated components[§] are vibrated (per the method of MIL-E-5272B[◆], par.4.7.1.2 pertaining to specimen without vibration isolators) for 1 hour at +25° C, for 15 minutes at 0° C, and for 15 minutes at +55° C.

Temperature-Pressure (Altitude) Tests. Tubes and associated components[§] are subjected (per the method of MIL-E-5400[⊕], par.3.2.20, 3.2.20.1, and 3.2.20.1.1) to the separate and combined effects of varying temperature 0° to +55° C and varying barometric pressure 30" to 3.4" of mercury. The pressures correspond to sea level and to an altitude of 50,000 feet, respectively.

Shock Tests. These tests are performed with no voltages applied and on a sample lot of tubes from each production run. Tubes and their associated components[§] are subjected in these tests (per MIL-E-5400[⊕], par.3.2.21.2.1) to 18 impact shocks of 15g consisting of 3 shocks in opposite directions along each of three mutually perpendicular axes of the tube. Each shock impulse has a duration of 11 ± 1 milliseconds with a maximum impact acceleration occurring at approximately 5.5 milliseconds.

Temperature-Humidity Tests. These tests are performed with no voltages applied to the 7263. The 7263 and associated components[§] are subjected (per the method of MIL-E-5400[⊕], par.3.2.20.2B) to relative humidities up to and including 100 per cent at temperatures up to and including +50° C.

§ Tube socket such as Cinch No.54A18088 and RCA Assembly No.200SDU501, or equivalent, which consists of the deflecting coils, focusing coil, alignment coil, shield, and target connector.

◆ 5 June 1957, Procedure I of Military Specification.

⊕ 1 January 1956.

OPERATING CONSIDERATIONS

The *maximum ratings* in the tabulated data are established in accordance with the following definition of the *Absolute-Maximum Rating System* for rating electron devices.

Absolute-Maximum ratings are limiting values of operating and environmental conditions applicable to any electron device of a specified type as defined by its published data, and should not be exceeded under the worst probable conditions.

The device manufacturer chooses these values to provide acceptable serviceability of the device, taking no responsibility for equipment variations, environment variations, and the effects of changes in operating conditions due to variations in device characteristics.

The equipment manufacturer should design so that initially and throughout life no absolute-maximum value for the intended service is exceeded

with any device under the worst probable operating conditions with respect to supply-voltage variation, equipment component variation, equipment control adjustment, load variation, signal variation, environmental conditions, and variations in device characteristics.

such that the horizontal scan is essentially parallel to the plane passing through the tube axis and short index pin.

The *optical system* associated with the 7263 should be of high quality and provide depth of focus sufficient to focus a sharp image on the photoconductive layer.

The *deflecting yoke and focusing coil* should be designed so that no beam landing errors are produced in the 7263. Properly designed yokes and focusing coils will cause the beam to land perpendicularly to the target at all points of the scanned area with resultant superior uniformity of sensitivity and focus over the scanned area.

The yoke should be positioned with respect to the tube as shown in Fig.1. The end of the deflecting coils toward the base of the tube should not extend more than 3-1/2 inches from the faceplate.

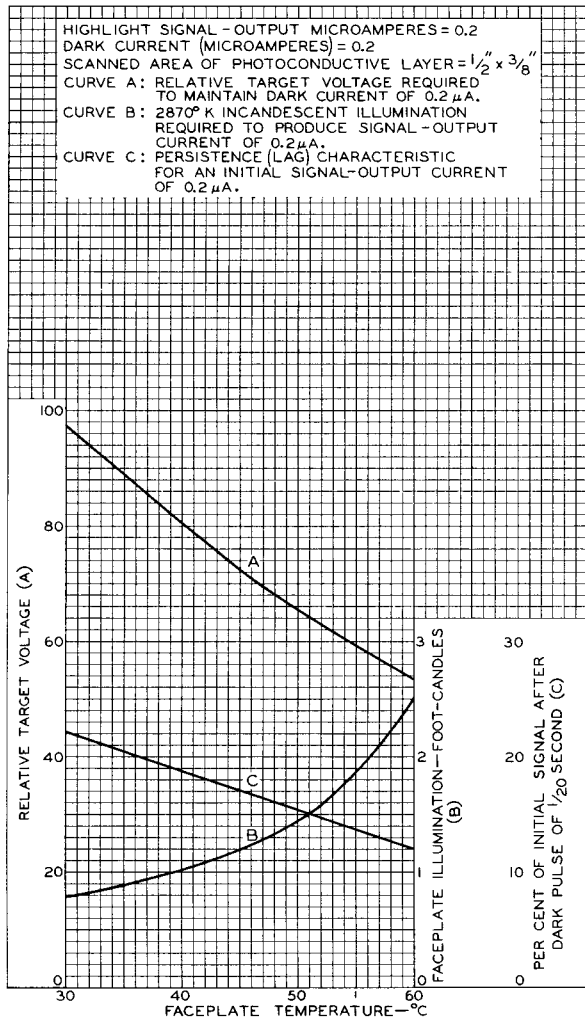
The *scanning speed* must be constant in order to obtain good black-level reproduction when the 7263 is operated at high dark current with resultant higher effective sensitivity. The dark-current signal is proportional to the scanning speed. Therefore, any change in scanning speed will produce a nonuniformity in black level in direct proportion to the change in scanning speed.

The polarity of the focusing coil should be such that a north-seeking pole is attracted to the image end of the focusing coil, with the indicator located outside of and at the image end of the focusing coil.

The *alignment coil* should be located on the tube so that its center is at a distance of 3-11/16 inches from the face of the tube, and be positioned so that its axis is coincident with the axis of the tube, the deflecting yoke, and the focusing coil.

Electrostatic shielding of the target from external fields is required to prevent interference effects in the picture. Effective shielding from the fields produced by the deflecting components is ordinarily provided by grounding a shield on the inside of the faceplate end of the focusing coil and by grounding a shield on the inside of the deflecting yoke at a point near the input of the video amplifier.

The *temperature of the faceplate* should not exceed 60° C (140° F), either during operation or storage of the 7263. Operation with a faceplate temperature in the range from about 25° to 35° C (77° to 99° F) is recommended. The temperature of the faceplate is determined by the combined heating effects of the incident illumination on the faceplate, the associated components, and the tube itself. To reduce these heating effects in film-pickup cameras and permit operation in the preferred temperature range with a high value of illumination, the use of an infrared filter between the projector and faceplate as well as a



92CM-9499

Fig.2 - Typical Characteristics of Type 7263.

The *target connection* is made by a suitable spring contact bearing against the edge of the metal ring at the face end of the tube. This spring contact may conveniently be provided as part of the focusing-coil design.

Support for the 7263 should be provided such that, under vibration and shock, the tube will not be displaced with respect to the focusing, deflecting, and alignment fields. Suitable support is provided for the tube and its socket in the RCA Deflection Assembly 200SDU501, or equivalent. Orientation of the 7263 in its support should be

blast of cooling air directed across the faceplate from a blower is recommended.

The dark current is doubled for every 10° C rise in the temperature of the faceplate, and halved for every 10° C decrease in the temperature of the faceplate. To obtain optimum performance,

it is desirable to select an operating temperature which provides the best balance between lag and sensitivity. The faceplate should be held close to this temperature to assure stability of black level and signal-output level.

The *target voltage* should be obtained from an adjustable dc source. As the target voltage is increased, the dark current increases as shown in Fig.3. The target voltage must be adjusted to produce the desired value of dark current depending on the type of operation. The target-voltage range of the 7263 for a given value of dark current is small, as shown in Fig.3. This feature permits utilization of simplified circuits in cameras where automatic change in target voltage is desired to compensate for varying light levels. *It should be noted that individual 7263's will have substantially identical performance characteristics when operated with an identical value of dark current.* For proper adjustment of the target voltage on each 7263, see *sequence of adjustments* on page 10).

The *focusing-electrode (grid No.3) voltage* may be fixed at a value of about 280 volts when focusing control is obtained by adjusting the current through the focusing coil. In general, resolution decreases with decreasing grid-No.3 voltage. Operation at a grid-No.3 voltage below 250 volts is not recommended. The necessary range of current adjustment will depend on the design of the coil, but should be such as to provide a field-strength range of 36 to 44 gauss. When it is desired to use a fixed value of focusing-coil current capable of providing a fixed strength of 40 gauss at the center of the focusing device, the grid-No.3 voltage should be adjustable over a range from 250 to 300 volts.

Definition, focus uniformity, and picture quality decrease with decreasing grid-No.4 and grid-No.3 voltage. In general, grid No.4 and grid No.3 should be operated above 250 volts.

The *grid-No.1 supply voltage* should be adjustable from 0 to -110 volts.

The *dc voltages* required by the 7263 can be provided by the circuit shown in Fig.4.

A *blanking signal* should be supplied to grid No.1 or to the cathode to prevent the electron beam from striking the photoconductive layer during the return portions of the horizontal and vertical deflecting cycles. Unless this is done, the camera-tube return lines will appear in the reproduced picture. The blanking signal is a series of negative voltage pulses when it is applied to grid No.1, or a series of positive voltage pulses when it is applied to the cathode.

Beam intensity is controlled by the amount of negative voltage on grid No.1. The beam must have adequate intensity to drive the highlight elements of the photoconductive-layer surface to

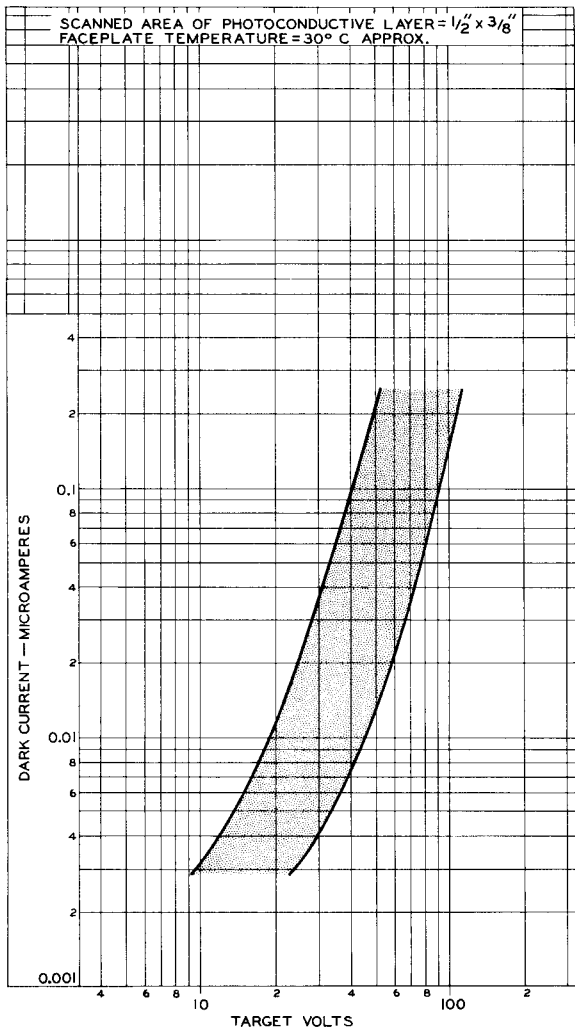
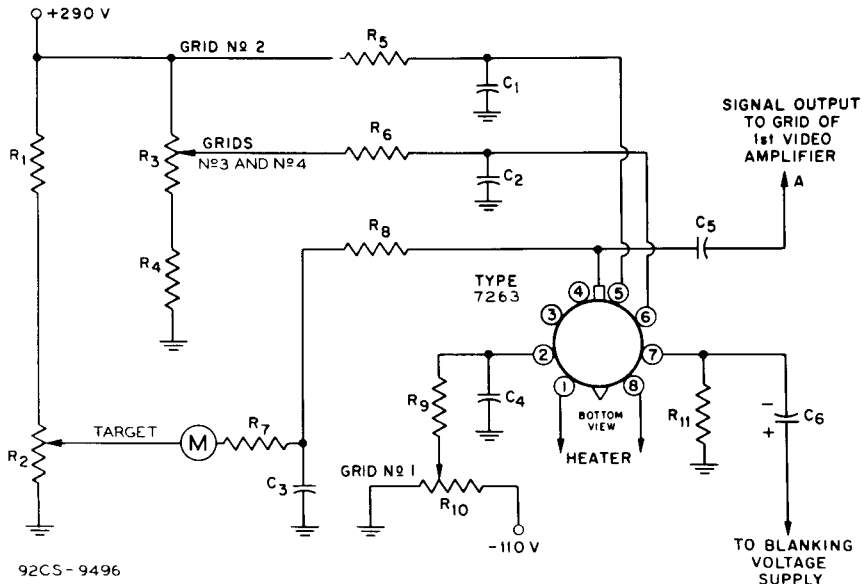


Fig.3 - Range of Dark Current for Type 7263.

it is desirable to operate the 7263 at a pre-established value of dark current. Therefore, if the temperature of the faceplate is allowed to vary it will be necessary to adjust the target voltage to maintain the desired dark current, as shown in Fig.2. Since the sensitivity of the tube decreases with increasing temperature, the amount of faceplate illumination necessary to produce a given signal as a function of faceplate temperature is also shown in Fig.2. In addition, the lag will decrease with increasing temperature as shown in Fig.2. For live pickup,



92CS-9496

- | | |
|---|---|
| C1 C4: 0.1 μ f, 300 volts (working voltage) | R1: 120000 ohms, 1/2 watt |
| C2: 0.1 μ f, 300 volts (working voltage) | R2: 100000-ohm potentiometer, 2 watts |
| C3 C5: 0.1 μ f, 200 volts (working voltage) | R3: 50000-ohm potentiometer, 2 watts |
| C6: 4 μ f, electrolytic, 300 volts (working voltage) | R4: 70000 ohms, 1/2 watt |
| M: Target-Current Meter, RCA Ultra-sensitive Microammeter WV-848, or equivalent | R5: 5000 ohms, 1/2 watt |
| | R6: 10000 ohms, 1/2 watt |
| | R7: 200000 ohms, 1/2 watt |
| | R8: 50000 ohms, 1/2 watt, non-inductive |
| | R9: 100000 ohms, 1/2 watt |
| | R10: 500000-ohm potentiometer, 2 watts |
| | R11: 1000 ohms, 1/2 watt, non-inductive |

Fig. 4 - Typical Voltage Dividers for Supplying DC Electrode Voltages to Type 7263.

cathode potential on each scan. When the beam has an intensity sufficient only to drive the lowlight elements to cathode potential, the high-light elements are not returned to cathode potential. As a result, the picture highlights all have the same brightness and show no detail. Also, when the beam has insufficient intensity, the photoconductive-layer surface which normally rises in potential by only a small fraction of the signal-electrode potential during each scan, gradually rises in potential to a value approaching nearly the full signal-electrode potential in the highlights. Under this condition, many scans are required to drive to cathode potential any element which has changed from a highlight to a lowlight because of movement of the image. As a result, the highlights tend to "stick". The loss of highlight detail and sticking of the highlights is referred to as "bloom".

On the other hand, a beam with excessively high intensity should not generally be used because the size of the scanning spot increases with resultant decrease in resolution.

The video amplifier system should be designed to handle peak ac voltages corresponding to a highlight target current of 0.5 microampere through the target load resistor. Such a system

is shown by the block diagram in Fig. 5 (a). This system employs a low-noise, cascode preamplifier having an 8-Mc bandwidth as shown in Fig. 5 (b).

Aperture correction compensates for the aperturing effect of the scanning beam in the 7263. This effect produces a horizontal square-wave response shown by the "uncompensated" curve in Fig. 6. When this effect is compensated, the horizontal square-wave response of the video system is raised to approximately 100 per cent over the entire broadcast bandwidth of 4.5 Mc, and is shown by the "compensated" curve in Fig. 6. This compensation, however, does not affect the vertical resolution. Combining the compensated horizontal resolution and the uncorrected vertical resolution yields the equivalent square-wave response which is shown in Fig. 6 and is expressed by the equation

Equiv. Square-Wave Response = $\sqrt{R_v \times R_h}$
 where R_v and R_h are the vertical square-wave response and the horizontal square-wave response, respectively.

The illumination incident on the faceplate will range from relatively high values for film pickup to relatively low values for direct pickup. For satisfactory operation of the 7263 at these extremely different light levels, it is essential that the target voltage be properly adjusted with reference to the curves in Figs. 7, 8, and 11 to give the proper value of dark current for the desired service. Adjustment of the target voltage to obtain the desired dark current, is covered in sequence of adjustments on page 10.

For live pickup involving low illumination levels, a good picture can be obtained with a highlight illumination of 1 to 3 foot-candles on the faceplate of the 7263. Such a low illumination level, however, requires maximum-sensitivity operation of the 7263. For this type of operation, a dark current of 0.2 microampere is required. This value will be obtained for a target voltage within the range of 60 to 100 volts. Under such low-level illumination conditions, the lag will be somewhat greater and the black-level uniformity will be somewhat poorer than for live-pickup conditions with higher faceplate illumination and lower dark current.

When the 7263 is used for live pickup with illumination levels of 10 to 20 foot-candles on the faceplate, a dark current of 0.02 microampere



is required. This value will be obtained for a target voltage within the range of 30 to 50 volts.

For film pickup, an average highlight illumination of 50 to 200 foot-candles is required on the faceplate of the 7263 for minimum

current will be known at all times, it is recommended that the camera be provided with a suitable microammeter in the target circuit of each 7263 to read average target current, or that a calibration pulse of the proper magnitude be fed into

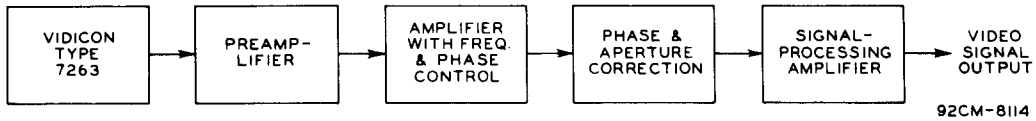
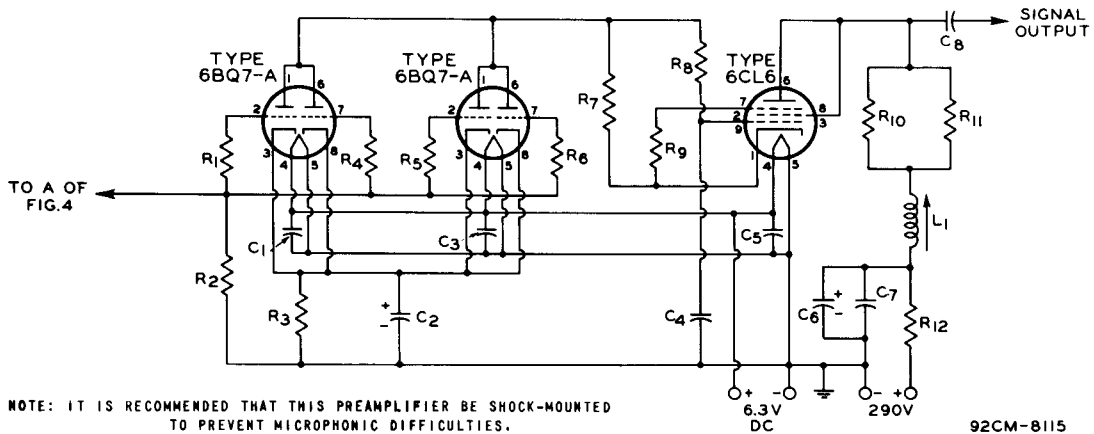


Fig. 5 (a) - Block Diagram of Video System.



- All capacitor voltages are working values
- C1 C3 C5: 0.01 μ f, 100 volts
 - C2: 2000 μ f, electrolytic, 3 volts
 - C4: 0.01 μ f, 350 volts
 - C6: 90 μ f, electrolytic, 350 volts
 - C7: 0.1 μ f, 350 volts
 - C8: 0.1 μ f, 300 volts
 - L1: 12 μ h peaking coil, adjustable core to cover range from 9 to 15 μ h

- All resistors are of the carbon-composition type
- R1 R4 R5 R6: 100 ohms, 1/2 watt
 - R2: 500000 ohms, 1/2 watt
 - R3: 15 ohms, 1/2 watt
 - R7: 12 ohms, 1/2 watt
 - R8: 100000 ohms, 1/2 watt
 - R9: 1 megohm, 1/2 watt
 - R10 R11: 1800 ohms, 2 watts
 - R12: 470 ohms, 2 watts

Fig. 5 (b) - Low-Noise Cascode Preamplifier Having 8-Mc Bandwidth.

lag and best black-level uniformity. For this range of illumination, a dark current of about 0.004 microampere is required, and the target voltage will range between 15 and 25 volts.

The exact value of target voltage to give the required dark current will depend on the individual tube and on the temperature at which its faceplate is operated. It is important that the tube be allowed to reach a stable operating temperature before the operating dark current is determined; otherwise the dark current will change as the temperature of the tube changes.

In all cases, the illumination level and/or dark current must be limited or adjusted so that the peak signal-output current does not exceed those values shown under Typical Operation. In order that the signal-output current and dark

the input of the video preamplifier to indicate peak target currents.

The maximum amount of illumination on the photoconductive layer is limited primarily by the temperature of the faceplate which should never exceed 60° C and should preferably be maintained within the operating range from 25° C to 35° C for most satisfactory performance.

Signal Output and Light Transfer Characteristics. Typical signal output as a function of uniform 2870° K tungsten illumination on the photoconductive layer for different values of dark current is shown in Fig. 8. It is to be noted that these curves are for a typical 7263 under the conditions indicated. Because the target voltage needed to give maximum sensitivity at a dark current of 0.2 microampere may range

between 60 and 100 volts, it is essential that the best operating target voltage be determined for each 7263. From these curves, it will also be noted that the illumination must be increased about 30 times to produce an increase of 10 times

value of gamma between individual 7263's is maintained to insure satisfactory operation of color cameras in which the signal-output currents of the three 7263's must match closely over a wide range of scene illumination. Because its

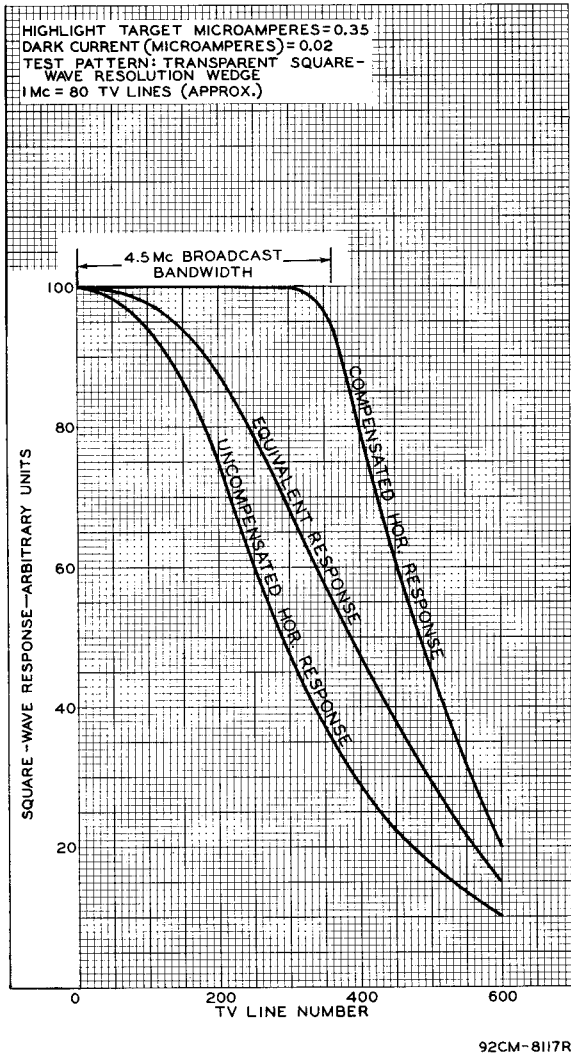


Fig.6- Curves Showing Uncompensated Horizontal Square-Wave Response of Type 7263 as well as Compensated Horizontal Square-Wave Response and Equivalent Square-Wave Response of the Video System Including Type 7263.

in signal-output current for any given value of dark current.

The average "gamma", or slope, of the light transfer characteristic curves shown in Fig.8 is approximately 0.65. This value is relatively constant over an adjustment range of 4 to 1 in target voltage, or 50 to 1 in dark current, for a signal-output current range between 0.01 and 0.3 microampere. Close uniformity in the

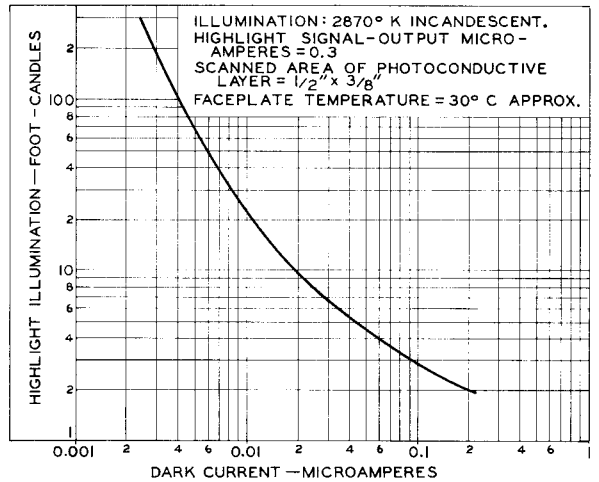


Fig.7- Typical Characteristic of Type 7263.

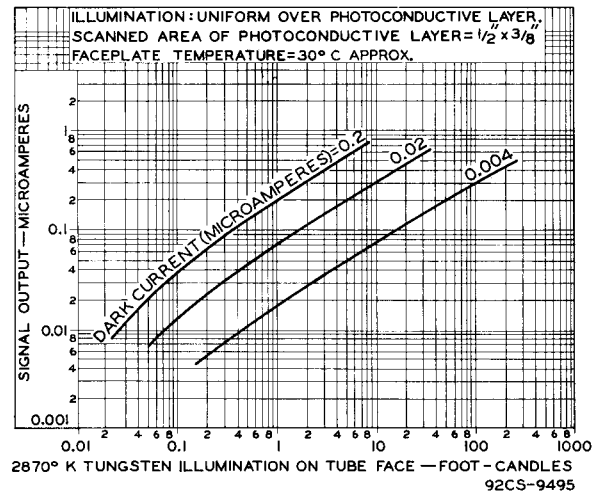


Fig.8- Light Transfer Characteristics of a Typical 7263 Vidicon.

transfer characteristic is approximately the complement of the transfer characteristic of a picture tube, the 7263 can produce a picture having proper tone rendition.

Because uniformity of sensitivity of the photoconductive layer in the 7263 is excellent, uniform signal output over the scanned area can be obtained if the 7263 is operated with a deflecting-yoke and focusing-coil system designed

so that no beam landing errors are produced in the vidicon. If the 7263 is to be utilized with designs of focusing and deflecting systems which introduce such errors, uniform sensitivity over the scanned area of the 7263 can be achieved by

as the beam approaches the edges of the scanned area. The modulating waveform should contain parabolic components of both the horizontal and vertical scanning frequencies. The horizontal component should have the greater amplitude and will be the most effective in obtaining uniform sensitivity.

The circuit of Fig.9 shows the amount of parabolic-waveform voltage required and the method of applying the waveform to the cathode, grid No.1, and grid No.2 of a 7263 which utilizes a deflecting-yoke and focusing-coil system that introduces beam landing errors. The modulating voltage is applied to grid No.1 and grid No.2 as well as to the cathode to prevent modulation of the scanning beam.

The use of this modulating waveform also improves the center-to-edge focus of the vidicon and assures that sensitivity over the scanned area will be uniform for the recommended dark current for any specific service. Care must be taken that identical waveforms are applied to electrodes of each of the three tubes when using the 7263 in 3-vidicon color cameras to insure good registration of all signals over the entire scanned area.

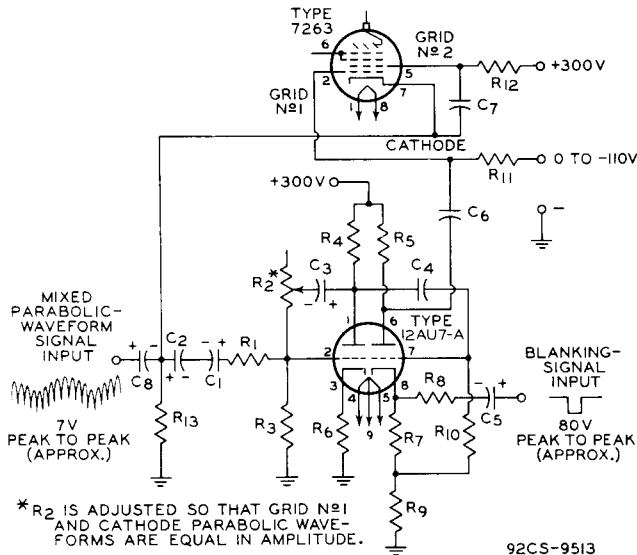
Persistence or lag of the photoconductive layer is given in Fig.10 for two values of dark current. Each curve shows the decay in signal-output current from an initial value of 0.3 microampere after the illumination is cut off. The effect of faceplate temperature on persistence is shown in Fig.2.

Persistence of the photoconductive layer for different values of dark current is given by the curve in Fig.11. It is to be noted that the initial signal-output current is held constant for each value of dark current. This curve shows decreasing lag with decreasing dark current, and a small value of lag for the low value of dark current recommended for film pickup.

Signal-output-current buildup when light is applied to the photoconductive layer previously in the dark is as fast or faster than the rate of decay.

The *spectral response* of the 7263 is shown by curves A and C in Fig.12. Curve A is on the basis of equal values of signal-output current at all wavelengths, whereas curve C is on the basis of equal values of signal-output current with radiant flux from a tungsten source at 2870° K. For comparison purposes, the response of the eye is shown in curve B.

Full-size scanning of the 1/2" x 3/8" area of the photoconductive layer should always be used. This condition can be assured by first adjusting the deflection circuits to overscan the photoconductive layer sufficiently so that the edges of the sensitive area can be seen on the monitor. Then, after centering the image on



92CS-9513

All capacitor voltages are working values

C1: 8 μ f, electrolytic, 25 volts	C5: 8 μ f, electrolytic, 450 volts
C2: 8 μ f, electrolytic, 450 volts	C6: 1 μ f, paper tubular, 400 volts
C3: 8 μ f, electrolytic, 450 volts	C7: 30 μ f, electrolytic, 450 volts
C4: 0.1 μ f, paper tubular, 400 volts	C8: 125 μ f, electrolytic, 350 volts

All resistors are of the carbon-composition type

R1: 10000 ohms, 1/2 watt	R7: 1800 ohms, 1/2 watt
R2: 50000 ohm-potentiometer, linear taper	R8: 10000 ohms, 1/2 watt
R3: 1 megohm, 1/2 watt	R9: 8200 ohms, 1 watt
R4: 20000 ohms, 1/2 watt	R10: 1 megohm, 1/2 watt
R5: 10000 ohms, 1 watt	R11: 100000 ohms, 1/2 watt
R6: 1000 ohms, 1/2 watt	R12: 5100 ohms, 1/2 watt
	R13: 1000 ohms, 1/2 watt

Fig.9 - Typical Circuit for Applying Waveform to Compensate for Beam Landing Errors in Type 7263.

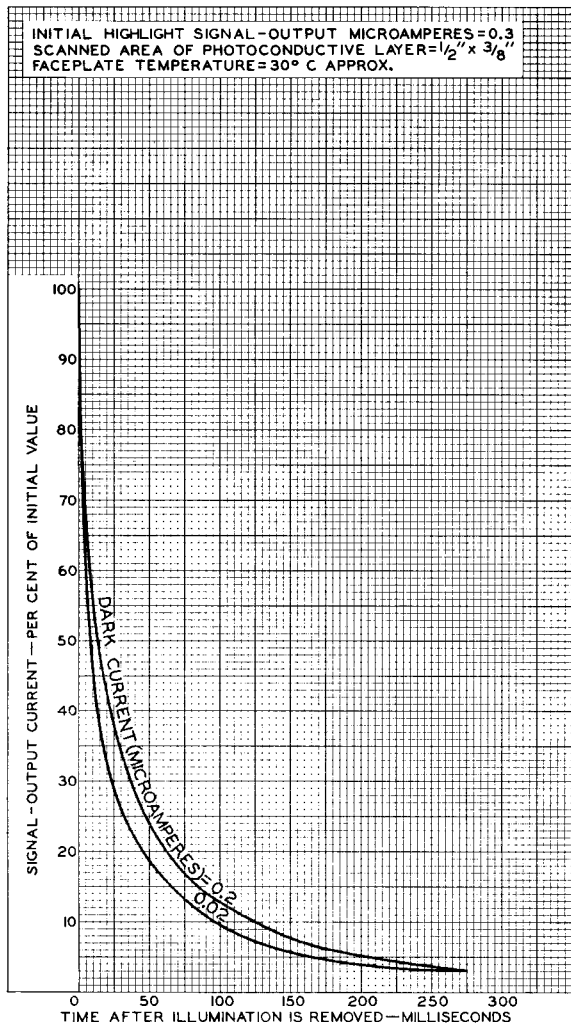
compensating for the beam landing errors thus introduced. Without compensation for these errors, variations in sensitivity over the scanned area will occur. These variations resulting from beam landing errors are in the form of lower signal from the edges of the scanned area than from the center. However, because of the uniformity of the photoconductive layer, these variations in sensitivity are the same from tube to tube. Compensation for the beam landing errors to achieve uniform sensitivity can be obtained by supplying a modulating voltage of a suitable waveform to the cathode of the 7263. The desired waveform is parabolic in shape and of such a polarity that the cathode voltage is lowered

the sensitive area (see Fig.13), reduce scanning until the edges of the image just disappear. In this way, the maximum signal-to-noise ratio and maximum resolution can be obtained. It should be noted that overscanning the photoconductive

will be visible in the picture when full-size scanning is restored.

Failure of scanning even for a few seconds may permanently damage the photoconductive layer. The damaged area shows up as a spot or line in the picture during subsequent operation. To avoid damaging the 7263 during scanning failure, it is necessary to prevent the scanning beam from reaching the layer. The scanning beam can conveniently be prevented from reaching the layer by increasing the grid-No.1 voltage to cutoff.

The *sequence of adjustments* in operating the 7263 for live pickup is as follows: With the Grid-No.1 Voltage Control set for maximum negative bias (beam cutoff), Target Voltage Control set

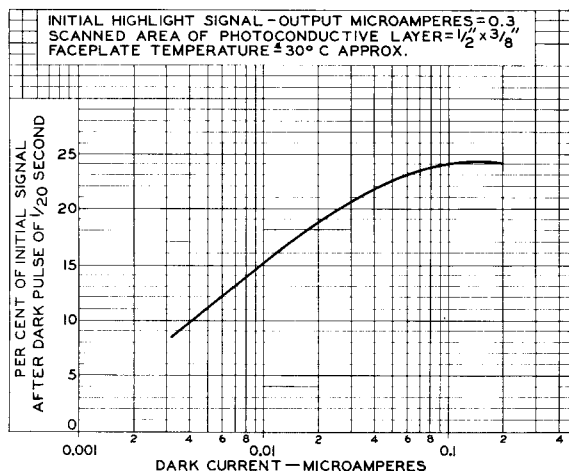


92CM-9505

Fig.10 - Typical Persistence Characteristics of Type 7263.

layer produces a smaller-than-normal picture on the monitor.

Underscanning of the photoconductive layer, i.e., scanning an area of the layer less than $1/2" \times 3/8"$, should never be permitted. This condition which produces a larger-than-normal picture on the monitor, not only causes sacrifice in signal-to-noise ratio and resolution, but also may cause permanent change in sensitivity and dark current of the underscanned area. An underscanned area showing such a change



92CS-9504

Fig.11 - Typical Persistence Characteristic of Type 7263.

for the minimum voltage shown under *Typical Operation*, and Deflection Controls set for maximum overscan, apply other voltages to the 7263 as indicated under *Typical Operation*.

Next, with a $1/2" \times 3/8"$ mask centered on the face of the tube, and with the iris set for minimum opening, decrease the grid-No.1 bias to just bring out the highlight details of the picture on the monitor. Adjust the Beam-Focus Voltage Control, the lens stop, and the optical focus to obtain the best picture. Reduce horizontal and vertical scanning so that the edges of the image extend just outside the scanned area on the monitor. Then adjust the alignment field so that the center of the picture does not move as the beam-focus voltage is varied. Some readjustment of horizontal and vertical centering may be necessary after alignment.

For maximum-sensitivity operation of the 7263 in live-pickup service, proceed as follows. With no illumination on the face of the tube, increase

the target voltage until a dark current of 0.2 microampere is measured. The current should be measured with a sensitive microammeter such as the RCA Type WV-84B Microammeter.

Next, open the lens and adjust the aperture to give a peak signal-output current of 0.2 to 0.3 microampere. A good procedure for doing this is to focus the camera on a uniform white area

duced by any scene to the peak value measured with the microammeter when the camera is focused on a uniformly bright scene. When a camera is adjusted in this manner, video gain should be kept constant and the light level on the tube

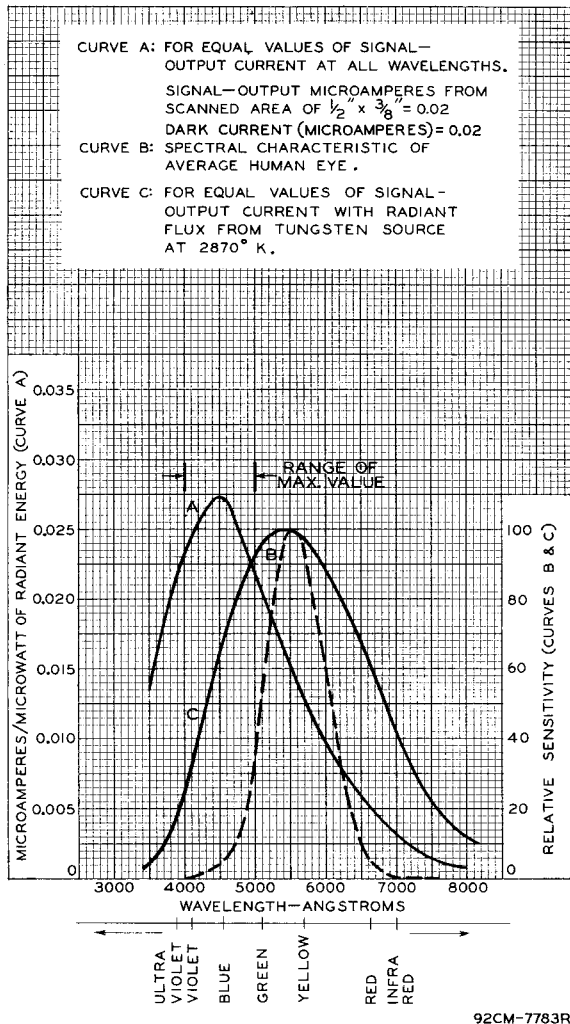


Fig. 12 - Spectral Sensitivity Characteristics of Type 7263.

having the same brightness as the highlights in the scene to be televised. The image of this white area must at least cover the scanned area of the tube face. The current read on the microammeter will be the dark current plus the peak signal-output current, i.e., highlight target current.

A waveform-oscilloscope monitor can be used to compare the peak signal-output current pro-

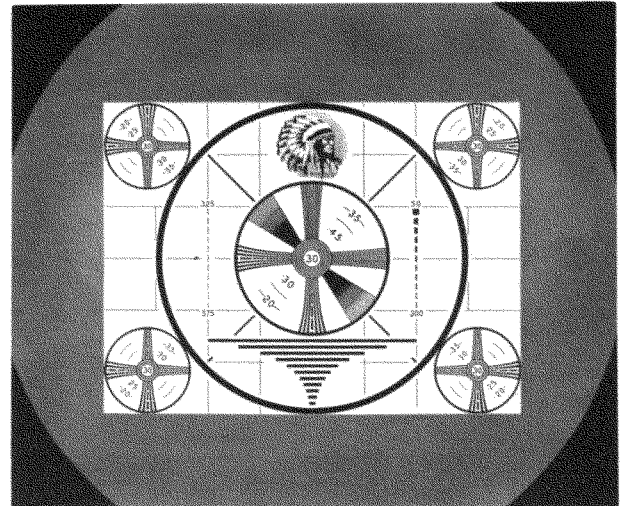


Fig. 13 - Illustration Showing Proper Positioning of Image on the Face of the Vidicon.

face should be controlled to maintain the constant predetermined value of peak signal as observed on the oscilloscope.

After adjusting the light level to obtain the correct signal-output current, the grid-No.1-bias voltage should be adjusted to just discharge the highlights. Too much current will result in poor resolution and poor picture quality. After the grid-No.1 bias is properly adjusted, it will be necessary to check and readjust the dark current and the peak signal-output current.

Proper adjustment of the dark current, the peak signal-output current, and the grid-No.1 bias, will result in a picture of good quality with minimum smearing of moving objects.

For average-sensitivity operation of the 7263 in live-pickup service, the adjustments are similar to those for maximum-sensitivity operation except that the target voltage should be adjusted to produce a dark current of 0.02 microampere. When sufficient light is available, decreased lag can be obtained by operating with this lower value of dark current.

For film-pickup operation of the 7263, the adjustments will be similar to those for live pickup except that the target voltage should be adjusted to produce a dark current of 0.004 microampere and the peak signal-output current should be adjusted to the desired value by controlling the light level on the faceplate of the tube.

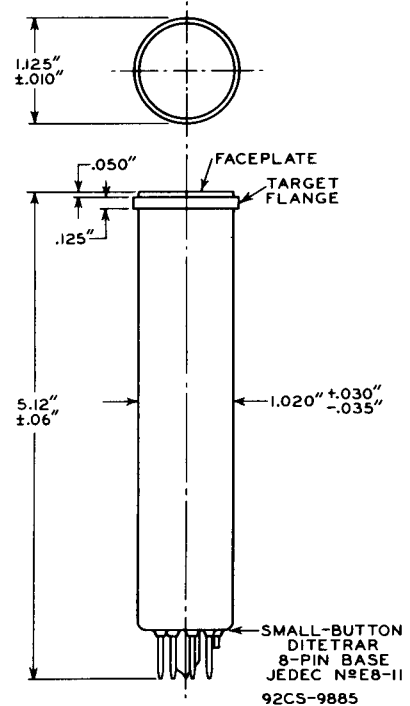


In setting up three 7263's in a color camera, particular attention must be given to proper alignment, best obtainable focus, and identical centering of scanned areas on the photoconductive layers. For best color balance and color tracking over a wide range of light levels, the light level in each color channel should be controlled so that each of the three 7263's develops the same value of peak signal output for white portions of a scene. Observation of these operating conditions will assure good registration and good color balance.

REFERENCES

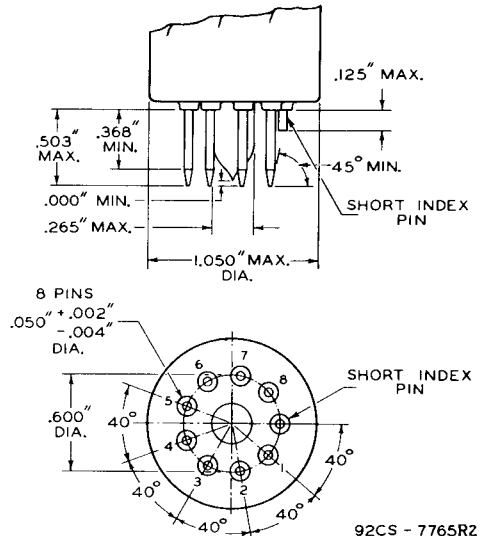
- Otto H. Schade, "Electro-Optical Characteristics of Television Systems; Introduction and
 "Part I -- Characteristics of Vision and Visual Systems," RCA Review, March, 1948;
 "Part II -- Electro-Optical Specifications for Television Systems", RCA Review, June, 1948.
 "Part III -- Electro-Optical Characteristics of Camera Systems," RCA Review, September, 1948;
 "Part IV -- Correlation and Evaluation of Electro-Optical Characteristics of Imaging Systems," RCA Review, December, 1948.
- R. G. Neuhauser, "Vidicon for Film Pickup," Jour. of S.M.P.T.E., Vol.62, No.2, February, 1954.
- H. N. Kozanowski, "Vidicon Film-Reproduction Cameras," Jour. of S.M.P.T.E., Vol.62, No.2, February, 1954.
- H. N. Kozanowski, "3-Vidicon Color Film Camera," Broadcast News, No.79, May-June, 1954.
- R. G. Neuhauser and L. D. Miller, "Beam-Landing Errors and Signal-Output Uniformity of Vidicons," Jour. of S.M.P.T.E., Vol.67, March, 1958.
- L. D. Miller and B. H. Vine, "An Improved Developmental One-Inch Vidicon for Television Cameras," Jour. of S.M.P.T.E., Vol.67, March, 1958.

DIMENSIONAL OUTLINE

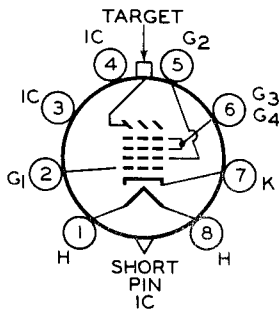


BASE DRAWING

SMALL - BUTTON DITETRAR
 8-PIN BASE
 JEDEC N°E8 - II



SOCKET CONNECTIONS Bottom View



DIRECTION OF LIGHT:
 INTO FACE END OF TUBE

8HM

- | | |
|---|--|
| PIN 1: HEATER | PIN 6: GRIDS No.3 AND No.4 |
| PIN 2: GRID No.1 | PIN 7: CATHODE |
| PIN 3: INTERNAL CONNECTION—
DO NOT USE | PIN 8: HEATER |
| PIN 4: INTERNAL CONNECTION—
DO NOT USE | FLANGE: TARGET |
| PIN 5: GRID No.2 | SHORT INDEX PIN:
INTERNAL CONNECTION—
MAKE NO CONNECTION |

BASE-PIN POSITIONS ARE HELD TO TOLERANCES SUCH THAT ENTIRE LENGTH OF PINS WILL, WITHOUT UNDUE FORCE, PASS INTO AND DISENGAGE FROM FLAT-PLATE GAUGE HAVING THICKNESS OF 1/4" AND NINE HOLES WITH DIAMETERS OF 0.0700" ± 0.0005" SO LOCATED ON A 0.6000" ± 0.0005" DIAMETER CIRCLE THAT THE DISTANCE ALONG THE CHORD BETWEEN ANY TWO ADJACENT HOLE CENTERS IS 0.2052" ± 0.0005". GAUGE IS ALSO PROVIDED WITH A HOLE HAVING DIAMETER OF 0.300" ± 0.001" CONCENTRIC WITH THE PIN CIRCLE.

Devices and arrangements shown or described herein may use patents of RCA or others. Information contained herein is furnished without responsibility by RCA for its use and without prejudice to RCA's patent rights.