



**12BH7**

12BH7 is A.F. Double Triode



**Quick reference data**

- Anode current  $I_a=11,5\text{mA}$
- Transconductance  $S=3,1\text{mA/V}$
- Amplification  $\mu=16,5$

**Heating**

Heating is indirect by AC or DC, with serial or parallel supply.

Heater voltage	$V_f$	6,3	12,6	(V)
Heater current	$I_f$	0,6	0,3	(A)

---

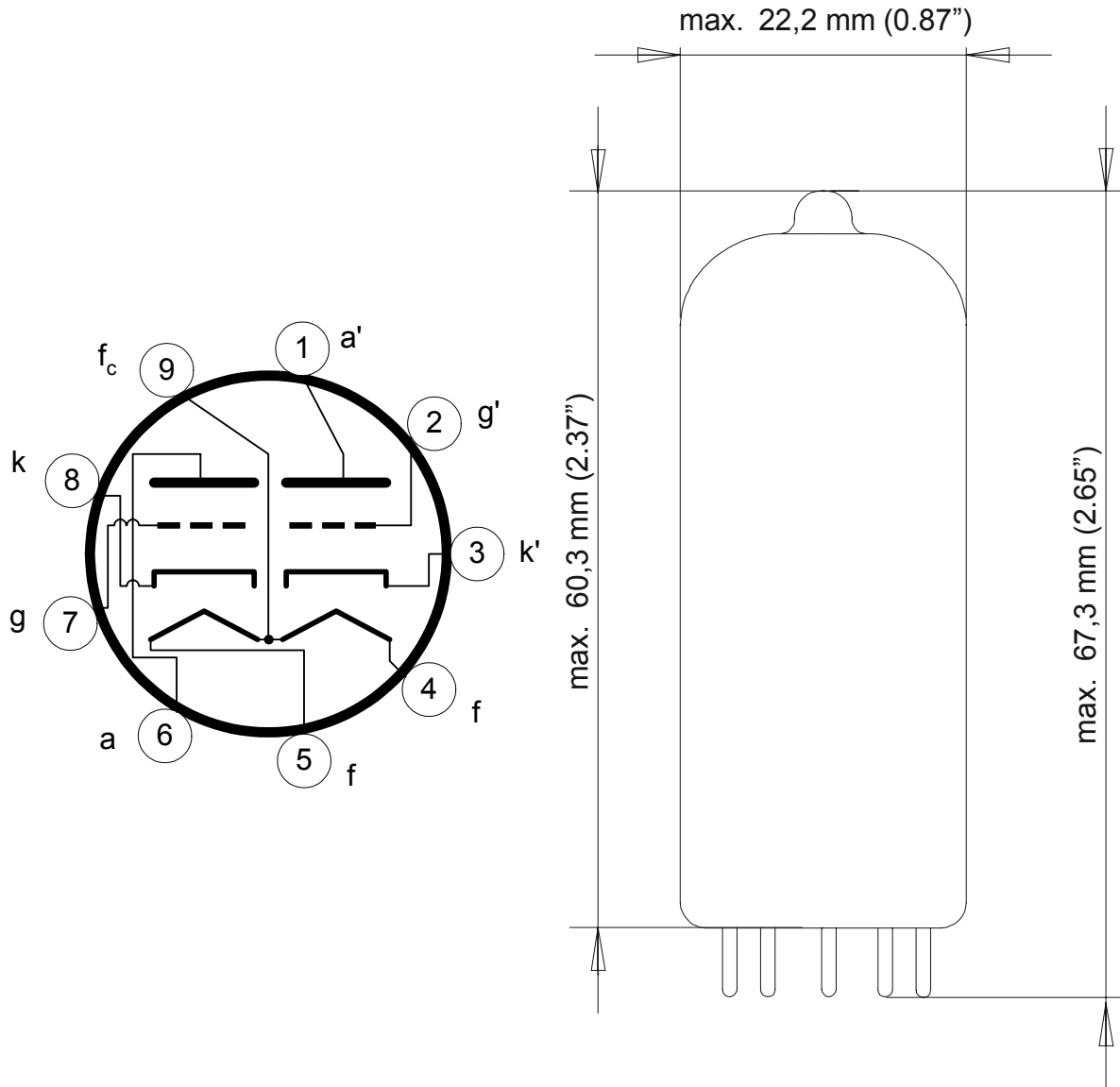
Telephone: +381 18 550 741  
FAX: +381 18 550 806  
Postal address: Bul. Sv. Cara Konstantina 80-86, 18000 Nis, Yugoslavia  
Electronic mail: [eirc@eierc.com](mailto:eirc@eierc.com)  
Web site: <http://www.eierc.com/rc>



**12BH7**

**Dimensions and connections**

Base: Noval



Telephone: +381 18 550 741  
FAX: +381 18 550 806  
Postal address: Bul. Sv. Cara Konstantina 80-86, 18000 Nis, Yugoslavia  
Electronic mail: [eirc@eierc.com](mailto:eirc@eierc.com)  
Web site: <http://www.eierc.com/rc>

**12BH7****Typical characteristics and operating conditions**

		Class A1 amplifier	Vertical deflection amplifier	
Anode voltage	$V_a$	250	350	(V)
Grid voltage	$V_g$	-10,5		(V)
Anode current	$I_a$	11,5	16	(mA)
Transconductance	S	3,1	3,1	(mA/V)
Amplification	$\mu$	16,5	16,5	
Anode resistance (approx.)	$R_a$	5,3		(k $\Omega$ )
Cathode bias resistor	$R_k$		560	(k $\Omega$ )
Grid input voltage	Peak to peak sawtooth component	$V_{pp}$	25	(V)
	Negative peak component	$V_p$	32	
Anode output voltage	Peak positive pulse component	$V_p$	670	(V)
	Peak to peak sawtooth component	$V_{pp}$	230	

**Maximum ratings**

		Class A1 amplifier	Vertical deflection amplifier	
Anode voltage	$V_a$	300	450	(V)
Peak positive plate voltage			1500	(V)
Anode dissipation (each section)	$W_a$	3,5	3,5	(W)
Peak negative pulse grid voltage			250	(V)

Telephone: +381 18 550 741

FAX: +381 18 550 806

Postal address: Bul. Sv. Cara Konstantina 80-86, 18000 Nis, Yugoslavia

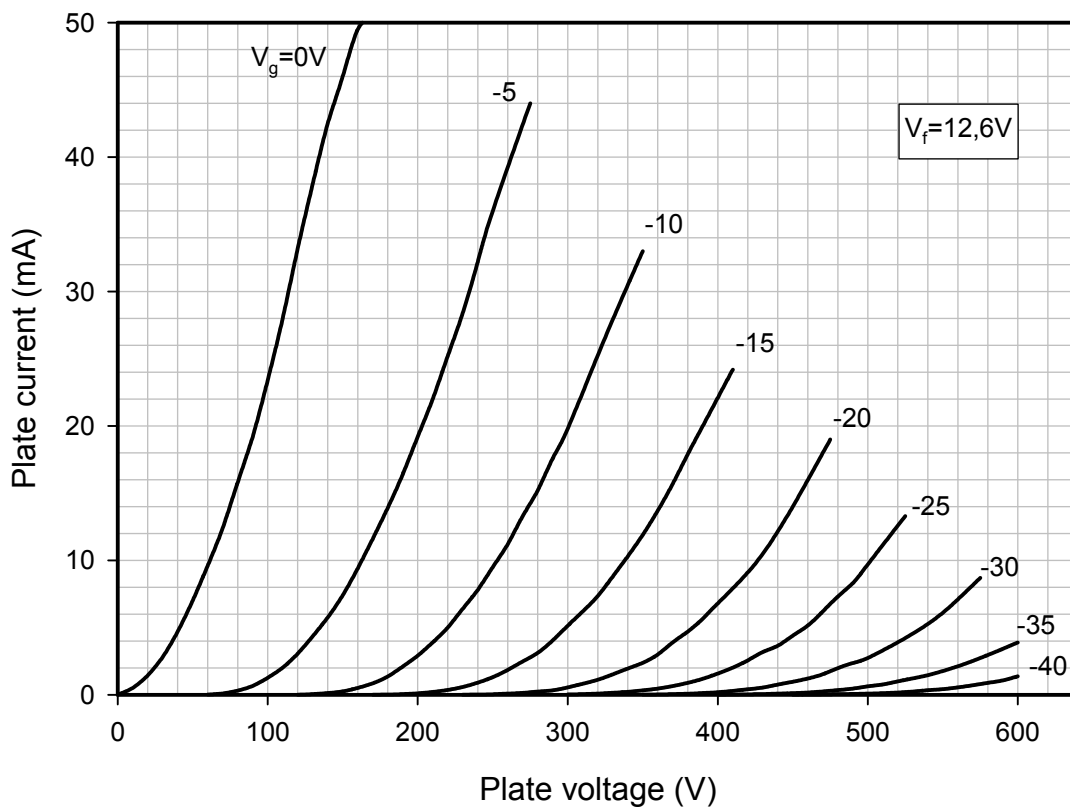
Electronic mail: [eirc@eierc.com](mailto:eirc@eierc.com)Web site: <http://www.eierc.com/rc>



**12BH7**

Average cathode current (each section)		20	20	(mA)
Peak cathode current			70	(mA)
Grid circuit resistance	fixed bias		0,25	(MΩ)
	cathode bias		1	

Average plate characteristics 12BH7 (each section)



Telephone: +381 18 550 741  
FAX: +381 18 550 806  
Postal address: Bul. Sv. Cara Konstantina 80-86, 18000 Nis, Yugoslavia  
Electronic mail: [eirc@eierc.com](mailto:eirc@eierc.com)  
Web site: <http://www.eierc.com/rc>