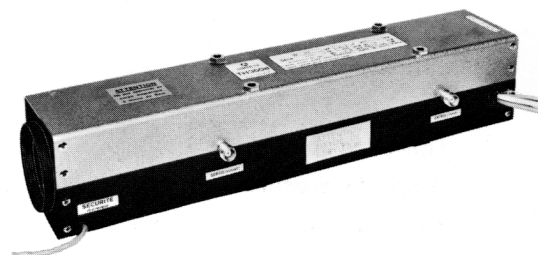




## TOP 1334 TRAVELING WAVE TUBE

The TOP 1334 is a traveling wave tube capable of delivering more than 150 W in the 7.0 to 11 GHz frequency range.

The tube is equipped with periodic magnet and isolated collector. An all ceramic metal construction makes it highly rugged and ensures satisfactory operation under the most severe environmental conditions. The heat dissipation capability of the helix has been increased by a special brazing technique, resulting in lower operating temperature. The impregnated cathode, operating at low current density provides longer life expectancy. Depressed collector operation insures 25 % efficiency. Upon request, it can be equipped with a low voltage control anode for pulse modulation.



This traveling wave tube offers the following main features :

- high reliability,
- long life,
- low weight,
- rugged construction.

### GENERAL CHARACTERISTICS

#### Electrical (1)

	min.	avg.	max.	
Frequency .....	7.0	-	11	GHz
Heater voltage .....	-	6.3	-	V
Heater current .....	-	2.7	-	A
Output power .....	150	-	-	W
Gain .....	30	-	-	dB

(1) All voltages are referred to the cathode.



	min.	avg.	max.	
Helix voltage	—	6.3	—	kV
Helix current	—	—	25	mA
Anode current	—	—	0.5	mA
Cathode current	—	180	—	mA
Load VSWR	—	—	1.2 : 1	

**Mechanical**

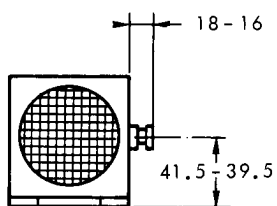
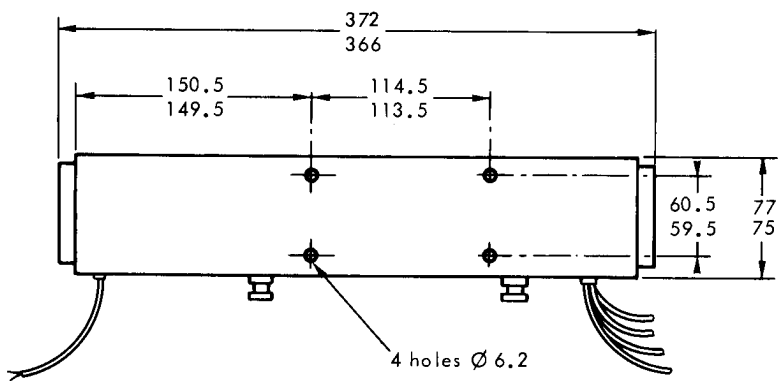
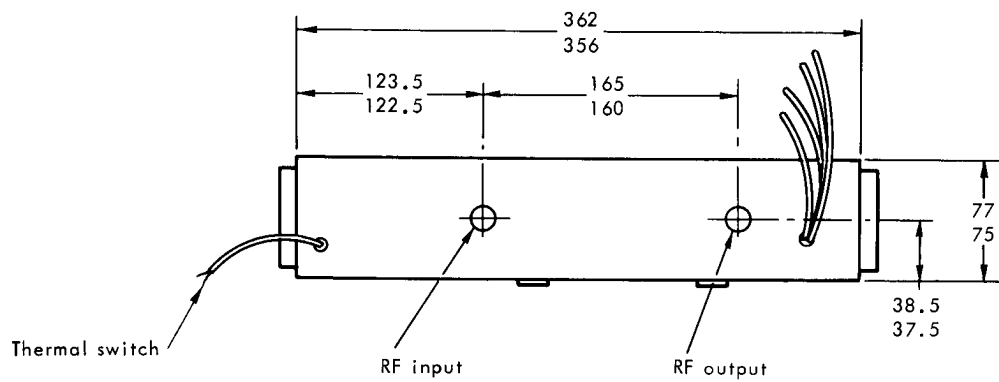
Operating position	any
Weight (approximate)	2.3 kg
RF input and output connections	T N C
Supply connections	flexible leads
Cooling	forced air

**ABSOLUTE RATINGS**

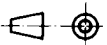
	min.	max.	
Heater current	2.4	3.0	A
Heater voltage	6.2	6.4	V
Warm-up time	3	—	mn
Helix voltage	6.1	6.9	kV
Helix current	—	20	mA
Anode voltage	6.0	6.6	kV
Anode current	—	5	mA
Cathode current	—	210	mA
Collector dissipation	—	1600	W
Drive power	—	150	mW
Load VSWR	—	2 : 1	
Cooling air flow	60	—	l/s



### OUTLINE DRAWING



Dimensions in mm.



TOP 1334



**THOMSON-CSF**  
GROUPEMENT TUBES ELECTRONIQUES

