



### MECHANICAL DATA

Ambient Temperature Range (Non-Operating) . . . -40 to +100° C  
 Outline . . . . . See Drawing  
 Operating Mounting Position . . . . . Any  
 (Either end may be used as input or output)

### ELECTRICAL DATA

#### FREQUENCY RANGE

Operational Band for VSWR of 1.4 Max. . . . . 8565-9487 Mc  
 Operational Band for VSWR of 1.9 Max. . . . . 8490-9578 Mc

#### IGNITOR CHARACTERISTICS

Open Circuit Voltage . . . . . -700 V dc  
 Current . . . . . 100  $\mu$ a dc  
 Voltage Drop . . . . . 200-375 V dc

#### LOW POWER LEVEL UNFIRED CHARACTERISTICS

Insertion Loss,  $I_i = 100 \mu$ a, 8490-9578 Mc . . . . . 0.9 db Max.

#### HIGH POWER LEVEL FIRED CHARACTERISTICS

Flat Leakage Power<sup>1</sup> . . . . . 40 Mw Max.  
 Spike Leakage Energy<sup>1</sup> . . . . . 0.2 erg Max.  
 Recovery Time<sup>2</sup> . . . . . 10  $\mu$ sec. Max.  
 Arc Loss<sup>3</sup> . . . . . 0.8 db Max.

#### NOTES:

1.  $P_o = 40 \pm 10\% Kw$ ;  $t_{p1} = 1.0 \mu$ sec.;  $t_{p2} = 0.5 \mu$ sec.;  $prr = 1000 pps$ ,  $I_i = 100 \mu$ a.
2.  $P_o = 200 Kw$ ;  $t_p = 1.0 \mu$ sec.;  $prr = 1000 pps$ ;  $I_i = 100 \mu$ a.
3.  $P_o = 4 Kw$ ;  $t_p = 1.0 \mu$ sec.;  $prr = 1000 pps$ .

### APPLICATION DATA

The 6795 was developed for duplexer applications where small physical size is a major requirement. The slip-in type of contact mounting is adaptable to quick disconnect systems for insertion or removal of the TR tube from the duplexer.

In addition to branched duplexer applications where transmitter peak powers of 200 kilowatts or less may be used, the tube is ideal for use as an auxiliary TR tube in ferrite duplexers. The 6795 will protect a crystal from incident line powers well below the 1 watt peak power level.

### QUICK REFERENCE DATA

The Sylvania Type 6795 is a miniaturized X-band TR tube featuring reversible contact type mounting. It is a broad band tube for use in the 8500-9600 Mc frequency region.

**SYLVANIA ELECTRIC  
 PRODUCTS INC.**

**SPECIAL TUBE OPERATIONS  
 WOBURN, MASSACHUSETTS**

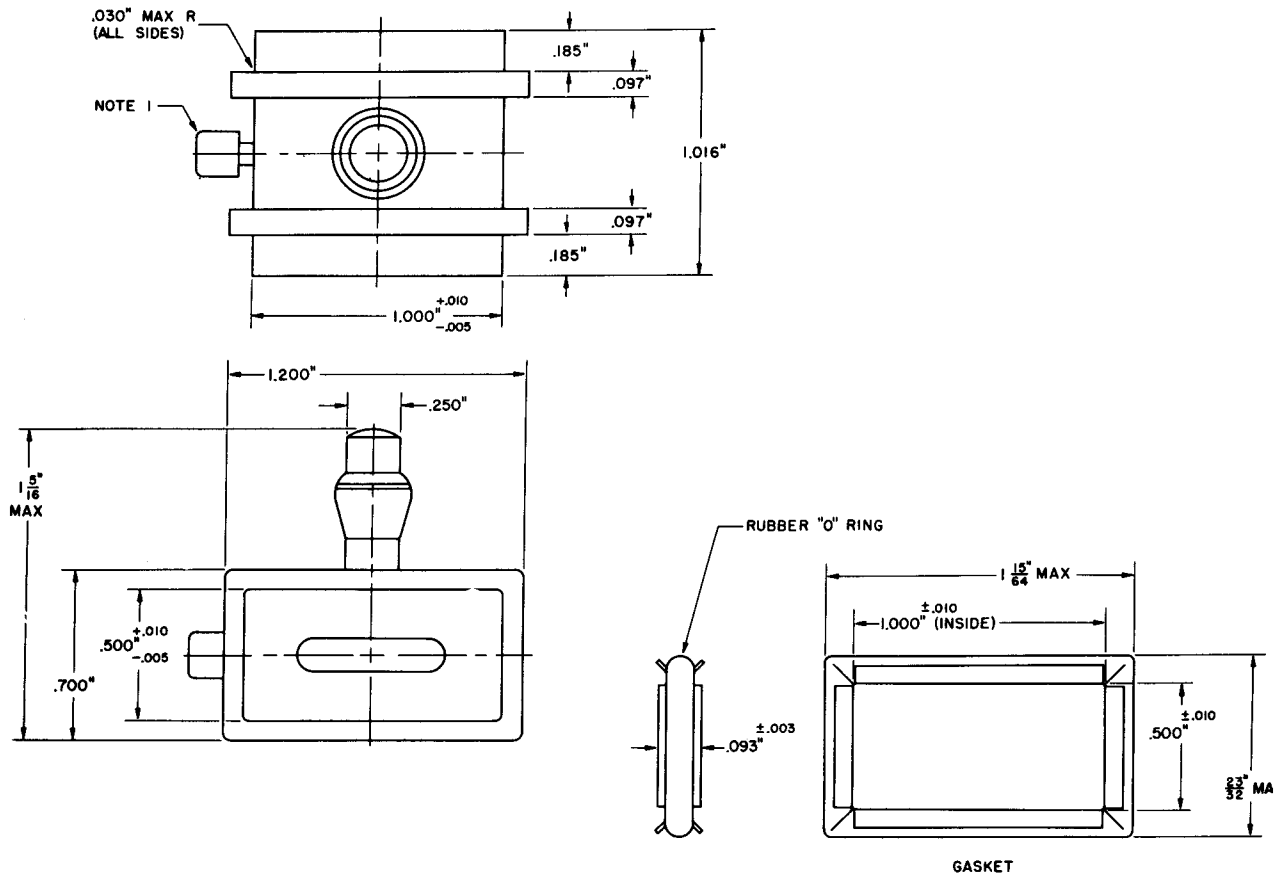
*Prepared and Released By The  
 TECHNICAL PUBLICATIONS SECTION  
 EMPORIUM, PENNSYLVANIA*

JUNE, 1957

PAGE 1 OF 2

*The information in this EDS is furnished without assumption of responsibility on the part of Sylvania Electric Products, Inc., for its use or interpretation or for any infringement of patent or other rights of third parties resulting from such use or interpretation.*

OUTLINE DRAWING



NOTES:

1. Exhaust tube must not extend beyond flanges more than  $\frac{3}{16}$  inches.
2. The 6795 uses two gaskets as shown.