



# Tetrode Type CR 176

(HF POWER AMPLIFIER)

**General.** The CR 176 is a forced-air-cooled power tetrode. The anode, which forms part of the valve envelope, is fitted into a radiator for forced air-cooling. The screen grid is mounted from the metal header to provide efficient shielding and a low inductance connection.

The external grid and filament seals must not exceed a temperature of 140°C; cooling is not usually necessary to maintain these conditions.

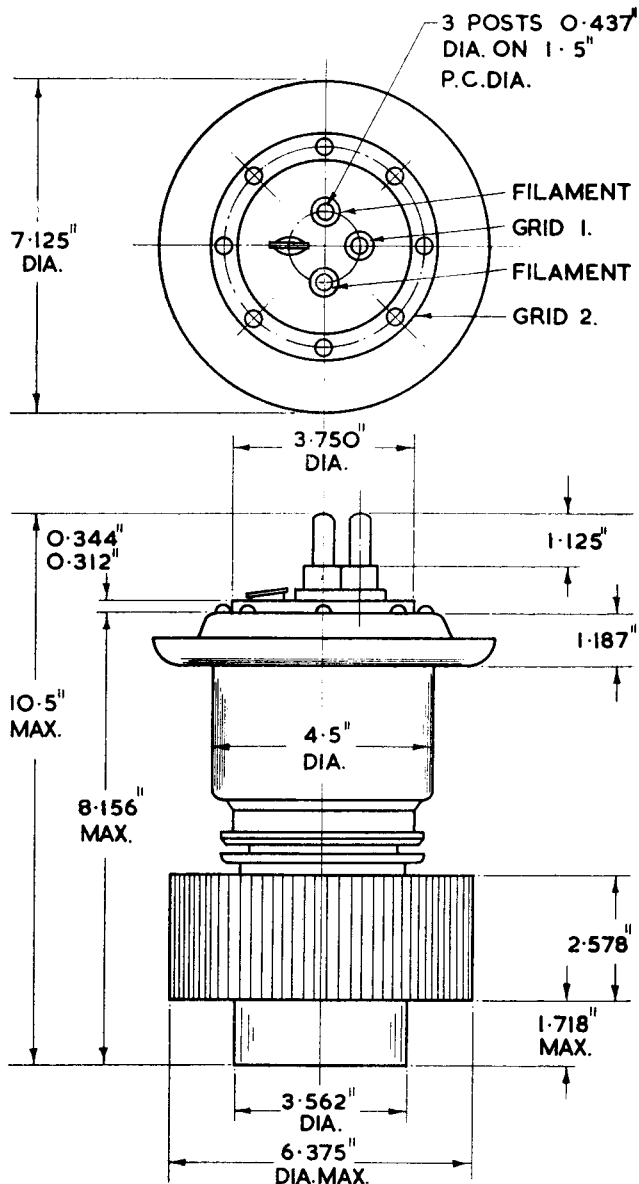
## APPROXIMATE DATA

$V_f$	5	V	
$I_f$	64	A	
$I_{e(pk)}$	10	A	
$V_a$	7.5	kV	
$P_a$	3.5	kW	
$V_{g2}$	1.5	kV	
$P_{g2}$	200	W	
$P_{g1}$	25	W	
$\mu_{g1-g2}$	} taken at $V_a$ 3 kV $I_a$ 1 A $V_{g2}$ 1.5 kV {	} 4.4 mA/V	
$g_m$			7
$f$ (at full ratings)			30 Mc/s
$C_{in}$	40	pF	
$C_{out}$	14	pF	
$C_{a-g1}$	0.4	pF	

## OPERATING NOTES

Thoriated Tungsten Filament. The valve must be operated at the stated filament voltage.

The filament current must not exceed 160 A, even momentarily, at any time.



THIRD ANGLE PROJECTION  
USED ON THIS DRAWING.

MARCONI'S WIRELESS TELEGRAPH COMPANY LIMITED

Chelmsford, Essex, England. Telephone: Chelmsford 3221. Telex: 1953. Telegrams: Expanse Chelmsford Telex

