

CENTRAL ELECTRONIC

MANUFACTURERS

DENVILLE, NEW JERSEY

POWER
TRIODE

TYPE

6366

PLATE DISSIPATION
—3KW

POWER TRIODE

DESCRIPTION

The Nucor tube type 6366 is a forced-air-cooled, three electrode tube, specifically designed for use as an industrial oscillator. The anode is capable of dissipating 3 kilowatts. It features a sturdily-supported, double-spiral, thoriated tungsten filament. Rugged kovar grid and filament seals insure greater protection against mechanical stress and shock. The wide spacing between elements and the high efficiency, low pressure radiator are additional features of this tube. Flexible leads constructed of O.F.H.C. copper can be modified to individual customer requirements.

Full input ratings apply to 30 mc. Reduced ratings as indicated, are applicable for useful power outputs extending to 50 mc.

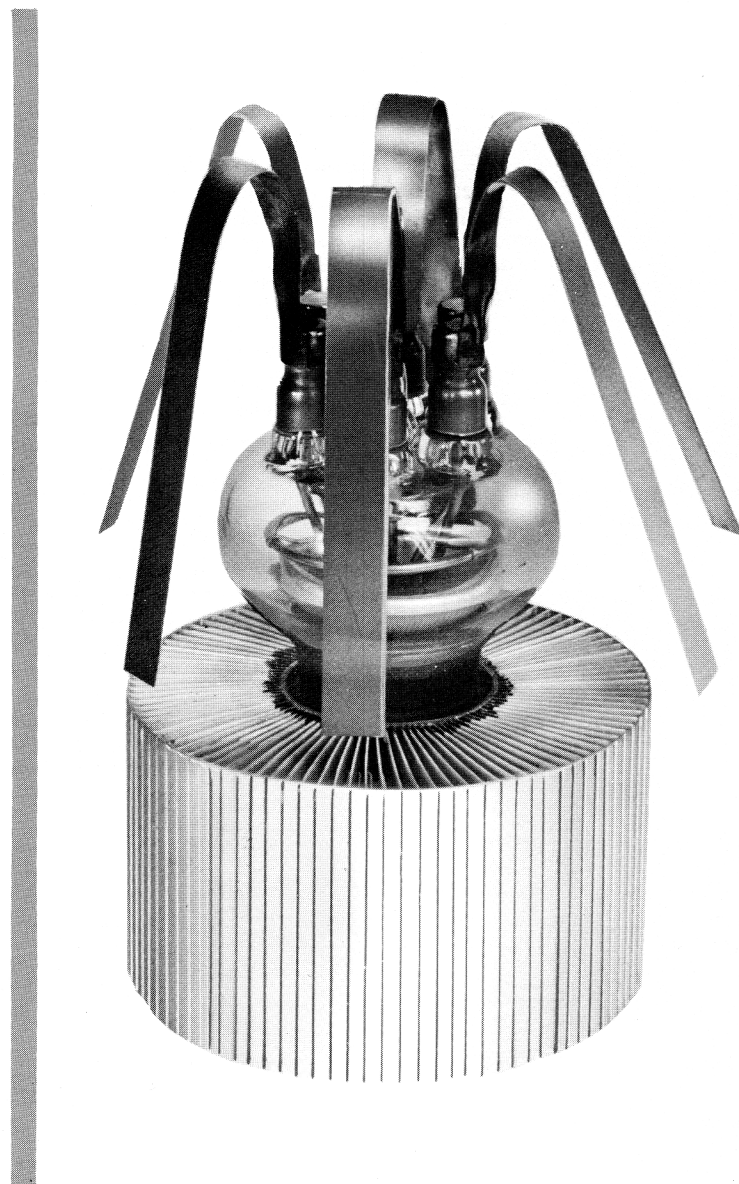
SPECIFICATIONS

ELECTRICAL:

Filament Voltage	11 Volts
Filament Current	29 Amperes
Amplification Factor	25
$E_c = -200V, I_b = 0.2 A$		
Interelectrode Capacitances		
Grid-Plate	13 $\mu\mu f$
Grid-Filament	14.5 $\mu\mu$
Plate-Filament	1.7 $\mu\mu f$

PHYSICAL:

Mounting Position — Vertical, Anode Down					
Type of Cooling — Forced Air					
Maximum Incoming Air Temperature				45°C
Required Air Flow on Anode					
Plate Dissipation (Kilowatts)	3	2.4	1.8		
Air Flow—Cubic Feet per min	190	125	75		
Pressure — Inches Water	1.21	0.58	0.26		
Maximum Glass Temperature			150°C	
Net Weight, Approximate			4¼ pounds	



MAXIMUM RATINGS AND TYPICAL OPERATING CONDITIONS

RADIO-FREQUENCY POWER AMPLIFIER AND OSCILLATOR -- CLASS C TELEGRAPHY

(Key-down conditions per tube without amplitude modulation)†

MAXIMUM RATINGS, ABSOLUTE VALUES

DC Plate Voltage	5,500 Volts
DC Grid Voltage	-1,500 Volts
DC Plate Current	1.3 Amperes
DC Grid Current	0.15 Amperes
Plate Input	7 Kilowatts
Plate Dissipation	3 Kilowatts

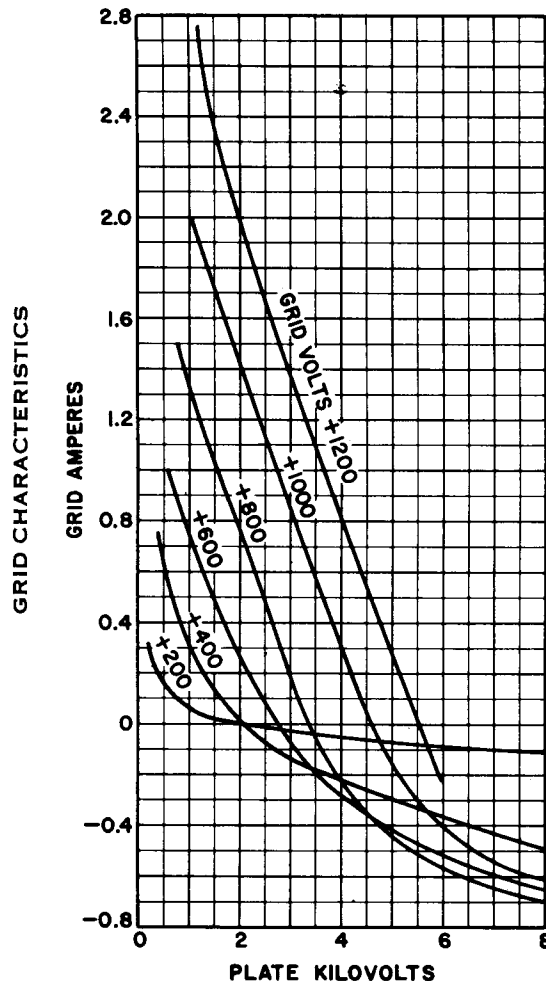
TYPICAL OPERATION

DC Plate Voltage	4,500	5,000 Volts
DC Grid Voltage	-500	-600 Volts
Peak R-F Grid Voltage	1,100	1,300 Volts
DC Plate Current	1.0	1.2 Amperes
DC Grid Current, Approximate	0.12	0.13 Amperes
Driving Power, Approximate	120	160 Watts
Power Output, Approximate	3.0	4 Kilowatts

† Modulation essentially negative may be used if the positive peak of the envelope does not exceed 115 per cent of the carrier conditions.

MAXIMUM RATINGS vs. OPERATING FREQUENCY

Frequency	30	50 Megacycles
Percentage of Maximum Rated Plate Voltage and Plate Input Class C — Telegraphy	100	75 Per Cent



CONSTANT CURRENT CHARACTERISTICS

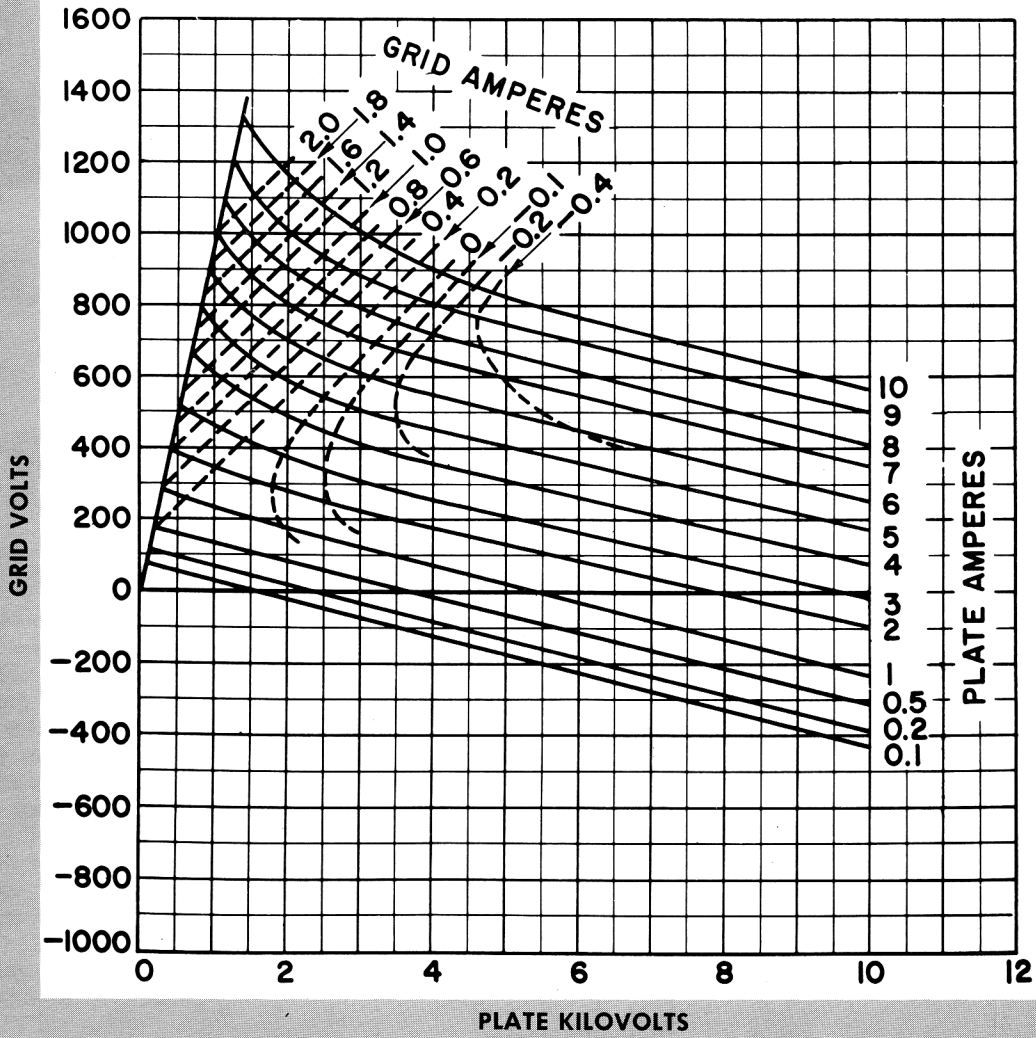
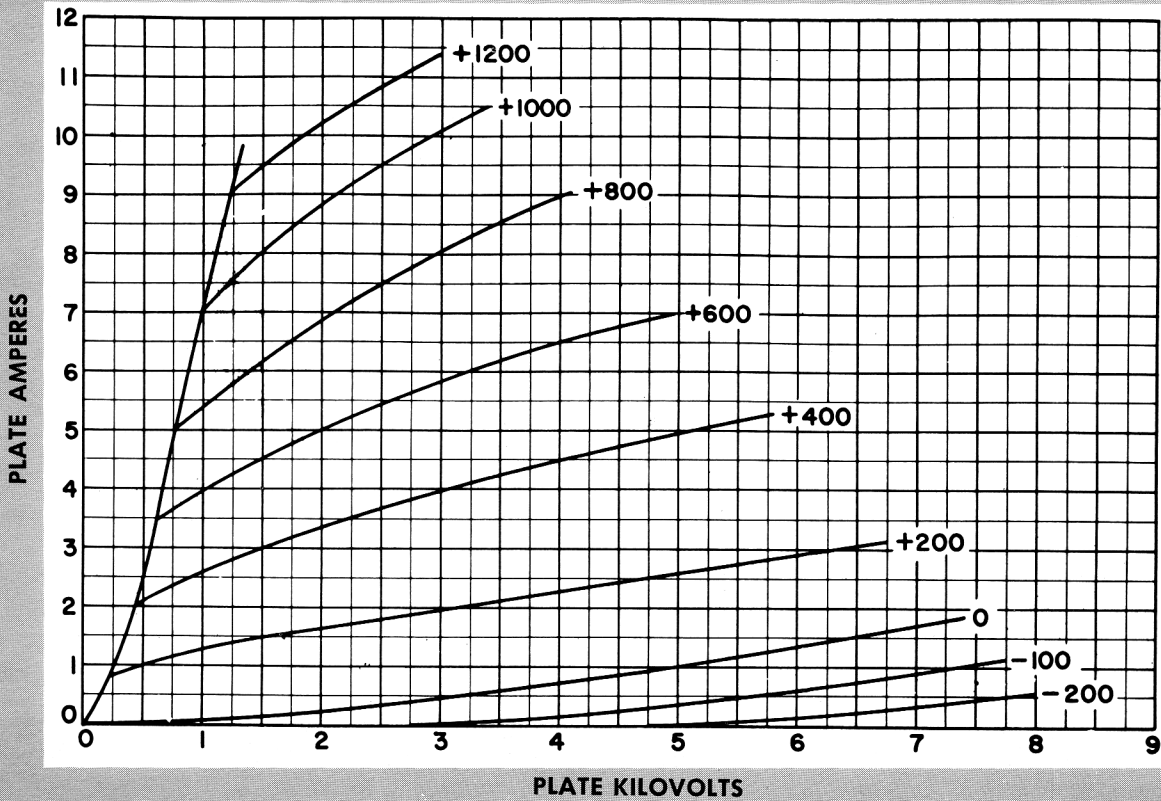


PLATE CHARACTERISTICS



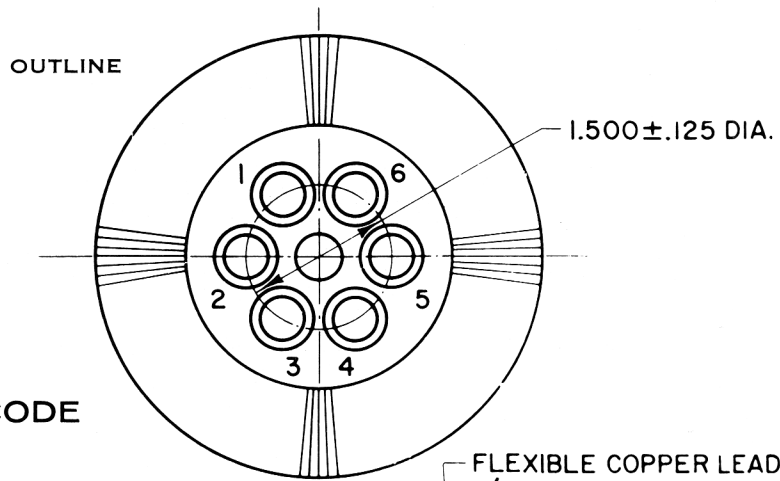
POWER
TRIODE
TYPE
6366

PLATE DISSIPATION
—3KW

CENTRAL ELECTRONIC

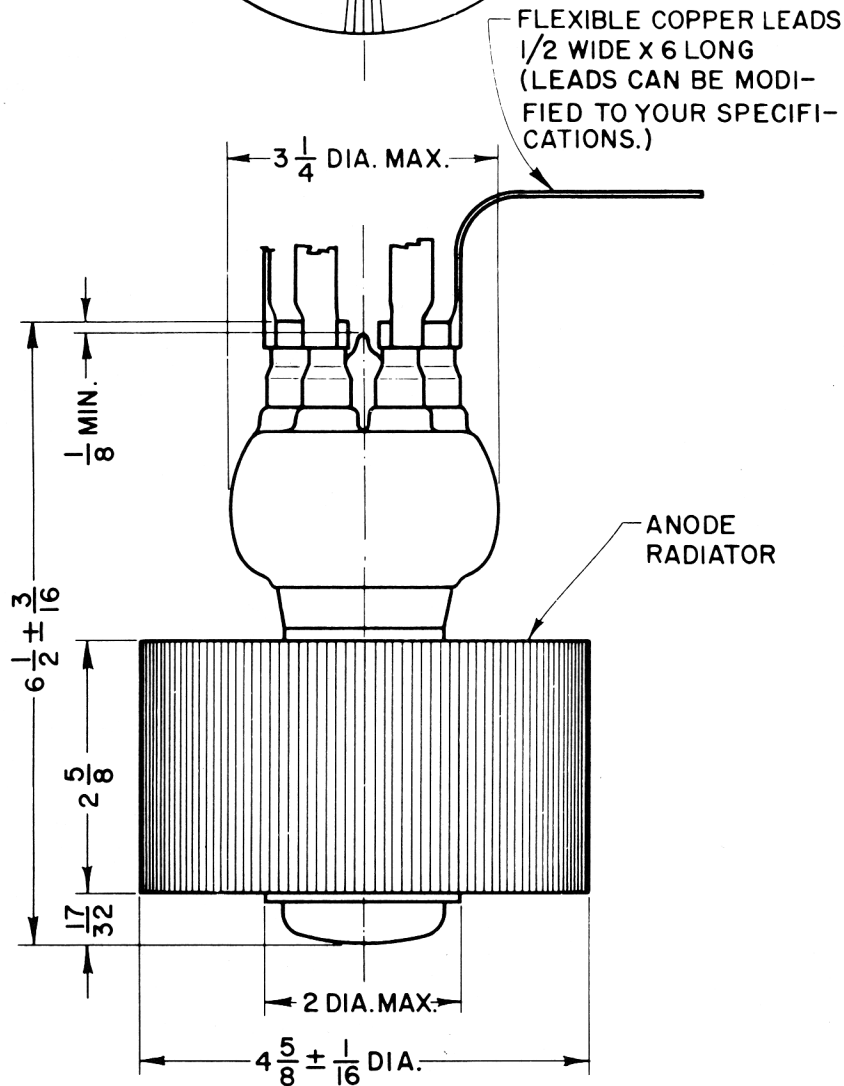
MANUFACTURERS

DENVILLE, NEW JERSEY



TERMINAL COLOR CODE

- 1=GRID -- BLACK
- 2=FIL. -- YELLOW
- 3=GRID -- BLACK
- 4=F.C.T. -- RED
- 5=GRID -- BLACK
- 6=FIL. -- YELLOW



DIVISION OF NUCLEAR CORPORATION OF AMERICA