

CHARACTERISTICS

GENERAL DATA

| | |
|-----------------------------|---------------|
| Focusing Method | Electrostatic |
| Deflecting Method | Electrostatic |
| Phosphor | P1 |
| Fluorescence | Green |
| Persistence | Medium |
| Faceplate | Clear |

ELECTRICAL DATA

| | |
|--|----------------------|
| Heater Voltage | 6.3 Volts |
| Heater Current (approx.) | 0.6 Ampere |
| Direct Interelectrode Capacitances (approx.) | |
| Cathode to All Other Electrodes | 8.0 $\mu\mu\text{f}$ |
| Grid to All Other Electrodes | 8.5 $\mu\mu\text{f}$ |
| Between Deflecting Plates 1-2 ¹ | 2.0 $\mu\mu\text{f}$ |
| Between Deflecting Plates 3-4 ¹ | 2.0 $\mu\mu\text{f}$ |
| Deflecting Plate 1 to All Other Electrodes Except DP2 | 6.0 $\mu\mu\text{f}$ |
| Deflecting Plate 2 to All Other Electrodes Except DP1 | 5.0 $\mu\mu\text{f}$ |
| Deflecting Plate 3 to All Other Electrodes Except DP4 | 4.0 $\mu\mu\text{f}$ |
| Deflecting Plate 4 to All Other Electrodes Except DP3 | 6.0 $\mu\mu\text{f}$ |

MECHANICAL DATA

| | |
|--|------------------------------|
| Minimum Useful Screen Diameter | 2 $\frac{3}{4}$ Inches |
| Base | Medium Shell Diheptal 12-Pin |
| Basing | 14G |

RATINGS

MAXIMUM RATINGS (Absolute Values)

| | |
|--|-----------------|
| Anode No. 2 Voltage | 2,200 Volts d c |
| Anode No. 1 Voltage | 1,100 Volts d c |
| Grid Voltage | |
| Negative Value | 200 Volts |
| Positive Value | 0 Volts |
| Peak Heater-Cathode Voltage | |
| Heater Negative with Respect to Cathode | 125 Volts |
| Heater Positive with Respect to Cathode | 10 Volts |
| Peak Voltage Between Anode No. 2 And Any Deflection Plate | 550 Volts |

RECOMMENDED OPERATING CONDITIONS

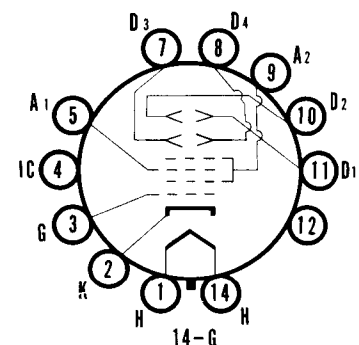
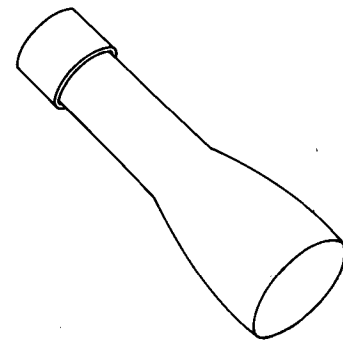
| | |
|---|----------------------|
| Anode No. 2 Voltage ² | 2,000 Volts d c |
| Anode No. 1 Voltage for Focus | 400 to 690 Volts d c |
| Grid Voltage Required for Cutoff ³ | -30 to -90 Volts d c |
| Deflection Factor | |
| Deflecting Plates 1-2 ⁴ | 200 Volts d c/Inch |
| Deflecting Plates 3-4 ⁵ | 148 Volts d c/Inch |

CIRCUIT VALUES

| | |
|---|------------------|
| Grid Circuit Resistance | 1.5 Megohms Max. |
| Deflection Circuit Resistance | 5.0 Megohms Max. |

QUICK REFERENCE DATA

Special Purpose Tube
3" Direct Viewed
Round Glass Type
Electrostatic Deflection
Electrostatic Focus



SYLVANIA ELECTRIC PRODUCTS INC.

TELEVISION PICTURE TUBE DIVISION
SENECA FALLS, NEW YORK

*Prepared and Released By The
TECHNICAL PUBLICATIONS SECTION
EMPORIUM, PENNSYLVANIA*

SYLVANIA

3BP1A

NOTES:

1. Deflecting Plate 1 is Pin No. 11
Deflecting Plate 2 is Pin No. 10
Deflecting Plate 3 is Pin No. 7
Deflecting Plate 4 is Pin No. 8
2. Brilliance and definition decrease with decreasing Anode No. 2 Voltage. In general, Anode No. 2 Voltage should not be less than 1500 volts.
3. Visual extinction of undeflected focused spot.
4. Deflecting Plates 1-2 are nearer the screen.
5. Deflecting Plates 3-4 are nearer the base.

