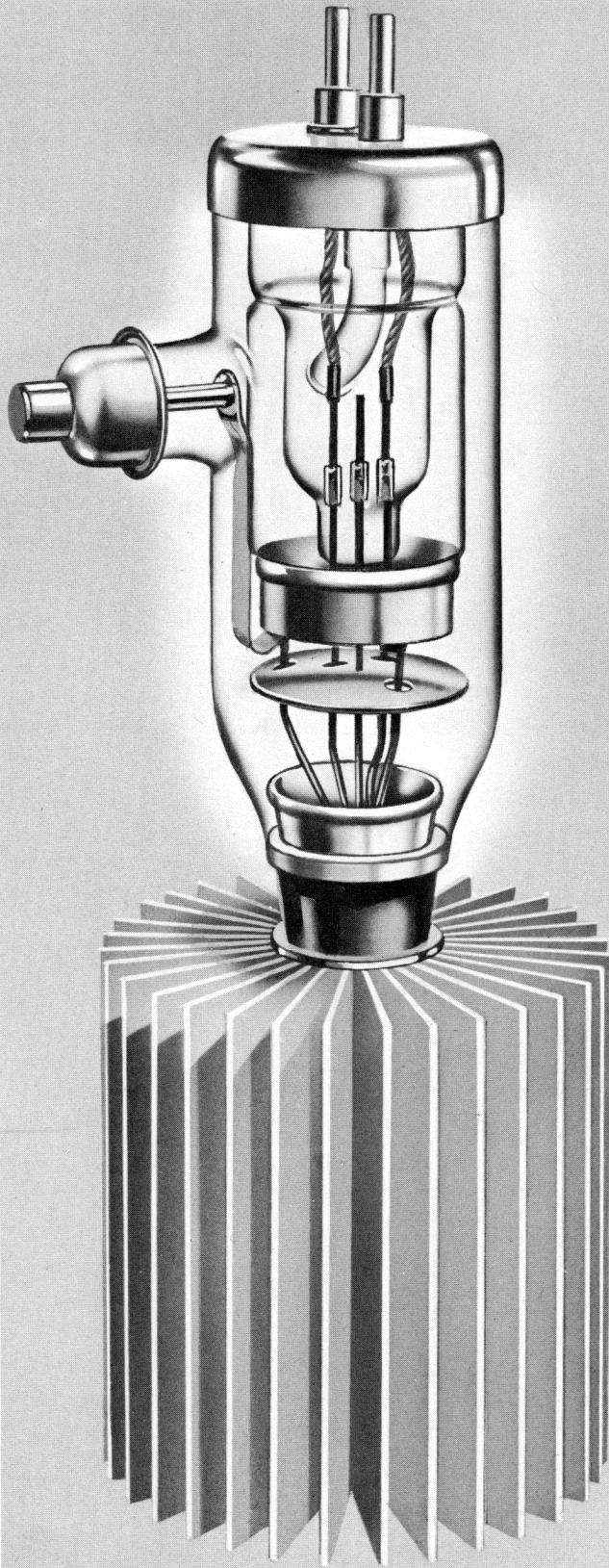


# FEDERAL POWER TRIODE Type F-343-AA 5 Kilowatts Plate Dissipation



## GENERAL DATA

### DESCRIPTION:

The Type F-343-AA made by Federal is a three-electrode tube designed for use as a R-F power amplifier, oscillator, and Class B modulator. The anode, cooled by forced air, is capable of dissipating 5 kilowatts. The cathode is a pure tungsten filament. Maximum ratings apply up to 4 megacycles.

### Electrical:

▶ Filament Voltage	21.5 Volts
▶ Filament Current	57.5 Amperes
▶ Filament Starting Current	115.0 Amperes
▶ Peak Cathode Current	8 Amperes
▶ Amplification Factor, at $I_b = 0.50$ amp. $E_b = 10,000$ volts	40
▶ Interelectrode Capacitances	
Grid-Plate	23.5 $\mu\mu\text{f}$
Grid-Filament	16.6 $\mu\mu\text{f}$
Plate-Filament	1.9 $\mu\mu\text{f}$

### Mechanical:

▶ Mounting Position—	Vertical, Anode Down
▶ Required Air Flow on Anode	
Plate Dissipation (Kilowatts)	5
Air Flow—Cubic Feet Per Min.	600
Maximum Glass Temperature	150° C
▶ Net Weight, approximate	45 Lbs.

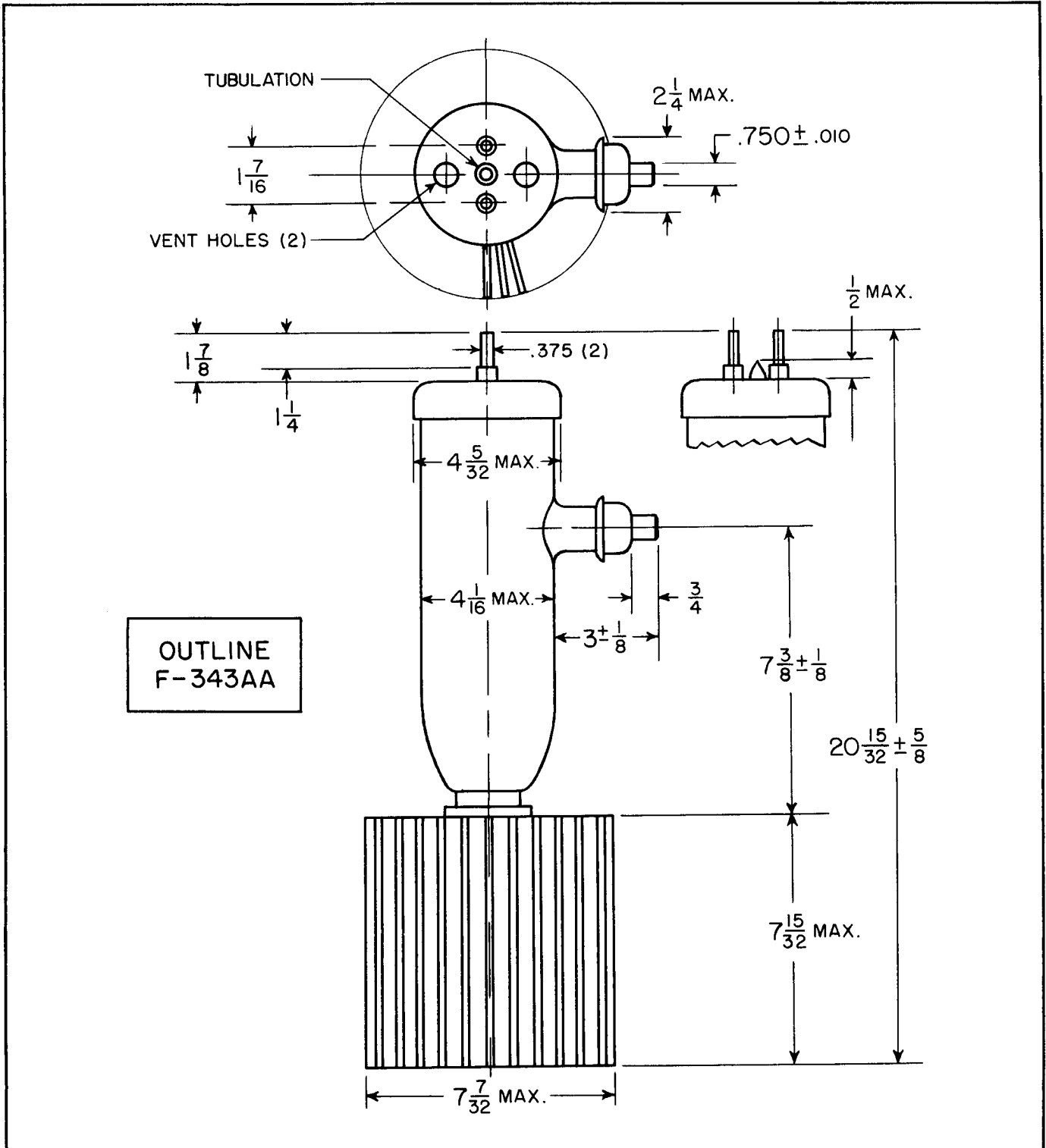
For Characteristic Curves refer to Catalog Sheet F-343-A.

Except for reduction of plate dissipation to 5KW, Maximum Ratings and Typical Operation of F-343-A apply.

**FEDERAL POWER TRIODE**  
**Type F-343-AA**  
**5 Kilowatts Plate Dissipation**



Federal tubes have always been known for their *plus values*: an extra rugged construction, a longer life of service.



*Federal Telephone and Radio Company*

100 Kingsland Road VACUUM TUBE DEPARTMENT Clifton, New Jersey