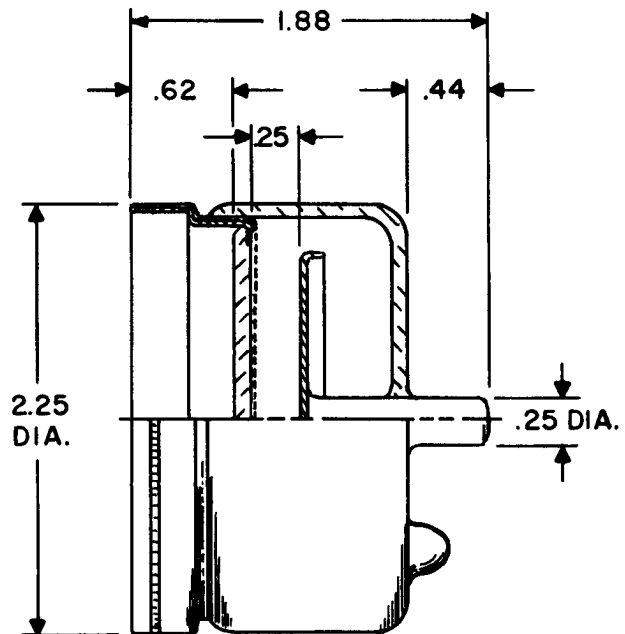


HIGH-CURRENT PHOTOTUBE

FW-114

A PRODUCT OF ITT LABORATORIES

Nutley, N. J. • Fort Wayne, Ind. • Chicago, Ill. • San Fernando and Palo Alto, Calif.



The FW-114 High-Current Phototube has a current output linear from 10^{-9} ampere to 25 amperes

The FW-114 is a biplanar type photodiode designed for close optical coupling to a flat disc scintillator accommodated in the face-plate cavity of the tube. It is one of a family of high current capacity phototubes developed by ITTL which have become standard items for measurement of high-density gamma radiation of short time duration. Using a scintillation phosphor, the FW-114 phototube can be used to monitor cosmic rays, X rays, and nuclear particles. Since the dark current at 2500 volts is 10^{-9} ampere (average) and the output of the tube is linear up to 25 amperes, the maximum

dynamic range of the FW-114 is 2.5×10^{10} . The useful dynamic range is therefore limited only by the characteristics of the associated circuitry. Two other sizes available are the FW-127, which is 5 inches in diameter, and the FW-128, which is 1- $\frac{1}{4}$ inches in diameter.

Other tubes of this type available from ITTL are the FW-100, where the scintillator takes the form of a cylinder surrounding the tube, and the FW-104, where radiation from the scintillator enters the phototube through a circular window.

For further information and detailed technical specifications write to the Director, Components and Instrumentation Laboratory, ITT Laboratories, 3700 E. Pontiac St., Fort Wayne, Indiana.