

RCA-1960 PROTECTIVE TUBE

The RCA-1960 is designed for use as a protective tube. The voltage characteristics shown under TENTATIVE DATA apply only for 60-cycle sine-wave operation. Normal variations in ambient temperature have negligible effect on the tube's performance.

TENTATIVE DATA

INTERELECTRODE CAPACITANCE
DIMENSIONS
MOUNTING
MOUNTING POSITION
TERMINALS

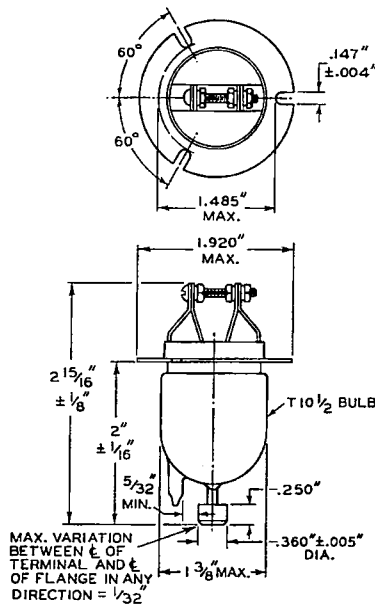
1.35 μ f
See *OUTLINE DRAWING*
Special
Any
Cap and flange

Characteristics Measured on 60-Cycle Sine-Wave Supply

PEAK SUPPLY VOLTAGE	425 min. Volts
PEAK INITIAL BREAKDOWN VOLTAGE (tube cold)	425 max. Volts
PEAK RECURRENT BREAKDOWN VOLTAGE*	285 max. Volts
TUBE VOLTAGE DROP*	175 Volts

* With tube current of 30 ma.

NOTE: The energy dissipated in the tube should not be sufficient to establish a sustained arc.



92C-6332