

Security Classification: Confidential

Type 2J62-A Tentative
Tunable Magnetron

GENERAL CHARACTERISTICS

Electrical

Cathode	Coated Unipotential
Filament voltage	6.3 volts
Filament current	1.5 amps
Frequency Range	2967 \pm 55 Mc
Magnetic Field Strength	1300 gauss
Peak anode voltage	10,000 volts
Power output at .002 duty cycle and 12.5	60 watts

Mechanical (Note)

Maximum Dimensions - see outline drawing
Base Connections - see outline drawing
Mounting position - any

Maximum Ratings

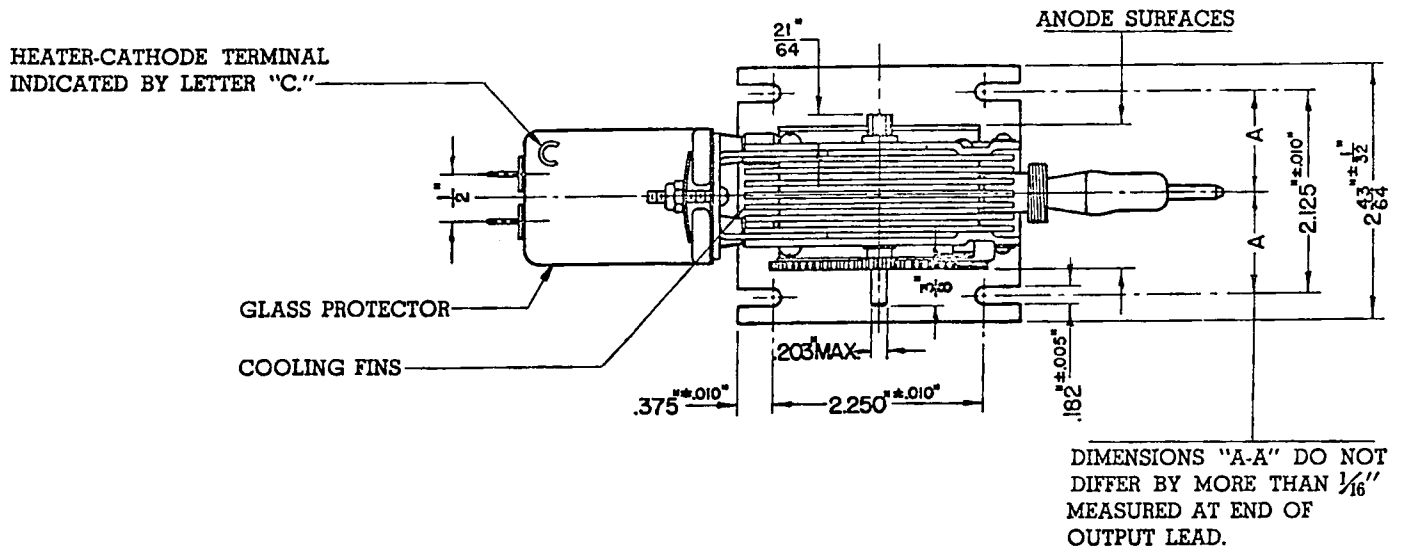
Duty Cycle *	.002
Peak Anode Voltage	14,000 volts
Peak Anode Current	15 amps
Anode dissipation	200 watts
Anode temperature	100 C degrees

* In any 100 microsecond interval, the tube shall not be operated longer than 5 microseconds.

Note: Type 2J62-A is ruggedized version of 2J62. The two types are completely interchangeable.

Sponsor: Raytheon Manufacturing Company - Power Tube Division

TECHNICAL INFORMATION
 TUNABLE MAGNETRON OSCILLATOR
 OUTLINE DRAWING



GEAR ASSEMBLED WITH STOP DEVICE TO PERMIT TWO TURNS (700 DEGREES) FOR TUNING.

ANODE AND GLASS PROTECTOR WILL PASS FREELY BETWEEN PARALLEL PLANES 1.490" APART WHEN CENTERED WITH RESPECT TO THE MOUNTING SLOTS.

OUTPUT COUPLING THREAD
 .625"-27 N.S.F. THD.

MAJ. DIA. .6250"-.6168"
 PITCH DIA. .6018"-.5987"
 MINOR DIA. .5812"-.5755"

SPLINE, .250" LONG, WITH 12 TEETH; 48 PITCH, AND .250" PITCH DIA.

TUNING GEAR (72 TEETH)

