

METAL TUBES



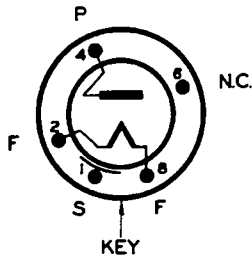
KEN-RAD-2W3

Page One

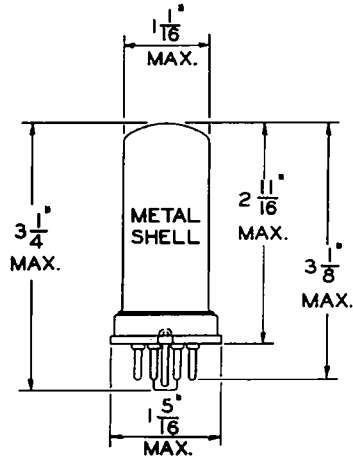
GENERAL DESCRIPTION

Application: The Ken-Rad 2W3 is a filament type half-wave rectifier designed for application where the total "B" drain is not high. The base is of the small octal type and the tube elements are enclosed in a metal shell which is connected to one of the base pins.

Physical Characteristics:



Bottom View



RATINGS AND CHARACTERISTICS

Filament:

Voltage
Current

2.5 Volts A.C.
1.5 Amperes

HALF-WAVE OPERATION

A.C. Plate Voltage (RMS)
D.C. Load Current

350 Volts Max.
55 Ma. Max.

from RMA release #148, May 2, 1938