

JOINT ELECTRON TUBE ENGINEERING COUNCIL

Joint Electron Tube Engineering Council

Data Sheet

Electron Tube Type 5695

The 5695 is a single-ended mercury-vapor half-wave rectifier for use in high-voltage rectifier circuits.

Maximum Ratings, Absolute Values

Maximum Peak Inverse Anode Voltage	5000 Volts
Maximum Cathode Current	
Peak	0.600 Amperes
Average	0.150 Amperes
Surge (Maximum duration 0.1 second)	12 Amperes
Maximum Averaging Time	30 Seconds
Maximum Frequency	150 Cycles/Sec.
Condensed Mercury Temperature Limits	20-60° Centigrades

Electrical Data

	<u>Min.</u>	<u>Bogey</u>	<u>Max.</u>
Filament Voltage	2.25	2.5	2.66 Volts
Filament Current at 2.5 volts	XX	3.0	3.3 Amperes
Cathode heating time, required	16	XX	XX Seconds
anode Voltage Drop	XX	15	XX Volts
Critical Anode Voltage	XX	XX	Volts

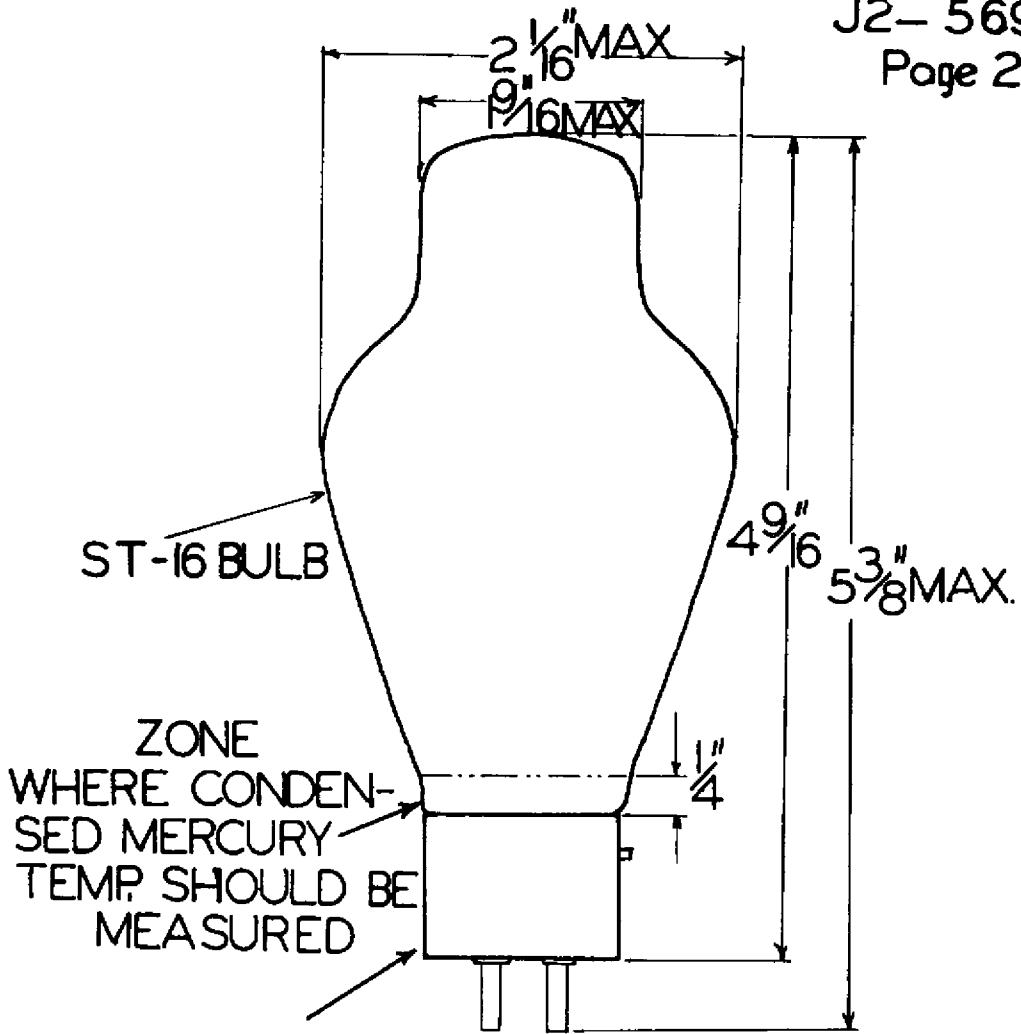
Mechanical Data

Type of Cooling	Convection
Equilibrium Condensed Mercury	
Temperature Rise Over Ambient	
No Load (approximate)	28° Centigrade
Full Load (approximate)	36° Centigrade
Mounting Position	Vertical, base down
Net Weight, maximum	2.2 Ounces

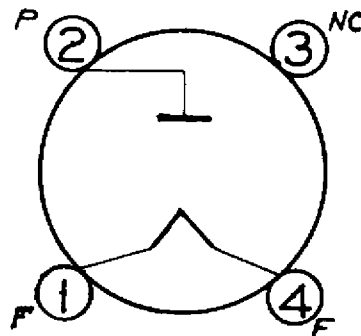
(JTC2-2761-A-16)



J2-5695
 Page 2



MEDIUM 4-PIN
 BAYONET BASE
 MICANOL
 A 4-10



P- PLATE
 F- FILAMENT
 NC- NO CONNECTION
 • GAS TUBE TYPE.

BOTTOM VIEW
 of SOCKET CONNECTIONS

