

JETEC TYPE DESIGNATION REGISTRATION FORM

PRE-TR TUBE

Manufacturer's Designation: BL-96A  
JETEC Designation: 6605  
Manufacture: Bomac Laboratories, Inc.  
Beverly, Massachusetts

March 7, 1957

GENERAL CHARACTERISTICS

The 6605 is a Pre-TR gas switching tube designed to supplement the standard TR tube at moderate and high power levels and is used to prevent crystal burnout resulting from magnetron sparking. It consists of a quarter wave section of waveguide with low Q windows sealed at the ends. When fired the gas discharge spreads across the entire input window, and provides the necessary attenuation at all frequencies to reduce the harmonic magnetron frequencies associated with magnetron sparking to a safe level. At the same time, the arc voltage is high enough so that the energy leaking through the tube is sufficient to reliably fire the TR tube. Its operational band is from 1250 to 1350 Megacycles.

ELECTRICAL DATA - TYPICAL VALUES

**Operational Band**

VSWR 1.4 maximum	1250 to 1350 Mc/s
VSWR 1.2 maximum	1265 to 1335 Mc/s

**Average Leakage Power**

F=1300 Mc; po=2000 kw;	50 mw (max.)
tp=4.0 μs; prr=250 pps	10 mw (min.)

Insertion Loss (max.) at F=1300 Mc	0.4 db
------------------------------------	--------

Recovery Time (max.) at 2000 kw peak 3 db down	45 μs
--	-------

High Level VSWR (max.)	1.2
------------------------	-----

F=1300 Mc; po=500 kw;	
tp =4μs; prr=250 pps	

MECHANICAL DATA - GENERAL

Mounting Position	Any
Pressurization	25 psia
Weight, approximately	5 lbs.

**ABSOLUTE MAXIMUM RATINGS**

**Transmitter Peak Power**

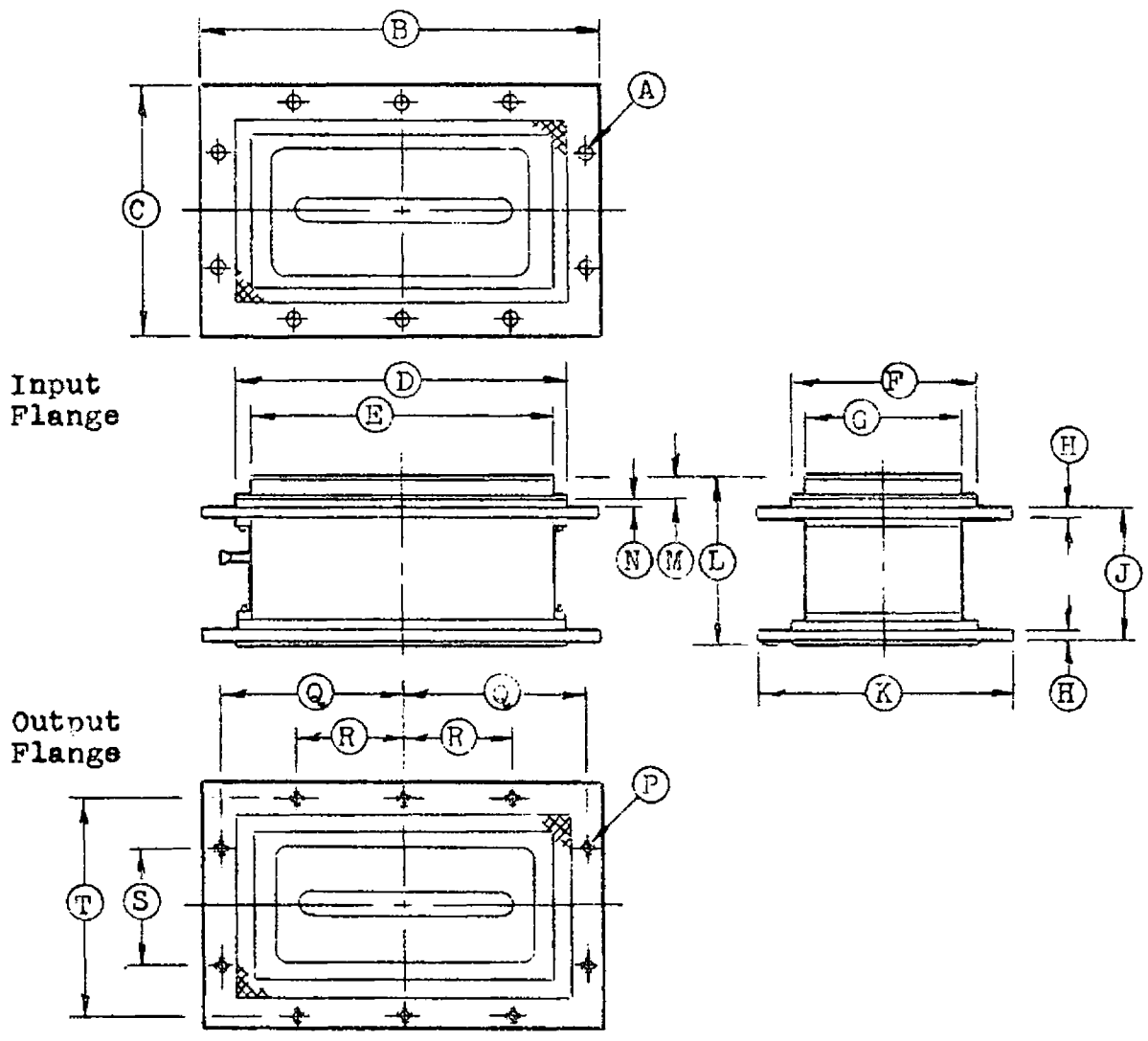
**2000 kw**

**Transmitter Average Power**

**2000 W**

**OUTLINE DRAWING**

**As per attached drawing dated 3-26-56**



Input Flange

Output Flange

Ref.	Dimension	Ref.	Dimension
A	0.348 Dia. 10 Holes	K**	5 7/16
B**	8 11/16	L	3.600 Max.
C**	5 7/16	M*	0.375 +.015 -.005
D	7.365 ±.010	N*	0.250 ±.010
E	6.725 Max.	P	5/16-18NC 10 Holes
F	4.115 ±.010	Q*	3.938 ±.008
G	3.475 Max.	R*	2.375 ±.008
H**	0.250 ±.010	S*	2.500 ±.008
J	2.820 ±.045	T**	4.626 ±.008

**SPECIFICATION SHEET**

Outline

BL-96, 6605/BL-96A

BOMAC LABORATORIES INC.  
SALEM ROAD  
BEVERLY, MASSACHUSETTS

3-26-56 clr