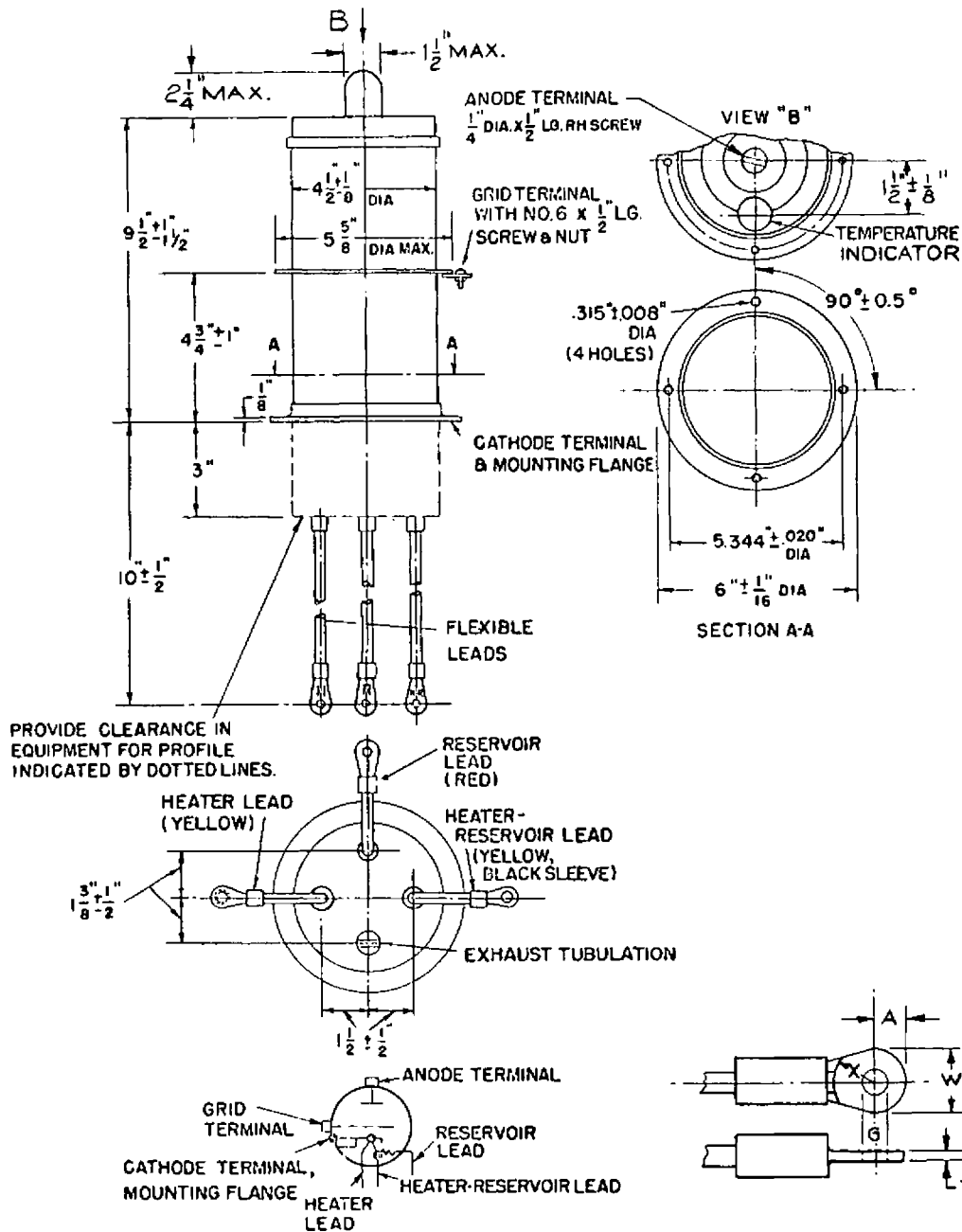


from JEDEC release #3065,
 Dec. 12, 1960
 Electrically the same as 7390,
 release #2520.

7390-A

7390A
 Page 1
 11-60

HYDROGEN THYRATRON



PRESSURE-TYPE LUGS (WITH INSULATING SLEEVES)

LEADS	LUG DESIGNATION	G INCHES	W INCHES	A INCHES	X INCHES	T INCHES
RESERVOIR	# 10	.187 TO .207	.395 MAX.	.200 MAX.	.275 MIN.	.060 MAX.
HEATER-RESERVOIR	$\frac{1}{4}$ "	.260 TO .313	.605 MAX.	.305 MAX.	.380 MIN.	.060 MAX.
HEATER	$\frac{1}{4}$ "	.260 TO .313	.605 MAX.	.305 MAX.	.380 MIN.	.060 MAX.

NOTE: THERE SHALL BE NO OBSTRUCTION WITHIN THE DISTANCE OF "X" FROM THE CENTER OF THE LUG SCREW HOLE.