



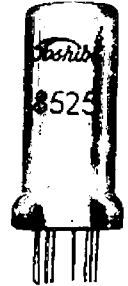
TOSHIBA ELECTRON TUBE

8525

TWIN TRIODE

The Toshiba 8525 is a heater-cathode type medium-mu twin triode of micro metal miniature construction to adapt standard 8-pin subminiature socket.

The tube may be used at frequencies in the uhf region, permitting applications such as vhf oscillators and mixers. It is especially suited for use in industrial and military airborne equipment which may be subjected to severe shock and vibration.



GENERAL DATA

ELECTRICAL :

Cathode: Coated unipotential

Heater voltage	6.3	V
Heater current	0.3	A

Direct interelectrode capacitances:

Grid to plate (each section)	1.4	PF
Input (each section)	2.1	PF
Output (section 1)	1.3	PF
Output (section 2)	1.4	PF

Coupling:

Grid to grid	0.011 max.	PF
Plate to plate	0.33 max.	PF

MECHANICAL :

Operating position	Any
Maximum overall length	1.082"
Maximum seated length	0.867"
Maximum diameter	0.434"
Bulb	Metal shell
Base	E8-9 (ceramic)

MAXIMUM RATINGS; Absolute maximum values: Class A1 amplifier (Each section)

Plate voltage	165 max.	V
Grid voltage			
Positive bias value	0 max.	V
Negative bias value	55 max.	V



TOSHIBA ELECTRON TUBE

Plate current	22 max.	mA
Grid current	5.5 max.	mA
Plate dissipation	0.7 max.	W
Heater-cathode voltage		
Heater positive, total dc and peak	200 max	V
Heater negative, total dc and peak	200 max.	V
Bulb temperature at hottest point on		
bulb surface	220 max.	°C
Altitude	60000 max.	Feet
Grid circuit resistance		
For cathode bias operation	1.1 max.	MΩ

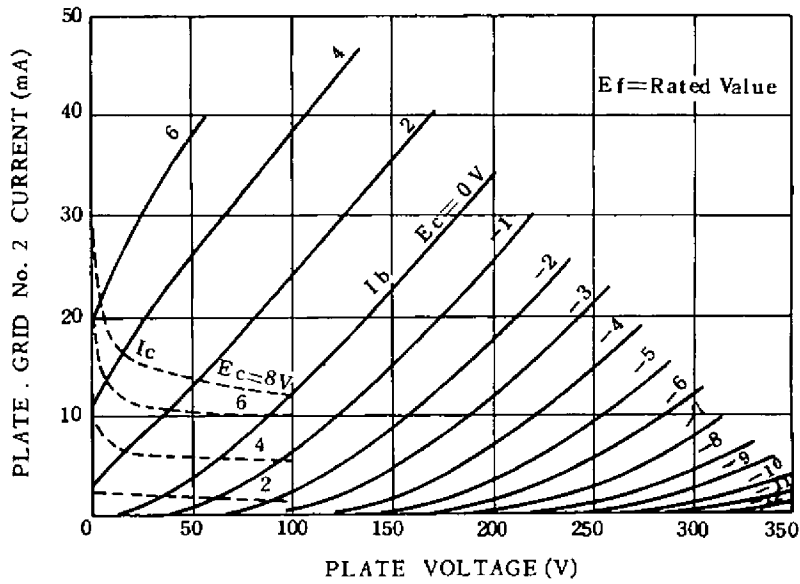
CHARACTERISTICS:

Class A1 amplifier (Each section)

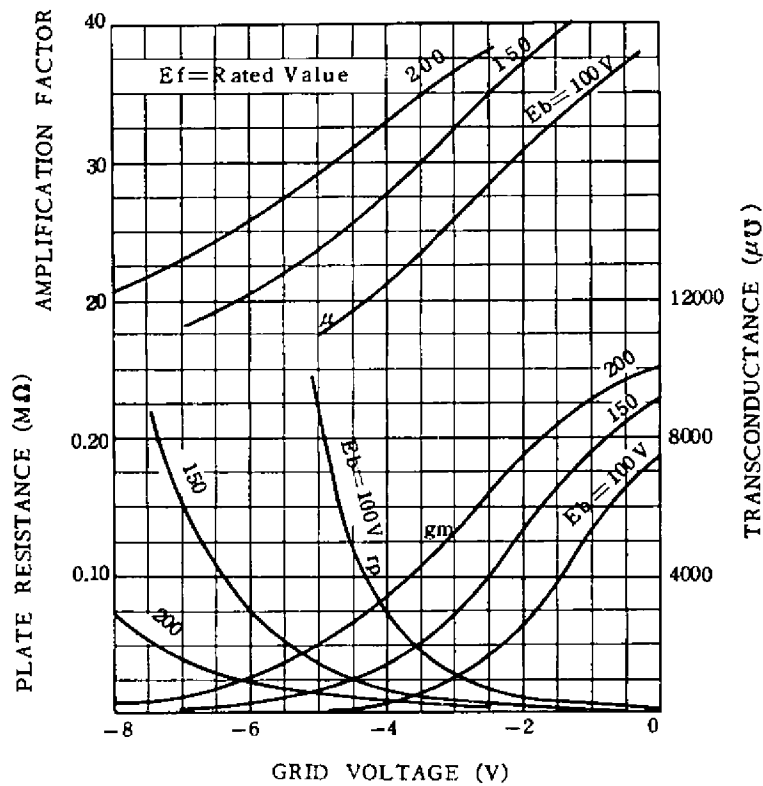
Plate voltage	100	V
Cathode resistor	150	Ω
Amplification factor	35	
Plate resistance (Approx.)	6500	Ω
Transconductance	5400	μU
Plate current	6.5	mA
No. 1 grid voltage (Approx.)	-6.5	V
for plate current of 10 μA		

TOSHIBA ELECTRON TUBE

AVERAGE GRID CHARACTERISTICS



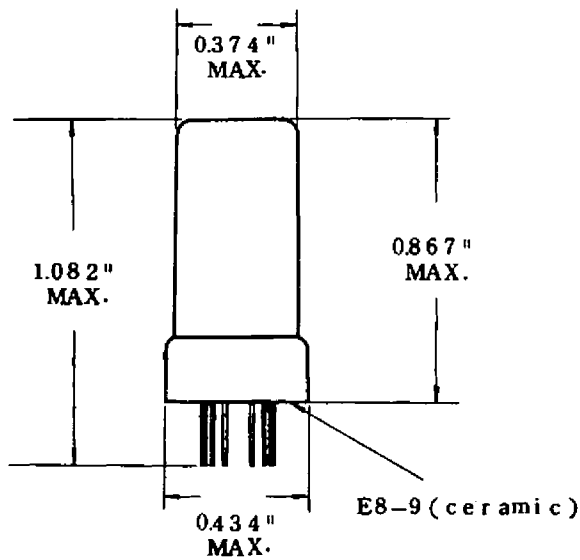
AVERAGE GRID CHARACTERISTICS



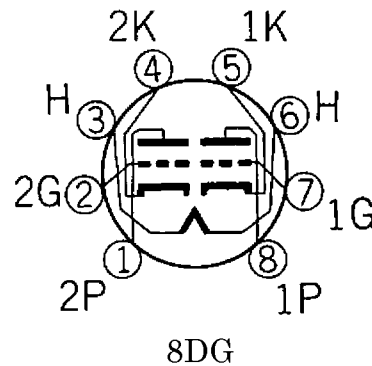
Toshiba

TOSHIBA ELECTRON TUBE

8525
DIMENSIONAL OUTLINE:
Dimensions in Inches



8525
BASING DIAGRAM:
Bottom View



- Pin 1: Section 2 Plate
- Pin 2: Section 2 Grid
- Pin 3: Heater
- Pin 4: Section 2 Cathode
- Pin 5: Section 1 Plate
- Pin 6: Heater
- Pin 7: Section 1 Grid
- Pin 8: Section 1 Plate

All inquiries as to the data should be addressed to Tube and Semiconductor Division,
Tokyo Shibaura Electric Co., Ltd., 12, 1-chome, Yuraku-cho, Chiyoda-ku, Hibiya
Mitsui Building, Tokyo, Japan.